

**SPECIFICATIONS**

**Mechanical**

**Contact Retention Force:** 1.80kgf min.  
**Mating Force:** 340gf max. per Contact Pair  
**Unmating Force:** 28gf min. per Contact Pair  
**Durability:** 500 Cycles

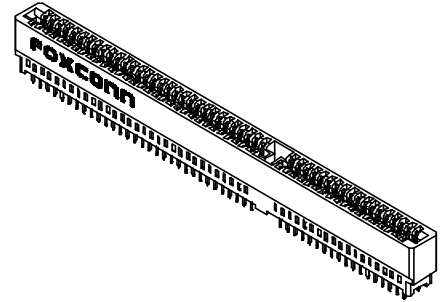
**Electrical**

**Current Rating:** 3A max.  
**Current Voltage:** 250V  
**Contact Resistance:** 15mW max. initial  
**Dielectric Withstanding Voltage:** 1000V  
**Insulation Resistance:** 5000MW min.

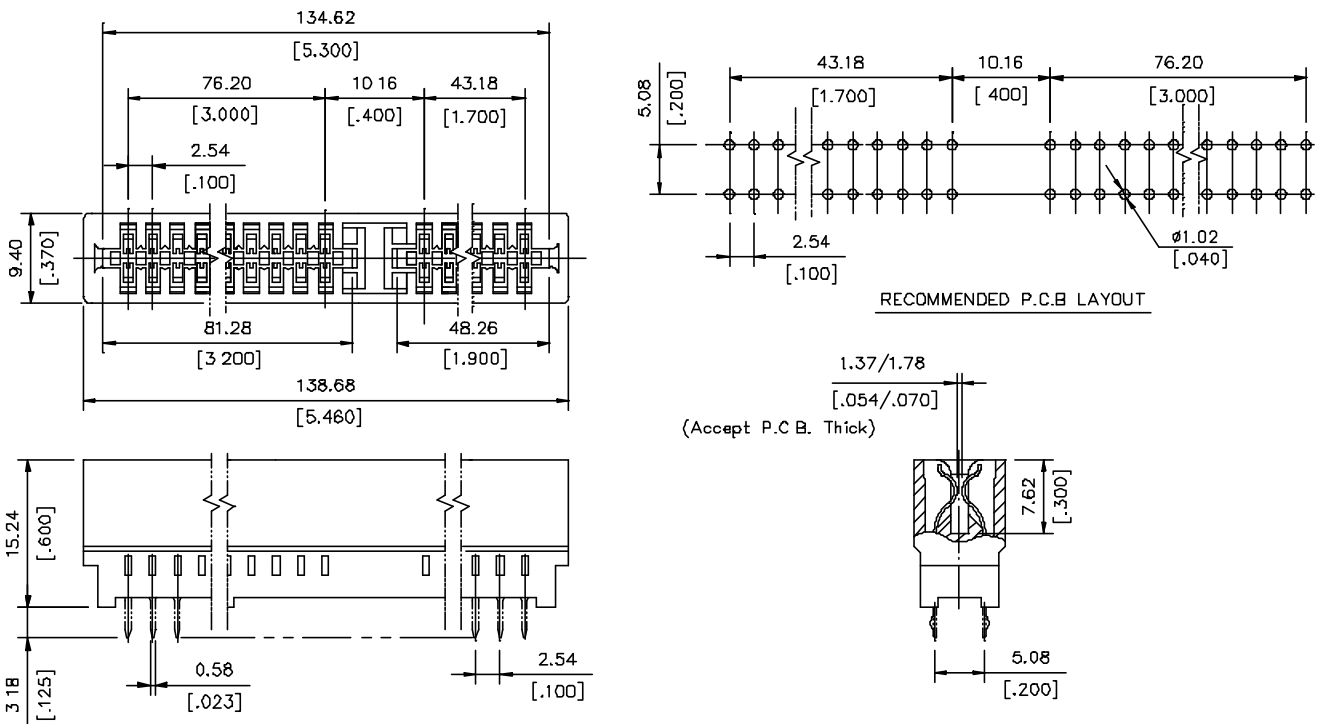
**Physical**

**Housing:** Thermoplastic, UL 94V-0 rated, in Black Color  
**Contact:** Copper alloy  
**Plating:** See "ORDERING INFORMATION"  
**Operating Temperature:** -55 to +85

**ES Series**  
**Vertical Type**  
**2.54mm [.100"] Pitch**  
**98 Pos.**



**DRAWING**



**ORDERING INFORMATION**

PRODUCT NO.: ES 0 4 9 0 \* - TF6 - \*\*

Series Prefix: ES, 0, 4, 9, 0  
 2.54 [.100] Pitch  
 Edge Card Conn.

Termination Type: 0=Straight

No. of Pos.: 49=98 Pos.

Tail Length Type: 0=3.18 [.125]

Plating Type: DN=Tin/Lead, DF=Lead Free

Extension Code: \*

Contact Area Plating: 1=Gold Flash, 2=20u" Gold, 3=30u" Gold, 6=10u" Gold, 7=15u" Gold

ES04906-TF6-**	5-6,51-54,93-94
P/N	Kink Pos.