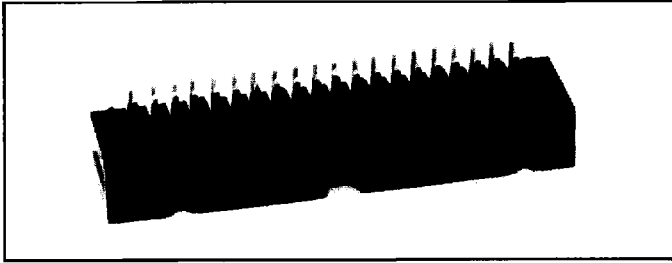


.100" (2.54mm) Dual Row Shrouded Headers



Horizontal Type



PART NUMBER CODING

910X-11-2XX-01

NO. OF POSITIONS PER ROW

5 - 36

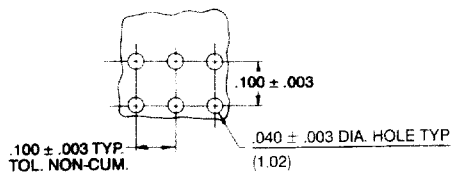
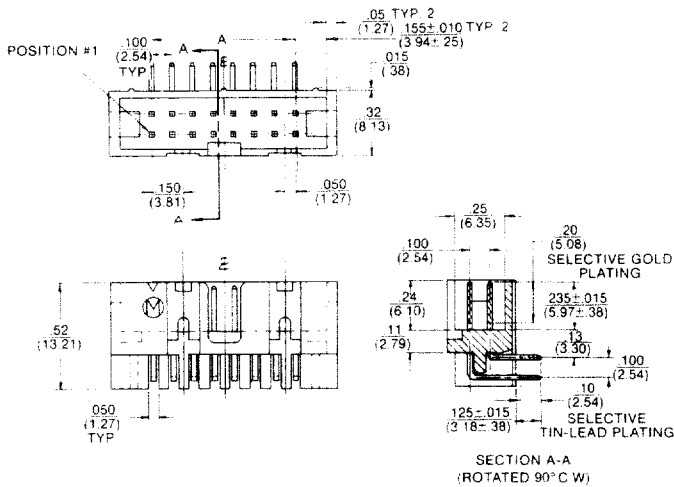
CONTACT FINISH

0 = TIN

8 = .000030 SELECTIVE GOLD

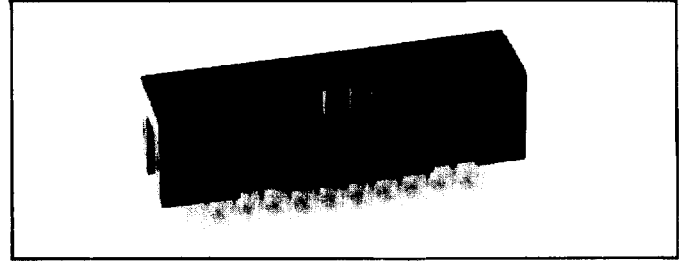
F = .000015 SELECTIVE GOLD

ALL DIMENSIONS ARE IN INCHES
DIMENSIONS IN () ARE IN MILLIMETERS



RECOMMENDED MOUNTING HOLE PATTERN

Vertical Type



PART NUMBER CODING

910X-10-2XX-01

NO. OF POSITIONS PER ROW

5 - 36

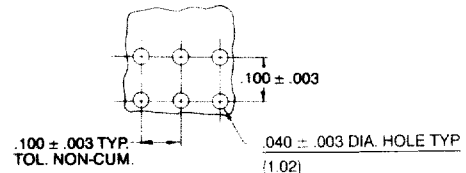
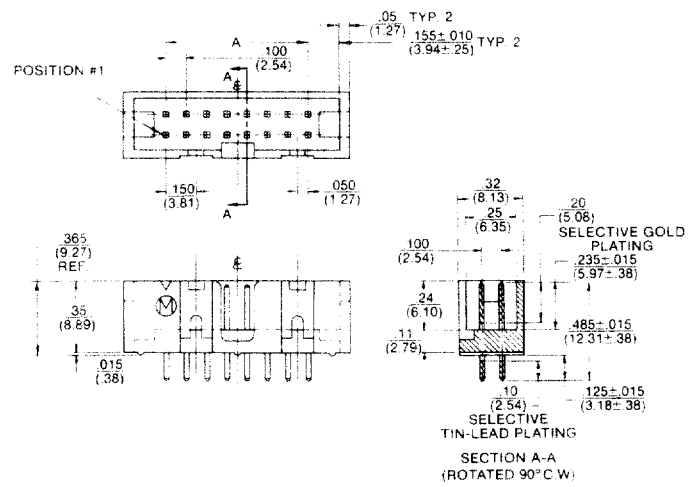
CONTACT FINISH

0 = TIN

8 = .000030 SELECTIVE GOLD

F = .000015 SELECTIVE GOLD

ALL DIMENSIONS ARE IN INCHES
DIMENSIONS IN () ARE IN MILLIMETERS



RECOMMENDED MOUNTING HOLE PATTERN