

### Through Hole Switchmode Inductors: Features and Applications



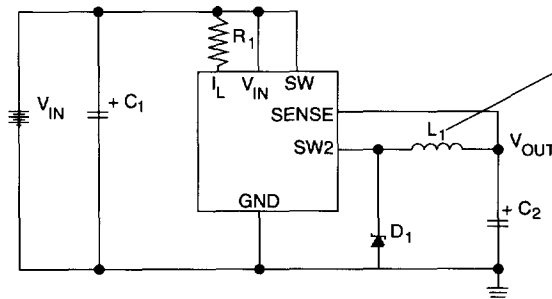
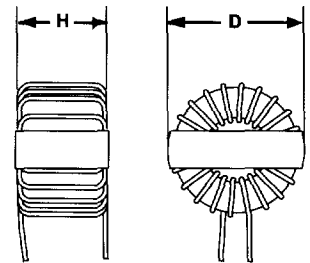
Inductance ( $\mu\text{H min.}$ )	Part number	Height (inches)	Diameter (inches)
<b>1.5 ADC</b>			
10.0	671-4855	0.22	0.49
15.7	671-4858	0.24	0.55
25.0	671-4861	0.26	0.58
26.0	671-4867	0.34	0.62
55.0	671-4864	0.27	0.79
68.0	671-4873	0.36	0.82
76.0	671-4870	0.34	0.80
120.0	671-4879	0.45	0.88
230.0	671-4882	0.58	0.88
<b>3.0 ADC</b>			
3.3	671-4856	0.23	0.50
7.0	671-4862	0.27	0.59
7.0	671-4859	0.25	0.56
11.0	671-4868	0.35	0.63
16.0	671-4865	0.28	0.80
23.0	671-4871	0.34	0.78
25.0	671-4874	0.36	0.83
36.0	671-4880	0.47	0.90
50.0	671-4883	0.59	0.90
<b>5.0 ADC</b>			
1.2	671-4857	0.26	0.52
2.0	671-4860	0.28	0.58
2.75	671-4863	0.29	0.61
5.0	671-4869	0.36	0.66
6.0	671-4866	0.30	0.82
8.5	671-4875	0.37	0.84
10.0	671-4872	0.36	0.81
13.0	671-4881	0.48	0.93
20.0	671-4884	0.61	0.94

#### Features

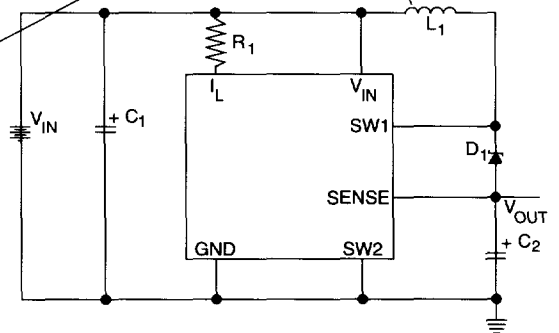
- Small size; nine core sizes available
- Cost-effective
- Vertical style reduces board space requirements
- Minimal EMI/radiation field
- Inductance range: 1.2-230 $\mu\text{H}$
- Three current ratings, peak to 5A
- Storage temperature range: -50 to 155°C

#### Applications

- Inverters
- Buck
- Boost
- Output chokes
- DC-DC converter



Buck converter



Boost converter

Details subject to change. Contact your Midcom sales representative for additional information.