

# RED INDICATES ORIGINAL

DWG SIZE		REVISIONS			12-05		SH 1
REV	ECO	DESCRIPTION	DWN	APPROVED	DATE		
B	10878	FIG 4A & 4B, 1.680 ± .030 WAS 1.745 ± .030, 1.700 ± .030, WAS 1.774 ± .030; REDRAWN; GENERAL UPDATE; SEE ECO	DKC	Bm, Jce	4/4/95		

P2 CONN TYPE	FIG NO	P1 CONN TYPE				INCH		MM		INCH		MM	
		J95	LJ95										
		SCHEMATICS				.030	0.76	.500	12.70	.810	20.57		
		K1	K2	K1	K2	.187	4.75	.505	12.83	1.680	42.67		
		DASH NUMBERS				.218	5.54	.510	12.95	1.700	43.18		
BJ26	1A	-1	-2	-3	-4	.221	5.61	.562	14.27	1.712	44.49		
UBJ26		-5	-6	-7	-8	.281	7.14	.593	15.08	1.774	45.08		
BJ46	1B	-9	-10	-11	-12	.284	7.21	.625	15.88				
UBJ46		-13	-14	-15	-16	.436	11.07	.630	16.00				
BJ29	2A	-17	-18	-19	-20	.440	11.18	.635	16.13				
UBJ29		-21	-22	-23	-24	.475	12.07	.650	16.51				
BJ49	2B	-25	-26	-27	-28								
UBJ49		-29	-30	-31	-32								
CJ20	3A	-33	-34	-35	-36								
UCJ20		-37	-38	-39	-40								
CJ40	3B	-41	-42	-43	-44								
UCJ40		-45	-46	-47	-48								
PL20	4A	-49	-50	-51	-52								
UPL20		-53	-54	-55	-56								
PL40	4B	-57	-58	-59	-60								
UPL40		-61	-62	-63	-64								
PL123	5A	-65	-66	-67	-68								
UPL123		-69	-70	-71	-72								
PL122	5B	-74	-75	-76	-77								
UPL122		-78	-79	-80	-81								

FIG 3A (P1)  
-33 SHOWN  
FIG 3B (P1)  
-41 SHOWN

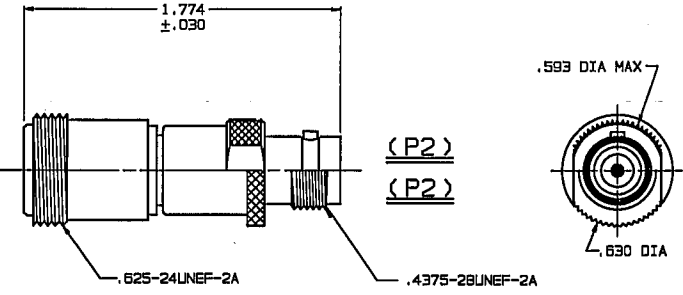


FIG 1A (P1)  
-1 SHOWN  
FIG 1B (P1)  
-9 SHOWN

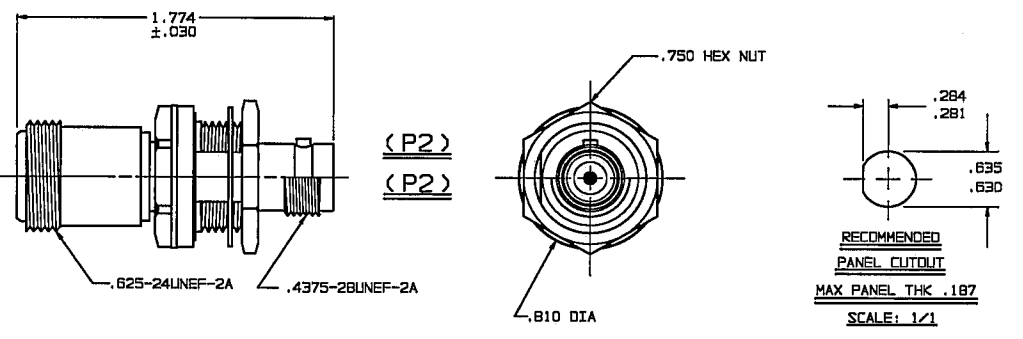


FIG 4A (P1)  
-49 SHOWN  
FIG 4B (P1)  
-57 SHOWN

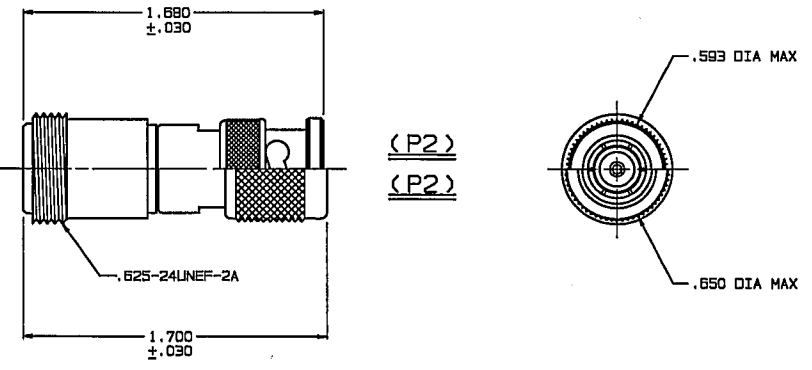


FIG 2A (P1)  
-17 SHOWN  
FIG 2B (P1)  
-25 SHOWN

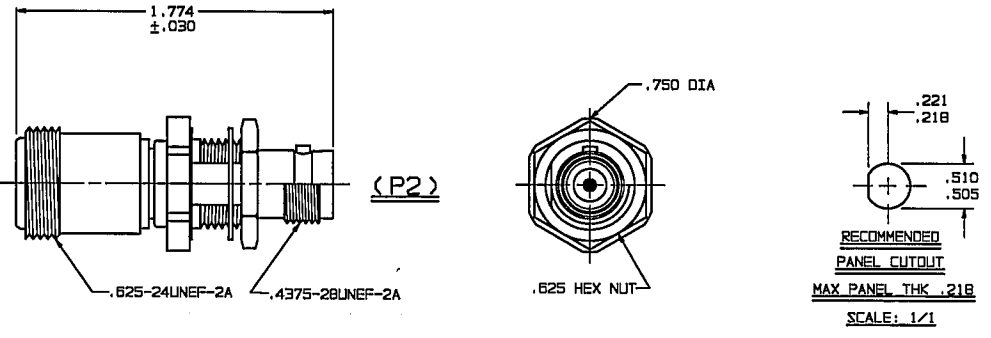
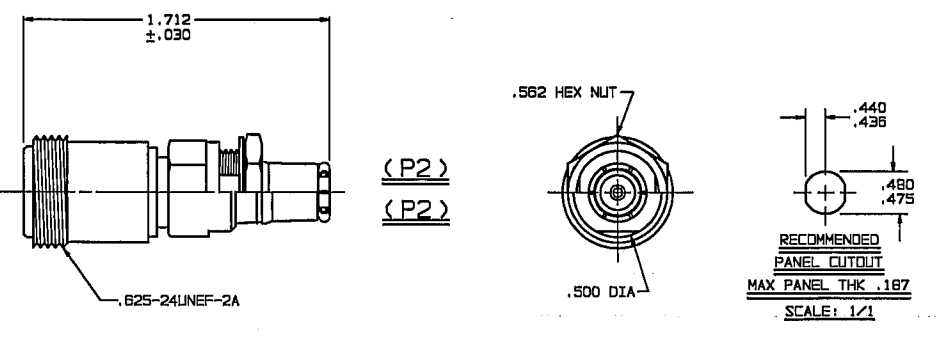
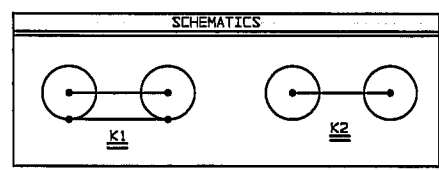
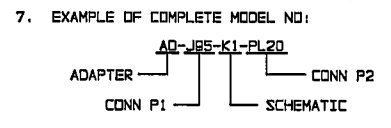


FIG 5A (P1)  
-73 SHOWN  
FIG 5B (P1)  
-65 SHOWN



- ALL DIM ARE IN INCHES
- TFS-1A (NICKEL)
- FOR "K1" VERSION SEE 1-0441, UAD182
- FOR "K1" VERSION SEE 1-0441, AD182
- BETWEEN SERIES ADAPTER 50 & 75 OHM "N" JACK TO 50 & 75 OHM BNC/TNC INSULATED & NONINSULATED BULKHEAD MOUNT JACK/JACK-PLUG PUSH-ON PLUG & NONINSULATED BULKHEAD MOUNT PLUG
- EXAMPLE OF COMPLETE MODEL NO:  
BASIC MODEL NO. 12-05-1-DASH NO



QTY	DESCRIPTION	PART NUMBER	ITEM
TOL UNLESS SPECIFIED XXX ± .005 XXXXX ANGLE	TROMPETER ELECTRONICS, INC.	ADAPTERS; LJ95 TO COMPLETE BNC/TNC SERIES	
DWN DKC 3-8-85	MATERIAL	CODE IDENT	DRAWING NO.
CHK Bm 4-3-95		14949	12-05
ENGR	SCALE 2/1	DATE 10-23-86	SHEET 1 OF 2
APPR Jce 4/3/95			