



.100" (2.54 mm) CENTER

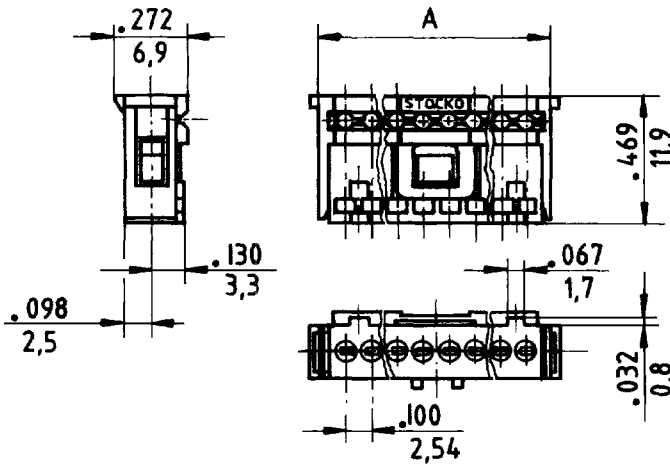
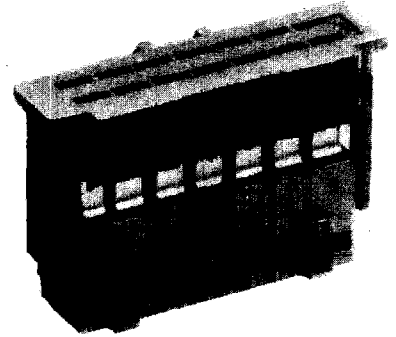
UL - recognized components, E 96569

1 Step Insulation Displacement Connector

17360 Series

FEATURES

- Rugged and reliable single row connector
- All conductors terminated in 1 step; cost effective
- No special termination tooling required
- Double IDC slot and double spring contact in mating area
- AWG 22, 24, 26: ribbon cable and discrete wire
- Mates with all standard unshrouded headers and shrouded STOCKO headers
- Integrated strain relief with 2 snap retainers for up to 7 positions, 3 for 8 to 14 and 4 for 16 to 20 positions
- No. 1 Position marked



SELECTED APPLICATIONS

- Industrial electronics, PCB and Component interconnections
- Security electronics
- Power supplies and components
- Vending equipment
- Medical equipment
- Instrumentation
- Audio/Video/Recording units

Specifications	Dimensions	Ordering Information	
	A (Inch - mm)	Pos.	Part Number
Centerline spacing: .100" (2.54 mm)			
Termination: IDC			
Max. current per line: 5 A / 158° F (70° C)	.393 - 9,98	3	MKFL 17363-6-★-303
Max. continuous current per line: 5 A / 86° F (30° C)	.493 - 12,52	4	MKFL 17364-6-★-404
Operating temperature - 40° F to + 239° F - 40° C to + 115° C	.593 - 15,06	5	MKFL 17365-6-★-505
Contact resistance: < 10 m Ω	.693 - 17,60	6	MKFL 17366-6-★-606
Insulation resistance: > 1 G Ω	.793 - 20,14	7	MKFL 17367-6-★-707
Materials	.893 - 22,68	8	MKFL 17368-6-★-808
	.993 - 25,22	9	MKFL 17369-6-★-909
	1.093 - 27,76	10	MKFL 17370-6-★-1010
	1.293 - 32,84	12	MKFL 17372-6-★-1212
Housing: Polycarbonate UL 94 V-O	1.493 - 37,92	14	MKFL 17374-6-★-1414
Contact: Bronze (Cu Sn 6)	1.693 - 43,00	16	MKFL 17376-6-★-1616
Plating: Selective tin Selective gold plating on request	2.093 - 53,16	20	MKFL 17380-6-★-2020
Housing color: AWG 26 blue-grey AWG 24 grey AWG 22 yellow			AWG 26 replace ★ with 1 AWG 24 replace ★ with 0 AWG 22 replace ★ with 6
Cover color: Grey, other colors on request			For tape mounted connectors on reels delete "L" in part number
Cable: 7 strand, fused or solid, AWG 22, 24, 26			
Insulation dia.: .047"-.059" (1,2-1,5 mm)			