

23

END

CUSTOMER DRAWING

FRONT <<

>> NEXT

| |
|---|
| PRODUCT NO: H M 30 * * * . * * |
| PRODUCT TITLE: POWER HEADER PIN PART NO |
| ASSEMBLY NO: 307-0000-295 |
| SPEC. NO: 307-0300-148 |
| MATERIAL NO : 307-0000-823 |
| LAYOUT NO : |
| FINGER NO: |

SAVE

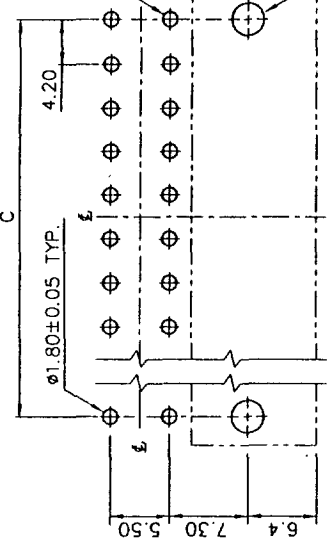
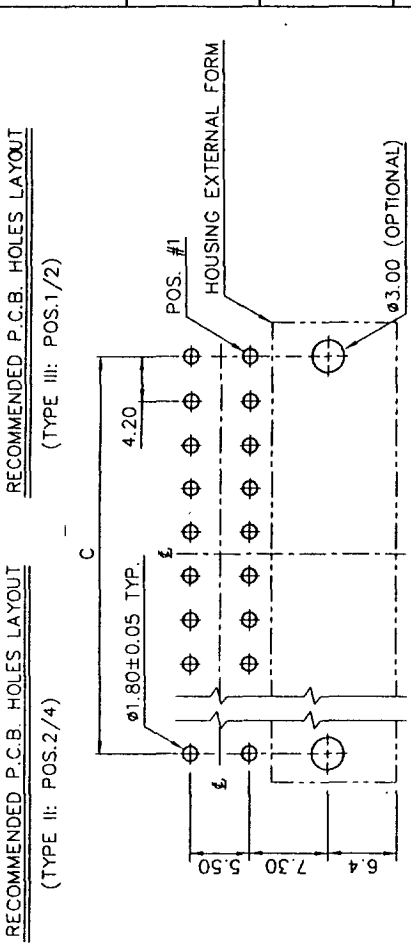
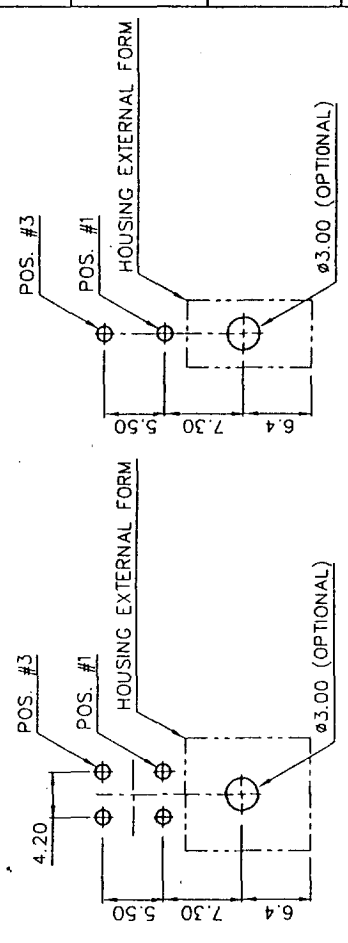
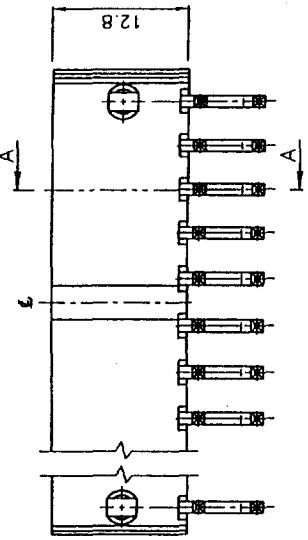
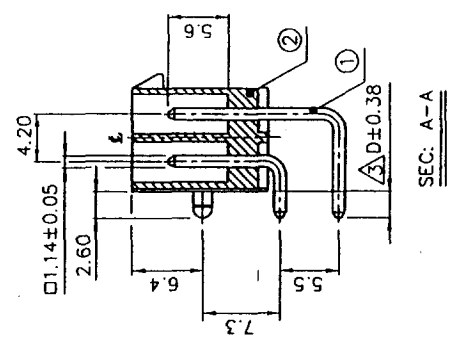
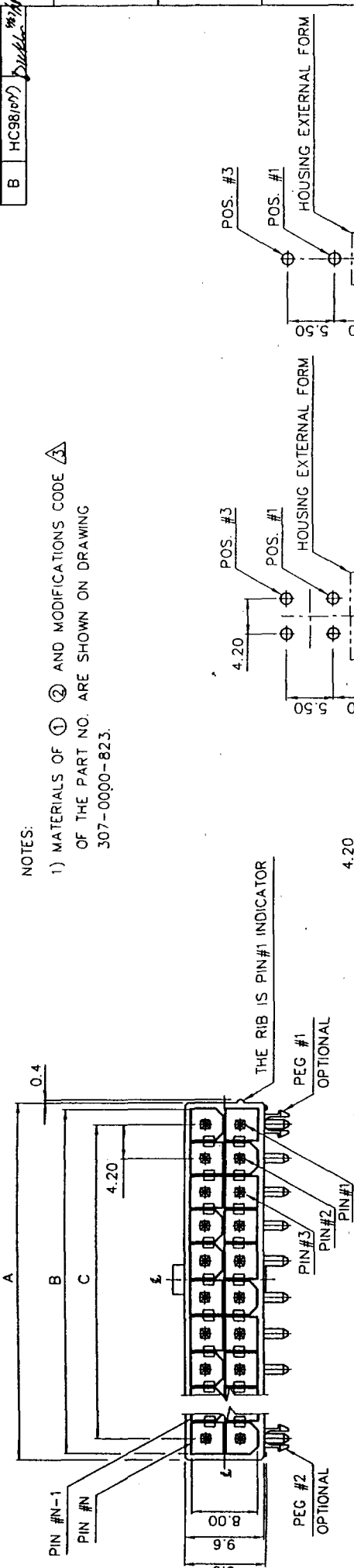
ESC

EDIT

FXCNS00035

| REV. | ECN. | NO. | APPD. |
|------|---------|-----|---------------------|
| A | HC97380 | | I. K. LIU 3/1/96 |
| B | HC98107 | | Duck 3/2/97 |

NOTES:
 1) MATERIALS OF ① ② AND MODIFICATIONS CODE △ OF THE PART NO. ARE SHOWN ON DRAWING 307-0000-823.



| PART NO. | NO. OF POS. | DIM. A | DIM. B | DIM. C |
|-------------|-------------|--------|--------|--------|
| HM30120-*** | 12/24 | 51.6 | 50.00 | 46.20 |
| HM30110-*** | 11/22 | 47.4 | 45.80 | 42.00 |
| HM30100-*** | 10/20 | 43.2 | 41.60 | 37.80 |
| HM30090-*** | 9/18 | 39.0 | 37.40 | 33.60 |
| HM30080-*** | 8/16 | 34.8 | 33.20 | 29.40 |
| HM30070-*** | 7/14 | 30.6 | 29.00 | 25.20 |
| HM30060-*** | 6/12 | 26.4 | 24.80 | 21.00 |
| HM30050-*** | 5/10 | 22.2 | 20.60 | 16.80 |
| HM30040-*** | 4/8 | 18.0 | 16.40 | 12.60 |
| HM30030-*** | 3/6 | 13.8 | 12.20 | 8.40 |
| HM30020-*** | 2/4 | 9.6 | 8.00 | 4.20 |
| HM30010-*** | 1/2 | 5.4 | 3.80 | |

| | | | | |
|---|----------|-------------------------|--------------------------|---|
| X.± | X.± | UNITS | NAME (INTENDED USE) | FOXCONN -HON HAI PRECISION IND. CO.,LTD. TAIPEI, TAIWAN, R.O.C. |
| | .X± 0.38 | mm | POWER CONN. | |
| .XX± 0.25 | MAT'L | PART NO. (INTENDED USE) | TITLE: | ASSEMBLY DRAWING |
| .XXX± | FINISH | HM30 SERIES | DWG NO.: | |
| THESE DRAWINGS AND SPECIFICATIONS ARE THE PROPERTY OF HON HAI PRECISION IND. CO., LTD. AND SHALL NOT BE REPRODUCED, COPIED OR USED IN ANY MANNER WITHOUT THE WRITTEN PERMISSION OF HON HAI PRECISION IND. CO., LTD. | | | APPD: I. K. LIU 3/1/97 | DWG NO.: 307-0000-295 |
| | | | CHKD: Y. S. HSIAO 3/1/97 | SCALE SHEET REV. |
| | | | DR: Poi Feb/25/97 | N/A 1/1 B |

SPECIFICATIONS:

1. PHYSICAL:

- 1-1. HOUSING : THERMOPLASTIC, NYLON 6.6 , UL94 V-0 RATING.
- 1-2. CONTACT: COPPER ALLOY.

2. ELECTRICAL CHARACTERISTICS:

- 2-1. CONTACT CURRENT RATING : 6 AMPERE.
- 2-2. DIELECTRIC WITHSTANDING VOLTAGE: 1500V VRMS AT SEA LEVEL.
- 2-3. INSULATION RESISTANCE: 1000 MEGOHMS MIN.

3. MECHANICAL CHARACTERISTICS:

- 3-1. CONTACT RETENTION FORCE: 2 LBS (0.91 Kg) MIN.

4. ENVIRONMENTAL DATA:

- 4-1. SOLDERABILITY: PASSED MIL-STD-208F, METHOD 208F.
- 4-2. OPERATION TEMPERATURE: -40 TO +85 .

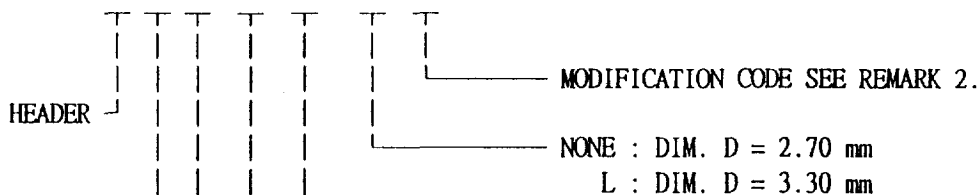
| | | | |
|-------------------------------|--|--------------------------------------|---------------|
| FOXCONN | | HON HAI PRECISION INDUSTRY CO., LTD. | |
| | | TAIPEI TAIWAN R.O.C. | |
| TITLE POWER CONN. 4.20 | | APP. : | |
| 5.50 mm, SPECIFICATION | | CHKD: | |
| PROD. NO.: HM30[][]0-[][] | | DR. : | |
| DWG. NO. 307-0300-148 | | REV. : A | SHEET: 1 OF 1 |

| | | |
|------|----------|-------|
| A | | |
| REV. | ECN. NO. | APPD. |

| ITEM | DESCRIPTION | Q'TY | MATERIAL | TREATMENT | REMARK |
|------|-------------|---|-----------------------------------|--|--------|
| 1 | CONTACT | SAME AS NO. OF POSITION. (SEE BELOW) | BRASS | 50u" MIN. NICKEL UNDER PLATING, 100u" MIN. TIN/LEAD PLATING OVER ALL | |
| 2 | HOUSING | 1 | THERMOPLASTIC, NYLON 6.6, UL94V-0 | IVORY COLOR | |

REMARK:

1. PROD. NO.: H M 3 0 0



NONE : DIM. D = 2.70 mm
L : DIM. D = 3.30 mm

TIN/LEAD PLATING OVER ALL

NO. OF SINGLE ROW POS.
(SEE DWG. 307-0000-295)
01 = 1/2 POSITIONS.
02 = 2/4 POSITIONS.

12 = 12/24 POSITIONS.

2. MODIFICATION CODE

| CODE | DESCRIPTION | |
|------|------------------|----------------------|
| | PEGS | PIN MISSING |
| NONE | | |
| P2 | PEG #1 & PEG #2 | |
| P1 | PEG #1 | |
| S2 | PEG #1 \$ PEG #2 | THE 19th PIN OMITTED |
| S1 | PEG #2 | THE 19th PIN OMITTED |

FOXCONN HON HAI PRECISION INDUSTRY CO., LTD.
TAIPEI TAIWAN R.O.C.

| | |
|------------------------------------|--------------------------|
| TITLE: POWER CONN., 4.20 × 5.50 mm | APP. : I. K. LIU 3/1'97 |
| | CHKD: Y. S. HSIAO 3/1'97 |
| PROD. NO.: HM30[][]0-[][] | DR. : Pai Feb/25'98 |
| DWG. NO.: 307-0000-823 | REV. : B SHEET: 1 OF 1 |

| | | |
|------|----------|------------------|
| B | Hc981076 | Duxin 4/27/98 |
| A | HC97380 | I. K. LIU 3/1'97 |
| REV. | ECN. NO. | APPD. |