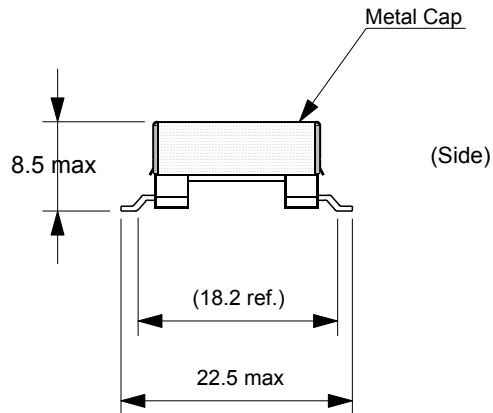
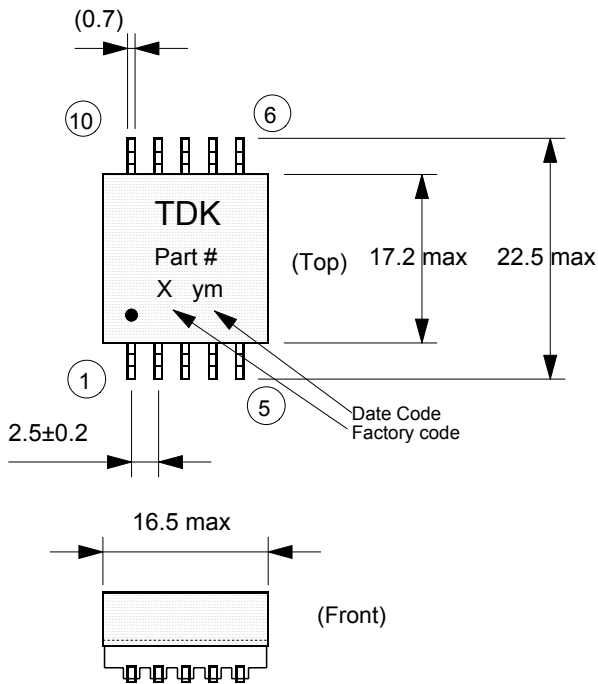
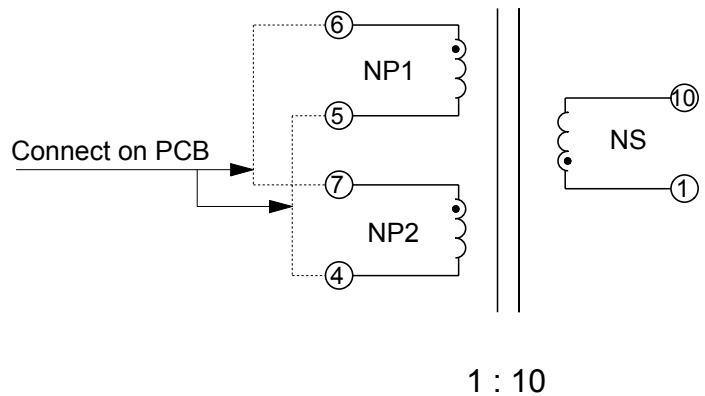


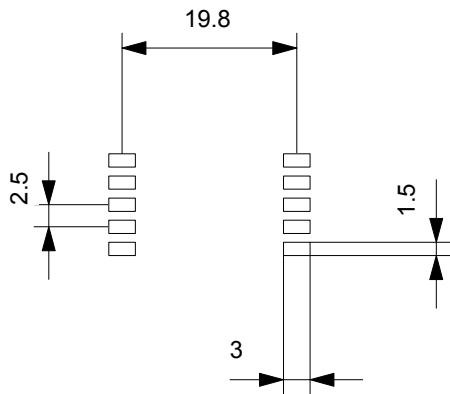
(1) Appearance & Dimension



(3) Schematic



(2) Suggested Pad layout



NOTES:

1. Terminals coplanarity 0.15 max
2. Epoxy adhesive curing 120°C 1 hour
3. All dimensions in mm
4. Lead free - RoHS Compliant

(4) Electrical Specification @25Deg. C

1. Inductance: 6,7 - 5,4 10uH±10%
2. Leakage Inductance: Pri - (short Sec.) 1.0uH max
3. DC Resistance:
 - 6-5 - 120mOhms Max
 - 7-4 - 140mOhms Max
 - 1-10 - 4.0Ohms Max
4. Turns Ratio: Sec. - Pri. 0.10±5%
5. Withstanding Voltage: Pri. - Sec. 1KVAC 2Sec.

Customer	Linear Technology	Designed	T. Thurman	10/12/05
Model	DCT15EFD-U44S003	Checked		
		Approved		
TDK CORPORATION		Dwg. No.		X