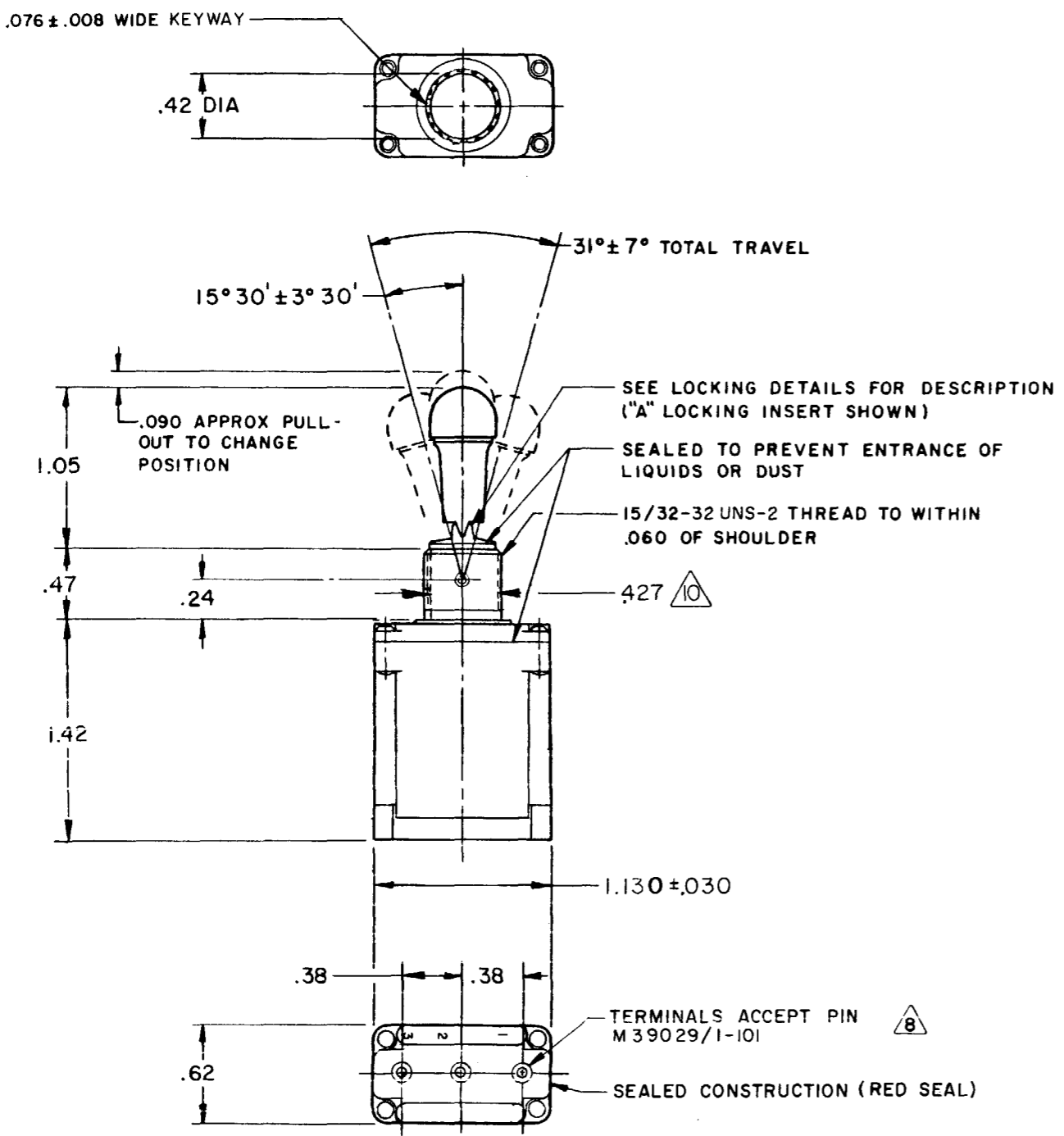


CATALOG LISTING  
**M101TL2 SERIES CHART 2**  
 PAGE 1 OF 1  
 ISSUE 15  
 REVISIONS  
 A C092297 JAK 16 FEB 98  
 B 204687 G J W 09 JAN 02  
 CHECK  
 CHICK  
 18 MAR 73  
 LSD  
 14 MAY 73  
 DRAWN  
 RASTER

**MICRO SWITCH**  
 FREEPORT, ILLINOIS, U.S.A.  
 A DIVISION OF HONEYWELL  
 FED. MFG. CODE 91929

CATALOG LISTING  
**101TL2 SERIES**  
**CHART 2**  
**SWITCH - TOGGLE**

THIS DRAWING COVERS A PROPRIETARY ITEM AND IS THE PROPERTY OF MICRO SWITCH, A DIVISION OF HONEYWELL. THIS DRAWING IS NOT TO BE COPIED OR USED WITHOUT THE APPROVAL OF MICRO SWITCH.

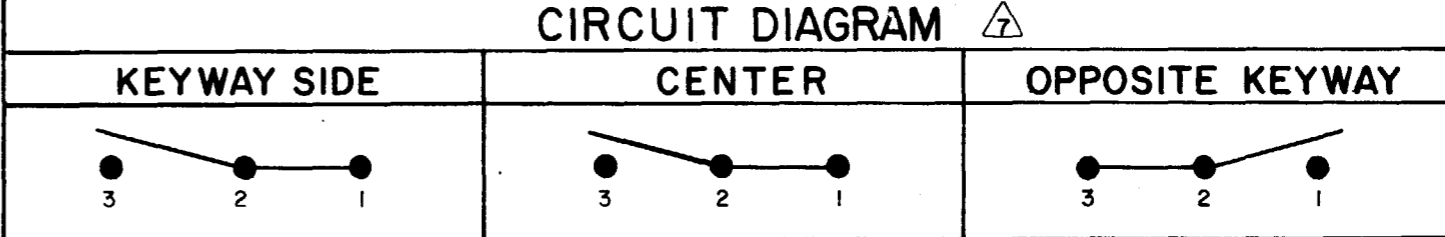
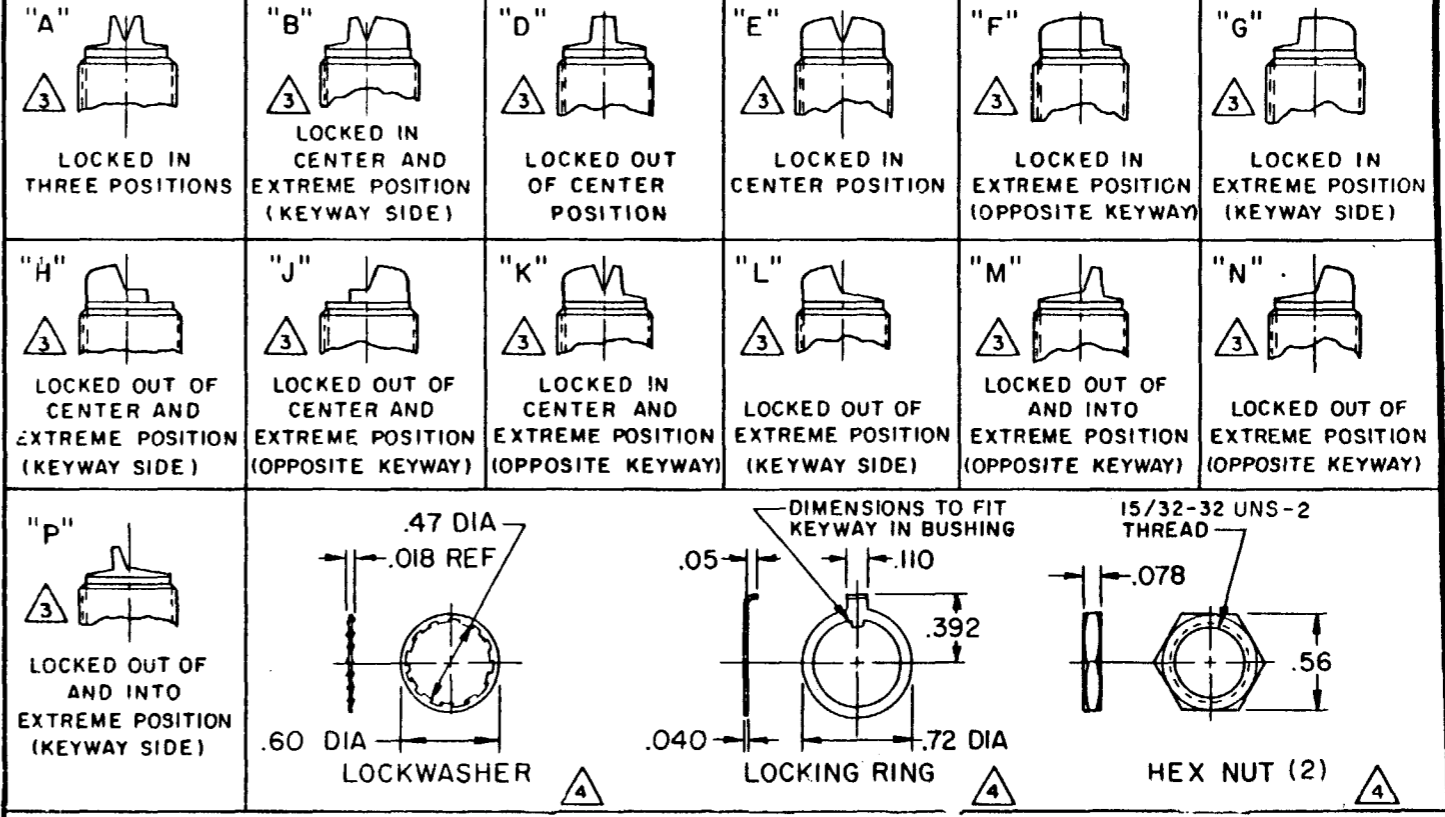


- NOTES**
- SWITCHES ARE CAPABLE OF WITHSTANDING A TEMPERATURE OF 160° F CONTINUOUSLY AT FULL RATED LOAD
  - CIRCUIT DESIGNATION, MICRO SWITCH CATALOG LISTING, DATE CODE AND "MS" NUMBER IDENTIFIED ON SIDE OF SWITCH
  - KEYWAY SHOWN ON LEFT SIDE
  - FURNISHED UNASSEMBLED
  - THESE SWITCHES ARE QUALIFIED UNDER MIL-S-3950
  - SUFFIX LETTER MUST BE ADDED FOR DESIRED TYPE TOGGLE LOCKING SEE CHART FOR AVAILABLE LOCKING COMBINATIONS
  - CIRCUIT DIAGRAMS APPLY ONLY TO "ON" AND "MOM ON" POSITIONS
  - THE SEALING GROMMET SHALL SEAL ON A SMOOTH WIRE INSULATION OF .040 TO .083 DIAMETERS (16-20 GAGE)
  - UNUSED TERMINAL HOLES MAY BE SEALED WITH PLUGS M83723/28-20

SCALE FULL  
 DO NOT SCALE PRINT  
 UNLESS OTHERWISE NOTED  
 DIMENSIONS ARE IN INCHES  
**TOLERANCES ARE**

ONE PLACE (.0)	± .030
TWO PLACE (.00)	± .015
THREE PLACE (.000)	± .008
ANGLES	±
WEIGHT	

CAT. LIST.	AVAILABLE LOCKING COMBINATIONS FOR CONFIGURATION SEE LETTERED DETAILS	CIRCUIT WITH TOGGLE IN			CURRENT CAPACITY (AMPS)								MS NUMBER		
		EXTREME POSITION KEYWAY SIDE	CENTER	EXTREME POSITION OPPOSITE KEYWAY	RESISTIVE LOAD				LAMP LOAD		INDUCTIVE LOAD				
					30 DC VOLTS	115 AC VOLTS	250	115	230	30 VDC	115 VAC	30 VDC		115 VAC	
101TL2-1	A,B,D,E,F,G,H,J,K,L,M,N,P	ON	OFF	ON											27787-21
101TL2-2	D, F, G	OFF	NONE	ON											27787-22
101TL2-3	D, F, G	ON	NONE	ON											27787-23
101TL2-21	E, F, K, M, N	NONE	OFF	ON	75	.75	.5	75	6	5	3	75	7.5		27787-24
101TL2-31	E, F, K, M	NONE	ON	ON											27787-33
101TL2-4	F, G	MOM OFF	NONE	ON											27787-29
101TL2-5	E, F, K, L, M, N	MOM ON	OFF	ON											27787-31
101TL2-6	F	MOM ON	NONE	OFF											27787-30
101TL2-7	E, L, N	MOM ON	OFF	MOM ON											27787-27
101TL2-8	F	MOM ON	NONE	ON	7.5	.75	.5	7.5	6	4	2	7.5	7.5		27787-26
101TL2-51	E	NONE	ON	MOM ON											27787-32
101TL2-61	E	MOM ON	OFF	NONE											27787-28
															27787-25



FROM BOTTOM OF KEYWAY TO MAJOR DIA OF 15/32 THREAD