

SHUNT RING

Squib connectors

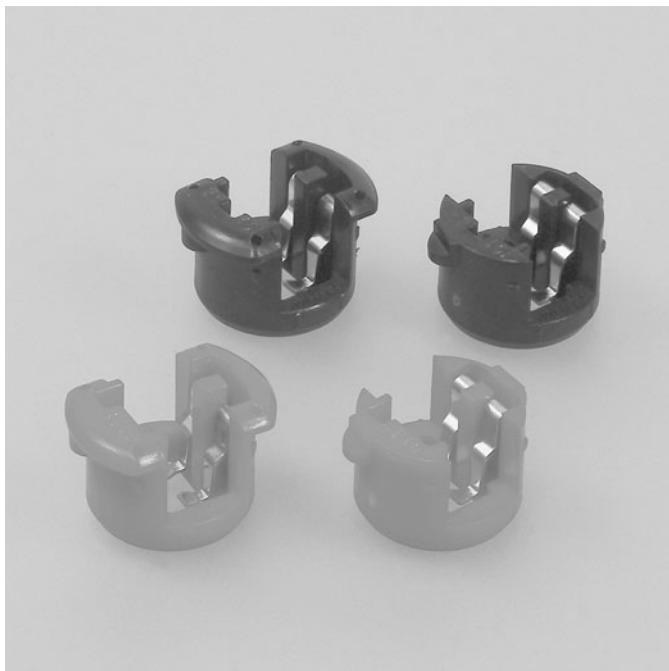
Features

● Scooping (kojiri) preventive construction

Using a shunt ring with a mating harness connector, the resistance to scooping (kojiri) insertion and withdrawal on the assembly line is improved.

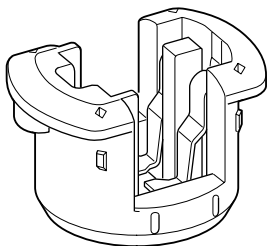
● VDA standard type

Shunt rings conforming to VDA standard are available in various keying codes and colors.

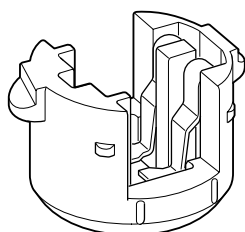


Connector for an inflator. This connector is available in various types and colors of scooping (kojiri) preventive type and VDA standard type.

● Anti-scooping (kojiri) type



● VDA standard type



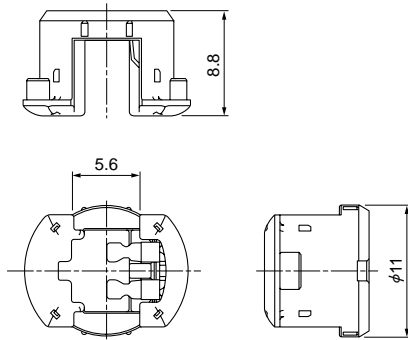
Specifications

- Temperature range: -30°C to +80°C
(including temperature rise in applying electrical current)
- Insulation resistance: 100MΩ min.

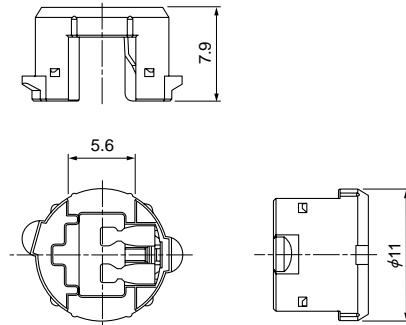
- * Compliant with ELV/RoHS.
- * Contact JST for details.

Shunt ring

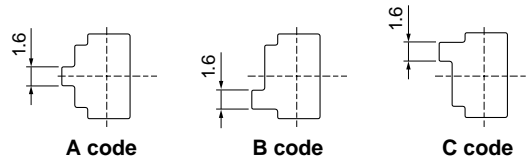
● Anti-scooping (kojiri) type



● VDA standard type



● Keying figure



| Type | Keying figure | Model No. | Q'ty/box | Color |
|-----------------------------|----------------|-----------------|----------|--------------|
| Anti-scooping (kojiri) type | A code | 02-SQS-GF-1A-K | 3,000 | Black |
| | | 02-SQS-GF-1A-Y | 3,000 | Yellow |
| | | 02-SQS-GF-1A-LP | 3,000 | Light purple |
| | | 02-SQS-GF-1A-N | 3,000 | Brown |
| | | 02-SQS-GF-1A-E | 3,000 | Blue |
| | B code | 02-SQS-GF-1B-M | 3,000 | Green |
| C code | 02-SQS-GF-1C-D | 3,000 | Orange | |
| VDA standard type | A code | 02-SQS-GF-2A-K | 10,000 | Black |
| | | 02-SQS-GF-2A-R | 10,000 | Red |
| | | 02-SQS-GF-2A-E | 10,000 | Blue |
| | | 02-SQS-GF-2A-Y | 10,000 | Yellow |
| | | 02-SQS-GF-2A-LP | 10,000 | Light purple |
| | B code | 02-SQS-GF-2B-M | 10,000 | Green |
| | | 02-SQS-GF-2B-H | 10,000 | Gray |
| | C code | 02-SQS-GF-2C-MK | 10,000 | Mikan |
| | | 02-SQS-GF-2C-P | 10,000 | Purple |
| | | 02-SQS-GF-2C-D | 10,000 | Orange |

Material and Finish

Terminal: Copper alloy, nickel-undercoated, Contact area; gold-plated
Housing: Glass-filled PBT