

2mm SHROUDED STACKER STMM, LTMM, ZSTMM, ZLTMM

SPECIFICATIONS

For complete specifications and recommended PCB layouts see www.samtec.com?STMM, www.samtec.com?LTMM, www.samtec.com?ZSTMM or www.samtec.com?ZLTMM

Insulator Material: Black Liquid Crystal Polymer



Terminal Material: Phosphor Bronze

Plating: Sn or Au over 50µ" (1,27µm) Ni

Current Rating: 3A @ 80°C ambient

Operating Temp Range: -55°C to +105°C with Tin; -55°C to +125°C with Gold

RoHS Compliant: Yes

Processing:

Max Processing Temp: 230°C for 60 seconds, or 260°C for 20 seconds 3x

Lead-Free Solderable: Yes

SMT Lead Coplanarity: (0,10mm) .004" max

TYPE STRIP - **1** - **NO. PINS PER ROW** - **LEAD STYLE** - **PLATING OPTION** - **D** - **BODY HEIGHT** - **OTHER OPTION**

Mates with: SQT, SQW, ESQT, SMM, TCSD

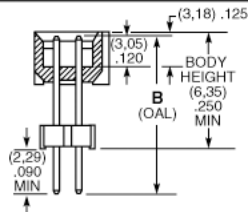
STMM
= Cable Strip

LTMM
= Connector Strip

ZSTMM
= Elevated Cable Strip

ZLTMM
= Elevated Connector Strip

-02
= STMM & LTMM
Specify ZSTMM & ZLTMM from chart



LEAD STYLE	B (OAL)	MAX BODY HEIGHT
-75	(9,58) 0.377	(7,42) 0.292
-62	(10,08) 0.397	(7,92) 0.312
-65	(10,49) 0.413	(8,33) 0.328
-73	(12,09) 0.476	(9,93) 0.391
-63	(14,10) 0.555	(11,94) 0.470
-66	(15,09) 0.594	(12,93) 0.509
-69	(15,60) 0.614	(13,44) 0.529
-74	(17,09) 0.673	(14,94) 0.588
-70	(17,60) 0.693	(15,44) 0.608
-71	(21,08) 0.830	(18,92) 0.745
-72	(21,62) 0.851	(19,46) 0.766

Leave blank for Through-hole

-RA
= Right Angle (STMM & LTMM only)

-SM
= Surface Mount (STMM & LTMM only)

-“XXX”
= ZSTMM & ZLTMM Body Height

-“XX”
= Polarized Position

-LC
= Locking Clip (-SM only)

-K
= (6,50mm) .256" DIA Film Pick & Place Pad (-SM only)

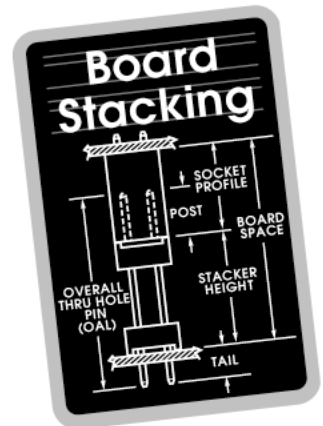
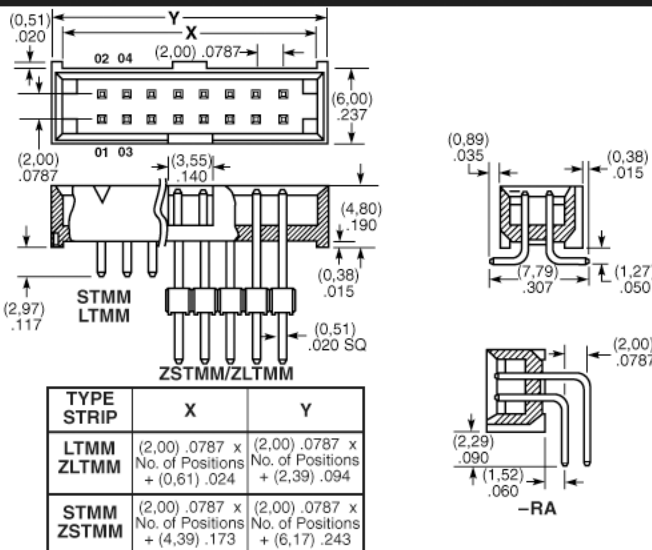
-TR
= Tape & Reel (-SM only)

-G
= 20µ" (0,51µm) Gold on post, Gold flash on tail

-S
= 30µ" (0,76µm) Gold on post, Matte Tin on tail

-T
= Matte Tin

05, 08, 10, 12, 13, 15, 17, 20, 22, 25
(Call Samtec for other sizes)



Note: This Series is non-standard, non-returnable.

Due to technical progress, all designs, specifications and components are subject to change without notice.

WWW.SAMTEC.COM

SAMTEC USA • Tel: 1-800-SAMTEC-9 or 812-944-6733 • Fax: 812-948-5047
SAMTEC GERMANY • Tel: +49 (0) 89 / 89460-0 • Fax: +49 (0) 89 / 89460-299
SAMTEC SCANDINAVIA • Tel: +46-84477280 • Fax: +46-87420413
SAMTEC ASIA PACIFIC • Tel: 65 6745-5955 • Fax: 65 6841-1502
SAMTEC HONG KONG • Tel: 852-26904858 • Fax: 852-26904842
SAMTEC SILICON VALLEY • Tel: 408-395-5900 • Fax: 408-395-1520
SAMTEC FRANCE • Tel: 01 60 95 06 60 • Fax: 01 60 95 06 61
SAMTEC ISRAEL • Tel: 972-3-7526600 • Fax: 972-3-7526690
SAMTEC CHINA • Tel: 86-21-61103766 • Fax: 86-21-53854047
SAMTEC SOUTH AFRICA • Tel: 27 11 4528112 • Fax: 27 86 6714432
SAMTEC UK • Tel: 01236 739292 • Fax: 01236 727113
SAMTEC ITALY • Tel: 39 039 6890337 • Fax: 39 039 6890315
SAMTEC INDIA • Tel: 91 80 306 21 612 • Fax: 91 80 4152 8187
SAMTEC TAIWAN • Tel: 886 02 2698-3367 • Fax: 886 02 8698-2159
SAMTEC ANZ • Tel: 613 9512 7747 • Fax: 613 9512 7745