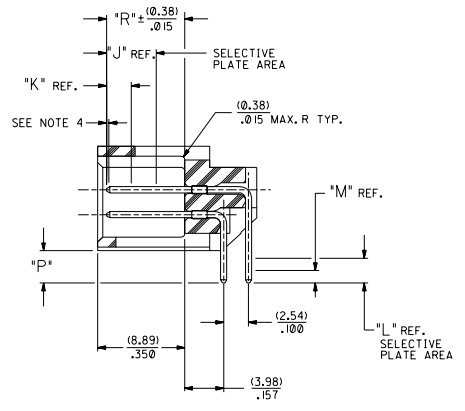
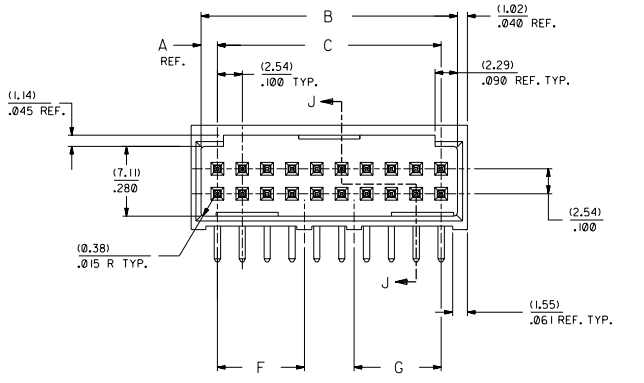
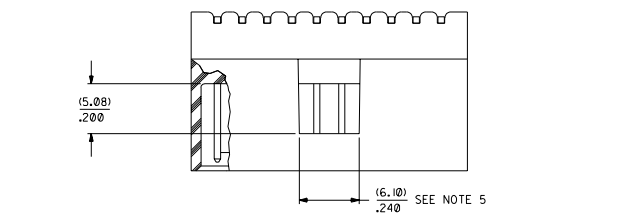
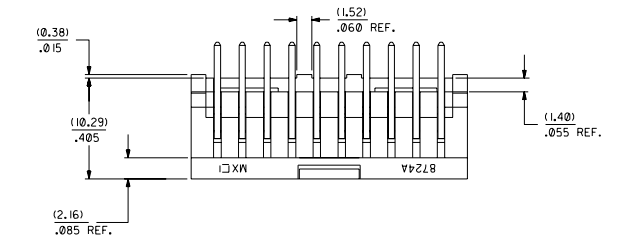
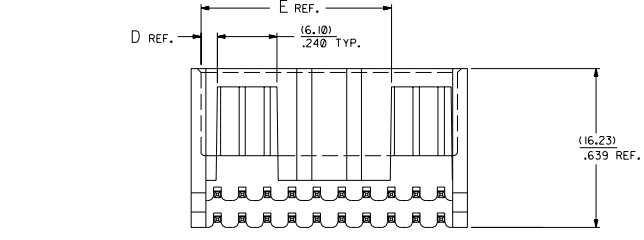


RECOMMENDED P.C. BOARD HOLE LAYOUT



SECTION J-J



NOTES:

- 20 CIRCUIT SIZE SHOWN FOR ILLUSTRATION PURPOSES.
- PIN PUSHOUT FORCE: (11.79 N)/4 LBS.
- PINS MUST MEET SOLDERABILITY SPEC. MIL-STD-202 METHOD 208B.
- ROW TO ROW PIN HEIGHT VARIATION MUST NOT EXCEED (0.13)/.005 IN.
- WINDOW NOT AVAILABLE ON 6 OR 8 CIRCUIT SIZE.
- FOR CHARTED DIMENSIONS AND ASSEMBLY NO.S NOT SHOWN ON THIS SHEET - SEE SHEET 2.
- PRODUCT CONFORMS TO PS-8723.

CRT.	8724		8724		8724		8724	
	DIM. 'A'	DIM. 'B'	DIM. 'C'	DIM. 'D'	DIM. 'E'	DIM. 'F'	DIM. 'G'	
06	(1.68) .066	(8.43) .332	(5.08) .200	(1.68) .066				
08	(1.68) .066	(10.97) .432	(7.62) .300	(1.68) .066				
10	(1.68) .066	(13.51) .532	(10.16) .400	(4.22) .166				
12	(1.68) .066	(16.05) .632	(12.70) .500	(4.22) .166				
14	(1.68) .066	(18.59) .732	(15.24) .600	(16.76) .266				
16	(1.68) .066	(21.13) .832	(17.78) .700	(16.76) .266				
18	(1.68) .066	(23.67) .932	(20.32) .800	(9.30) .366				
20	(1.68) .066	(26.21) .1032	(22.86) .900	(1.68) .066	(19.46) .766			
22	(1.68) .066	(28.75) .1132	(25.40) .1000	(1.68) .066	(22.00) .866			
24	(1.68) .066	(31.29) .1232	(27.94) .1100	(1.68) .066	(24.54) .966	(16.64) .655		
26	(1.68) .066	(33.83) .1332	(30.48) .1200	(1.68) .066	(27.08) .1066	(16.64) .655		
28	(1.68) .066	(36.37) .1432	(33.02) .1300	(1.68) .066	(29.62) .1166	(16.64) .655		
30	(1.68) .066	(38.91) .1532	(35.56) .1400	(1.68) .066	(32.16) .1266	(16.64) .655		
32	(1.68) .066	(41.45) .1632	(38.10) .1500	(1.68) .066	(34.70) .1366	(16.64) .655		
34	(1.68) .066	(43.99) .1732	(40.64) .1600	(1.68) .066	(37.24) .1466	(16.64) .655	(16.76) .660	
36	(1.68) .066	(46.53) .1832	(43.18) .1700	(1.68) .066	(39.78) .1566	(16.64) .655	(16.76) .660	
38	(1.68) .066	(49.07) .1932	(45.72) .1800	(1.68) .066	(42.32) .1666	(16.64) .655	(16.76) .660	
40	(1.68) .066	(51.61) .2032	(48.26) .1900	(1.68) .066	(44.86) .1766	(16.64) .655	(16.76) .660	
42	(1.68) .066	(54.15) .2132	(50.80) .2000	(1.68) .066	(47.40) .1866	(16.64) .655	(16.76) .660	
44	(1.68) .066	(56.69) .2232	(53.34) .2100	(1.68) .066	(49.94) .1966	(16.64) .655	(16.76) .660	
46	(1.68) .066	(59.23) .2332	(55.88) .2200	(1.68) .066	(52.48) .2066	(16.64) .655	(16.76) .660	
48	(1.68) .066	(61.77) .2432	(58.42) .2300	(1.68) .066	(55.02) .2166	(16.64) .655	(16.76) .660	
50	(1.68) .066	(64.31) .2532	(60.96) .2400	(1.68) .066	(57.56) .2266	(16.64) .655	(16.76) .660	
52	(1.68) .066	(66.85) .2632	(63.50) .2500	(1.68) .066	(60.10) .2366	(16.64) .655	(16.76) .660	
54	(1.68) .066	(69.39) .2732	(66.04) .2600	(1.68) .066	(62.64) .2466	(21.59) .860	(21.84) .860	
56	(1.68) .066	(71.93) .2832	(68.58) .2700	(1.68) .066	(65.18) .2566	(21.59) .860	(21.84) .860	
58	(1.68) .066	(74.47) .2932	(71.12) .2800	(1.68) .066	(67.72) .2666	(27.81) .1095	(26.92) .1060	
60	(1.68) .066	(77.01) .3032	(73.66) .2900	(1.68) .066	(70.26) .2766	(27.81) .1095	(26.92) .1060	
62	(1.68) .066	(79.55) .3132	(76.20) .3000	(1.68) .066	(72.80) .2866	(27.81) .1095	(26.92) .1060	
64	(1.68) .066	(82.09) .3232	(78.74) .3100	(1.68) .066	(75.34) .2966	(27.81) .1095	(26.92) .1060	
66	(1.68) .066	(84.63) .3332	(81.28) .3200	(1.68) .066	(77.88) .3066	(27.81) .1095	(26.92) .1060	
68	(1.68) .066	(87.17) .3432	(83.82) .3300	(1.68) .066	(80.42) .3166	(27.81) .1095	(26.92) .1060	
70	(1.68) .066	(89.71) .3532	(86.36) .3400	(1.68) .066	(82.96) .3266	(27.81) .1095	(26.92) .1060	
72	(1.68) .066	(92.25) .3632	(88.90) .3500	(1.68) .066	(85.50) .3366	(27.81) .1095	(26.92) .1060	

MATERIAL:

SHROUDED WAFER: GLASS FILLED NYLON, COLOR: BLACK, UL94 V-0.
PINS: PHOSPHOR BRONZE, SEE SHEET 2 FOR FINISHES.

ASSEMBLY STYLES "A", "B", AND "G"

DIMENSIONS SHOWN METRIC INCH		REVISIONS	
TITLE: SALES ASSEMBLY		DATE: 06/26/86	
WAFER - RIGHT ANGLE FULLY SHROUDED		DRAWN: DA	
.100 GRID - FOR USE W/.005 SQ. PINS		CHECKED: DA	
WITH .066 END WALLS		APPROVED: DA	
MOLEX INCORPORATED		MFG. SH. REV. LTR. REVISIONS	
PART NO. SDA-8724		REV. 1 OF 8	
SCALE: 4:1		DA	

- R LEAD FREE
LCP7004+1770
RWHITE 84/84/27
- Q MOVE -68074
PER US72400-0081
BBARKER 99/07/30
- P2 ADD-0881
PER US71999-0586
SCHAFER 99/1/21
- P1 TAD DIF DIM # 8
EON #LOT 1999-0145
DMORGAN 98/08/21
- P ADD-1057
EON #LOT 1998-0399
DMORGAN 98/06/24
- Q ADD-1057
PER EC # 198107
ELO 97/10/23
- N ADD-1057
PER ECR NO US0100
88-28-94 BUS
- M #4 PLTG WAS 182
PER ECH # US1856
11/29/93 REED
- L3 ADD-1057
PER ECR NO US0940
92-08-19 88
- L2 ADD-1057
PER ECR NO US0886
88-28-92
- L1 ADD-1057
PER ERO 98012
88-27-90 AAS/DJK
- 5 Q ADD NEW ASSEM.
PER ERO 98012
- 4 R ADD PACK. SPECS.
AS PER US-9428
88-28-91
- 3 O REVISE CORE DET.
PER ECR NO. 10193
11/1/0
- K

20	19	18	17	16	15	14	13	12	11	8724	9	8	7	6	8724	4	3	2	1
ENGINEERING PART NUMBER A-8724-	RELEASE FOR MANUFACTURE	P REF.	PLATING (SEE NOTES ON THIS SHEET)	CONNECTOR END PLATING			P.C. BOARD END PLATING			PACKAGING INFORMATION PK-70873-									
				TYPE	J LENGTH	K MEAS.	R ± (0.38) .015	TYPE	L LENGTH		M MEAS.								
06A164 / 72A164	RFM	(3.30) .130	TIN	TIN	(2.54) .100	(8.00) .315	TIN	(1.27) .050	0019										
06B164 / 72B164	RFM	(5.08) .200	TIN	TIN	(2.54) .100	(8.00) .315	TIN	(1.27) .050	0019										
06A571 / 72A571	RFM	(3.30) .130	15 GOLD	GOLD	(5.08) .200	(2.54) .100	(8.00) .315	TIN	(2.54) .100	(1.27) .050	0019								
06B571 / 72B571	RFM	(5.08) .200	15 GOLD	GOLD	(5.08) .200	(2.54) .100	(8.00) .315	TIN	(2.54) .100	(1.27) .050	0019								
06A574 / 72A574	RFM	(3.30) .130	30 GOLD	GOLD	(5.08) .200	(2.54) .100	(8.00) .315	TIN	(2.54) .100	(1.27) .050	0019								
06B574 / 72B574	RFM	(5.08) .200	30 GOLD	GOLD	(5.08) .200	(2.54) .100	(8.00) .315	TIN	(2.54) .100	(1.27) .050	0019								
06G164 / 72G164	RFM	(3.30) .130	TIN	TIN	(2.54) .100	(6.35) .250	TIN	(1.27) .050	0019										

PLATING FINISHES:

TIN TIN (Sn) OVER ENTIRE PIN;
THICKNESS=(1.75 MICROMETER)/75 MICROINCH MINIMUM;
NICKEL (Ni) UNDERPLATE OVER ENTIRE PIN.

15 GOLD SELECTIVE GOLD (Au) IN THE CONTACT AREA;
THICKNESS=(0.37 MICROMETER)/15 MICROINCH MINIMUM;
SELECTIVE TIN (Sn) IN THE PC TAIL AREA;
THICKNESS=(1.88 MICROMETER)/75 MICROINCH MINIMUM;
NICKEL (Ni) UNDERPLATE OVER ENTIRE PIN.

30 GOLD SELECTIVE GOLD (Au) IN THE CONTACT AREA;
THICKNESS=(0.75 MICROMETER)/30 MICROINCH MINIMUM;
SELECTIVE TIN (Sn) IN THE PC TAIL AREA;
THICKNESS=(1.88 MICROMETER)/75 MICROINCH MINIMUM;
NICKEL (Ni) UNDERPLATE OVER ENTIRE PIN.

*THE PRIMARY SHIPPING CARTON WILL BE LABELED *COMPLIANT TO
RoHS DIRECTIVE 2002/95/EC AND ELV ANNEX II OF DIRECTIVE 2000/53/EC.
CARTONS WITHOUT THIS LABEL MAY CONTAIN PRODUCT WITH LEAD.

NO. OF CKTS	TIN		TIN		15 GOLD		15 GOLD		30 GOLD		30 GOLD		TIN															
	EDP NUMBER	ENG NUMBER	EDP NUMBER	ENG NUMBER	EDP NUMBER	ENG NUMBER	EDP NUMBER	ENG NUMBER	EDP NUMBER	ENG NUMBER	EDP NUMBER	ENG NUMBER	EDP NUMBER	ENG NUMBER	EDP NUMBER	ENG NUMBER	EDP NUMBER	ENG NUMBER	EDP NUMBER	ENG NUMBER								
06	15-42-7006	A-8724-06A164	15-42-7106	A-8724-06B164	15-29-7006	A-8724-06A571	15-29-7106	A-8724-06B571	15-41-8006	A-8724-06A574	15-41-8106	A-8724-06B574	15-41-9106	A-8724-06G164	15-42-7006	A-8724-06A164	15-42-7106	A-8724-06B164	15-29-7006	A-8724-06A571	15-29-7106	A-8724-06B571	15-41-8006	A-8724-06A574	15-41-8106	A-8724-06B574	15-41-9106	A-8724-06G164
08	15-42-7008	A-8724-08A164	15-42-7108	A-8724-08B164	15-29-7008	A-8724-08A571	15-29-7108	A-8724-08B571	15-41-8008	A-8724-08A574	15-41-8108	A-8724-08B574	15-41-9108	A-8724-08G164	15-42-7008	A-8724-08A164	15-42-7108	A-8724-08B164	15-29-7008	A-8724-08A571	15-29-7108	A-8724-08B571	15-41-8008	A-8724-08A574	15-41-8108	A-8724-08B574	15-41-9108	A-8724-08G164
10	15-42-7010	A-8724-10A164	15-42-7110	A-8724-10B164	15-29-7010	A-8724-10A571	15-29-7110	A-8724-10B571	15-41-8010	A-8724-10A574	15-41-8110	A-8724-10B574	15-41-9110	A-8724-10G164	15-42-7010	A-8724-10A164	15-42-7110	A-8724-10B164	15-29-7010	A-8724-10A571	15-29-7110	A-8724-10B571	15-41-8010	A-8724-10A574	15-41-8110	A-8724-10B574	15-41-9110	A-8724-10G164
12	15-42-7012	A-8724-12A164	15-42-7112	A-8724-12B164	15-29-7012	A-8724-12A571	15-29-7112	A-8724-12B571	15-41-8012	A-8724-12A574	15-41-8112	A-8724-12B574	15-41-9112	A-8724-12G164	15-42-7012	A-8724-12A164	15-42-7112	A-8724-12B164	15-29-7012	A-8724-12A571	15-29-7112	A-8724-12B571	15-41-8012	A-8724-12A574	15-41-8112	A-8724-12B574	15-41-9112	A-8724-12G164
14	15-42-7014	A-8724-14A164	15-42-7114	A-8724-14B164	15-29-7014	A-8724-14A571	15-29-7114	A-8724-14B571	15-41-8014	A-8724-14A574	15-41-8114	A-8724-14B574	15-41-9114	A-8724-14G164	15-42-7014	A-8724-14A164	15-42-7114	A-8724-14B164	15-29-7014	A-8724-14A571	15-29-7114	A-8724-14B571	15-41-8014	A-8724-14A574	15-41-8114	A-8724-14B574	15-41-9114	A-8724-14G164
16	15-42-7016	A-8724-16A164	15-42-7116	A-8724-16B164	15-29-7016	A-8724-16A571	15-29-7116	A-8724-16B571	15-41-8016	A-8724-16A574	15-41-8116	A-8724-16B574	15-41-9116	A-8724-16G164	15-42-7016	A-8724-16A164	15-42-7116	A-8724-16B164	15-29-7016	A-8724-16A571	15-29-7116	A-8724-16B571	15-41-8016	A-8724-16A574	15-41-8116	A-8724-16B574	15-41-9116	A-8724-16G164
18	15-42-7018	A-8724-18A164	15-42-7118	A-8724-18B164	15-29-7018	A-8724-18A571	15-29-7118	A-8724-18B571	15-41-8018	A-8724-18A574	15-41-8118	A-8724-18B574	15-41-9118	A-8724-18G164	15-42-7018	A-8724-18A164	15-42-7118	A-8724-18B164	15-29-7018	A-8724-18A571	15-29-7118	A-8724-18B571	15-41-8018	A-8724-18A574	15-41-8118	A-8724-18B574	15-41-9118	A-8724-18G164
20	15-42-7020	A-8724-20A164	15-42-7120	A-8724-20B164	15-29-7020	A-8724-20A571	15-29-7120	A-8724-20B571	15-41-8020	A-8724-20A574	15-41-8120	A-8724-20B574	15-41-9120	A-8724-20G164	15-42-7020	A-8724-20A164	15-42-7120	A-8724-20B164	15-29-7020	A-8724-20A571	15-29-7120	A-8724-20B571	15-41-8020	A-8724-20A574	15-41-8120	A-8724-20B574	15-41-9120	A-8724-20G164
22	15-42-7022	A-8724-22A164	15-42-7122	A-8724-22B164	15-29-7022	A-8724-22A571	15-29-7122	A-8724-22B571	15-41-8022	A-8724-22A574	15-41-8122	A-8724-22B574	15-41-9122	A-8724-22G164	15-42-7022	A-8724-22A164	15-42-7122	A-8724-22B164	15-29-7022	A-8724-22A571	15-29-7122	A-8724-22B571	15-41-8022	A-8724-22A574	15-41-8122	A-8724-22B574	15-41-9122	A-8724-22G164
24	15-42-7024	A-8724-24A164	15-42-7124	A-8724-24B164	15-29-7024	A-8724-24A571	15-29-7124	A-8724-24B571	15-41-8024	A-8724-24A574	15-41-8124	A-8724-24B574	15-41-9124	A-8724-24G164	15-42-7024	A-8724-24A164	15-42-7124	A-8724-24B164	15-29-7024	A-8724-24A571	15-29-7124	A-8724-24B571	15-41-8024	A-8724-24A574	15-41-8124	A-8724-24B574	15-41-9124	A-8724-24G164
26	15-42-7026	A-8724-26A164	15-42-7126	A-8724-26B164	15-29-7026	A-8724-26A571	15-29-7126	A-8724-26B571	15-41-8026	A-8724-26A574	15-41-8126	A-8724-26B574	15-41-9126	A-8724-26G164	15-42-7026	A-8724-26A164	15-42-7126	A-8724-26B164	15-29-7026	A-8724-26A571	15-29-7126	A-8724-26B571	15-41-8026	A-8724-26A574	15-41-8126	A-8724-26B574	15-41-9126	A-8724-26G164
28	15-42-7028	A-8724-28A164	15-42-7128	A-8724-28B164	15-29-7028	A-8724-28A571	15-29-7128	A-8724-28B571	15-41-8028	A-8724-28A574	15-41-8128	A-8724-28B574	15-41-9128	A-8724-28G164	15-42-7028	A-8724-28A164	15-42-7128	A-8724-28B164	15-29-7028	A-8724-28A571	15-29-7128	A-8724-28B571	15-41-8028	A-8724-28A574	15-41-8128	A-8724-28B574	15-41-9128	A-8724-28G164
30	15-42-7030	A-8724-30A164	15-42-7130	A-8724-30B164	15-29-7030	A-8724-30A571	15-29-7130	A-8724-30B571	15-41-8030	A-8724-30A574	15-41-8130	A-8724-30B574	15-41-9130	A-8724-30G164	15-42-7030	A-8724-30A164	15-42-7130	A-8724-30B164	15-29-7030	A-8724-30A571	15-29-7130	A-8724-30B571	15-41-8030	A-8724-30A574	15-41-8130	A-8724-30B574	15-41-9130	A-8724-30G164
32	15-42-7032	A-8724-32A164	15-42-7132	A-8724-32B164	15-29-7032	A-8724-32A571	15-29-7132	A-8724-32B571	15-41-8032	A-8724-32A574	15-41-8132	A-8724-32B574	15-41-9132	A-8724-32G164	15-42-7032	A-8724-32A164	15-42-7132	A-8724-32B164	15-29-7032	A-8724-32A571	15-29-7132	A-8724-32B571	15-41-8032	A-8724-32A574	15-41-8132	A-8724-32B574	15-41-9132	A-8724-32G164
34	15-42-7034	A-8724-34A164	15-42-7134	A-8724-34B164	15-29-7034	A-8724-34A571	15-29-7134	A-8724-34B571	15-41-8034	A-8724-34A574	15-41-8134	A-8724-34B574	15-41-9134	A-8724-34G164	15-42-7034	A-8724-34A164	15-42-7134	A-8724-34B164	15-29-7034	A-8724-34A571	15-29-7134	A-8724-34B571	15-41-8034	A-8724-34A574	15-41-8134	A-8724-34B574	15-41-9134	A-8724-34G164
36	15-42-7036	A-8724-36A164	15-42-7136	A-8724-36B164	15-29-7036	A-8724-36A571	15-29-7136	A-8724-36B571	15-41-8036	A-8724-36A574	15-41-8136	A-8724-36B574	15-41-9136	A-8724-36G164	15-42-7036	A-8724-36A164	15-42-7136	A-8724-36B164	15-29-7036	A-8724-36A571	15-29-7136	A-8724-36B571	15-41-8036	A-8724-36A574	15-41-8136	A-8724-36B574	15-41-9136	A-8724-36G164
38	15-42-7038	A-8724-38A164	15-42-7138	A-8724-38B164	15-29-7038	A-8724-38A571	15-29-7138	A-8724-38B571	15-41-8038	A-8724-38A574	15-41-8138	A-8724-38B574	15-41-9138	A-8724-38G164	15-42-7038	A-8724-38A164	15-42-7138	A-8724-38B164	15-29-7038	A-8724-38A571	15-29-7138	A-8724-38B571	15-41-8038	A-8724-38A574	15-41-8138	A-8724-38B574	15-41-9138	A-8724-38G164
40	15-42-7040	A-8724-40A164	15-42-7140	A-8724-40B164	15-29-7040	A-8724-40A571	15-29-7140	A-8724-40B571	15-41-8040	A-8724-40A574	15-41-8140	A-8724-40B574	15-41-9140	A-8724-40G164	15-42-7040	A-8724-40A164	15-42-7140	A-8724-40B164	15-29-7040	A-8724-40A571	15-29-7140	A-8724-40B571	15-41-8040	A-8724-40A574	15-41-8140	A-8724-40B574	15-41-9140	A-8724-40G164
42	15-42-7042	A-8724-42A164	15-42-7142	A-8724-42B164	15-29-7042	A-8724-42A571	15-29-7142	A-8724-42B571	15-41-8042	A-8724-42A574	15-41-8142	A-8724-42B574	15-41-9142	A-8724-42G164	15-42-7042	A-8724-42A164	15-42-7142	A-8724-42B164	15-29-7042	A-8724-42A571	15-29-7142	A-8724-42B571	15-41-8042	A-8724-42A574	15-41-8142	A-8724-42B574	15-41-9142	A-8724-42G164
44	15-42-7044	A-8724-44A164	15-42-7144	A-8724-44B164	15-29-7044	A-8724-44A571	15-29-7144	A-8724-44B571	15-41-8044	A-8724-44A574	15-41-8144	A-8724-44B574	15-41-9144	A-8724-44G164	15-42-7044	A-8724-44A164	15-42-7144	A-8724-44B164	15-29-7044	A-8724-44A571	15-29-7144	A-8724-44B571	15-41-8044	A-8724-44A574	15-41-8144	A-8724-44B574	15-41-9144	A-8724-44G164
46	15-42-7046	A-8724-46A164	15-42-7146	A-8724-46B164	15-29-7046	A-8724-46A571	15-29-7146	A-8724-46B571	15-41-8046	A-8724-46A574	15-41-8146	A-8724-46B574	15-41-9146	A-8724-46G164	15-42-7046	A-8724-46A164	15-42-7146	A-8724-46B164	15-29-7046	A-8724-46A571	15-29-7146	A-8724-46B571	15-41-8046	A-8724-46A574	15-41-8146	A-8724-46B574	15-41-9146	A-8724-46G164
48	15-42-7048	A-8724-48A164	15-42-7148	A-8724-48B164	15-29-7048	A-8724-48A571	15-29-7148	A-8724-48B571	15-41-8048	A-8724-48A574	15-41-8148	A-8724-48B574	15-41-9148	A-8724-48G164	15-42-7048	A-8724-48A164	15-42-7148	A-8724-48B164	15-29-7048	A-8724-48A571	15-29-7148	A-8724-48B571	15-41-8048	A-8724-48A574	15-41-8148	A-8724-48B574	15-41-9148	A-8724-48G164
50	15-42-7050	A-87																										