

**D-SUB Connector**

**SPECIFICATIONS**

**Mechanical**

**Contact Engagement Force** : 0.34 Kgf/ Pin max.  
**Contact Separation Force** : 0.021 Kgf/ Pin min.  
**Durability** : 500 Cycles

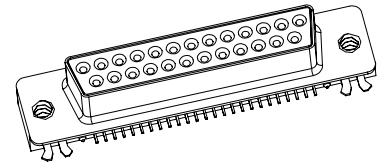
**Electrical**

**Voltage Rating**: 240V  
**Current Rating**: 1A  
**Contact Resistance**: 30 mΩ max.  
**Dielectric Withstanding Voltage**: 500V AC/1 min.  
**Insulation Resistance**: 5000MΩ

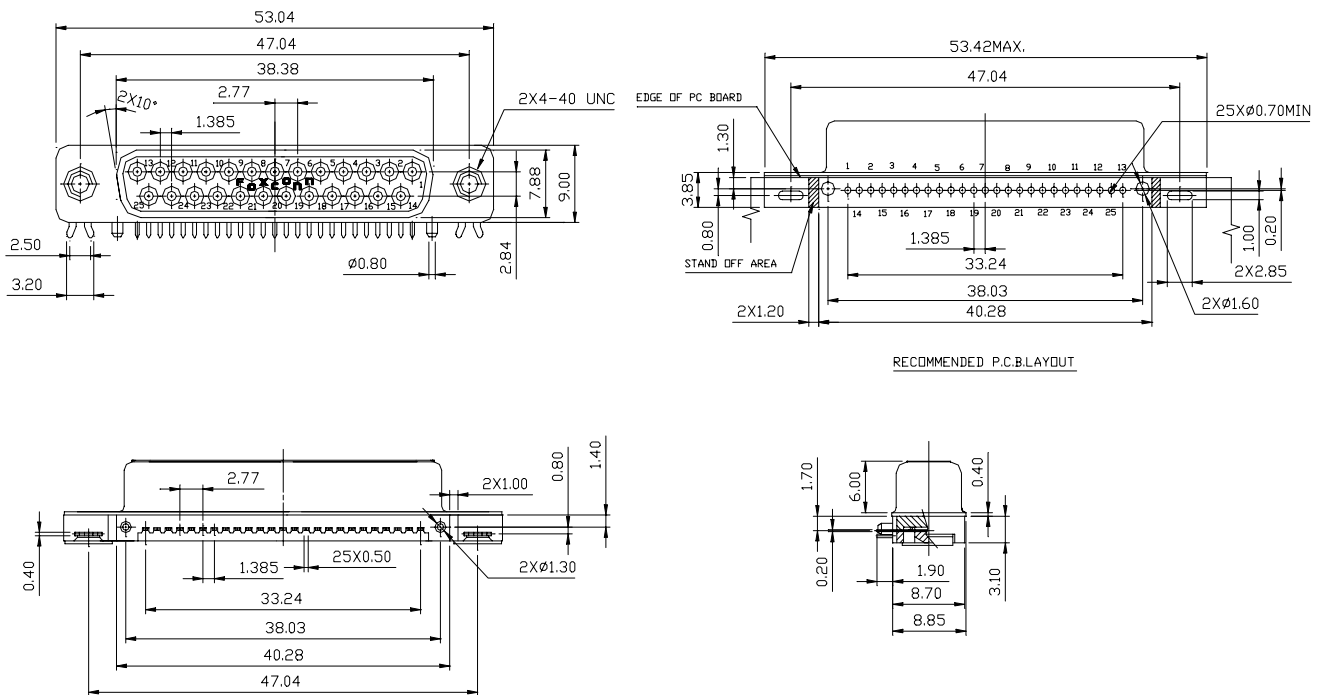
**Physical**

**Housing**: Thermoplastic, UL 94V-0 rated in Black/ PC99 Color  
**Contact**: Copper alloy  
**Plating**: See "ORDERING INFORMATION"  
**Solder Pad**: Copper alloy  
**Operating Temperature**: -55 to +105

**DZ Series**  
**Right Angle, T/H, Female**  
**Type**  
**15 Pos.**  
**Center Height 4.27 mm**  
**Recommended PCB's**  
**Thickness 1.0 or 1.2 mm**



**DRAWING**



**ORDERING INFORMATION**

