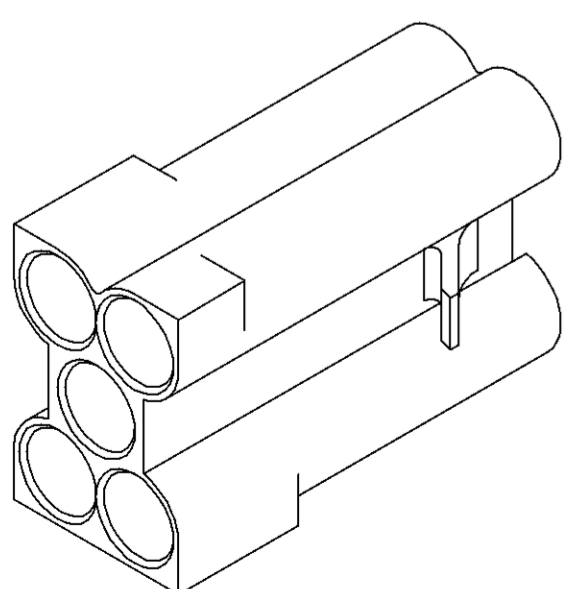
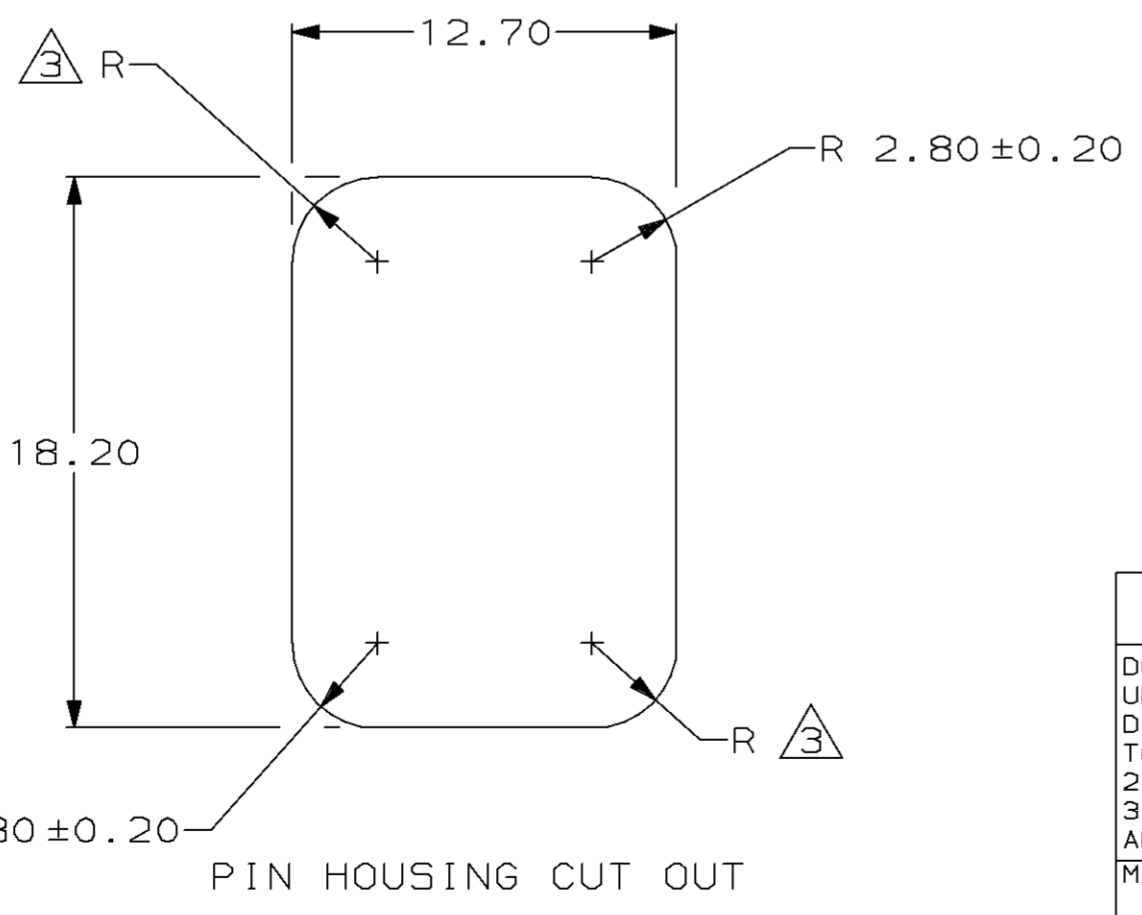
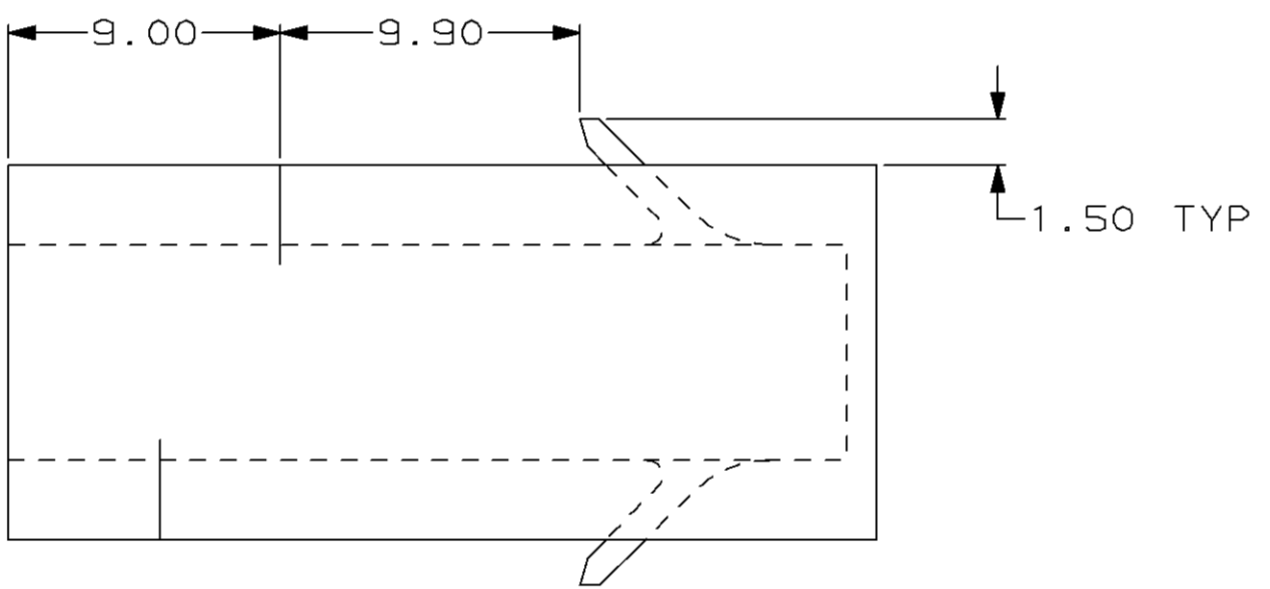
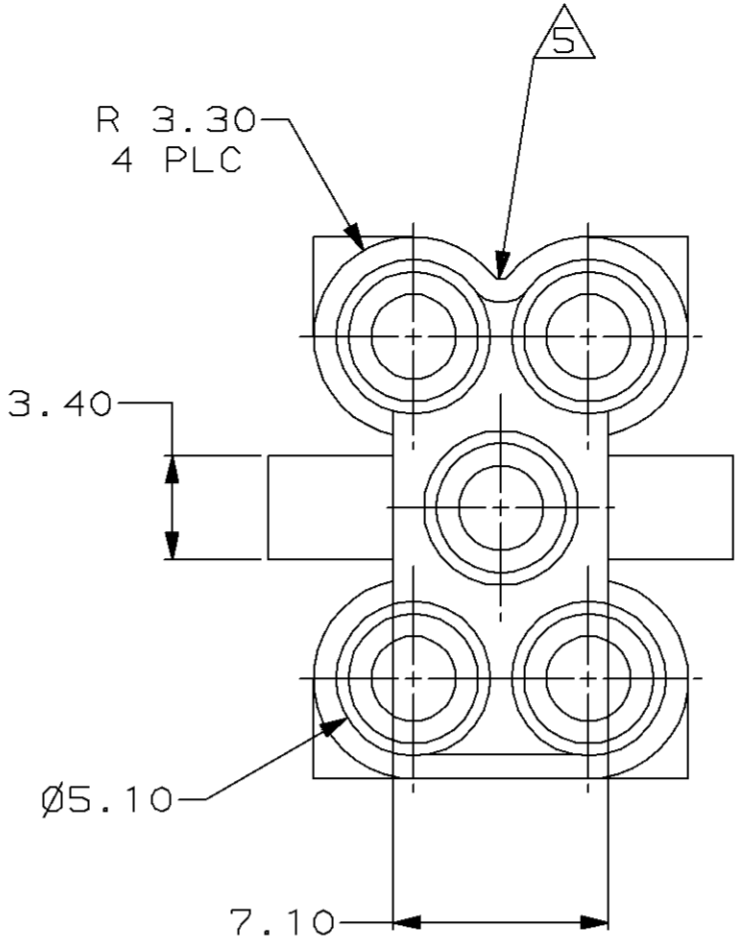
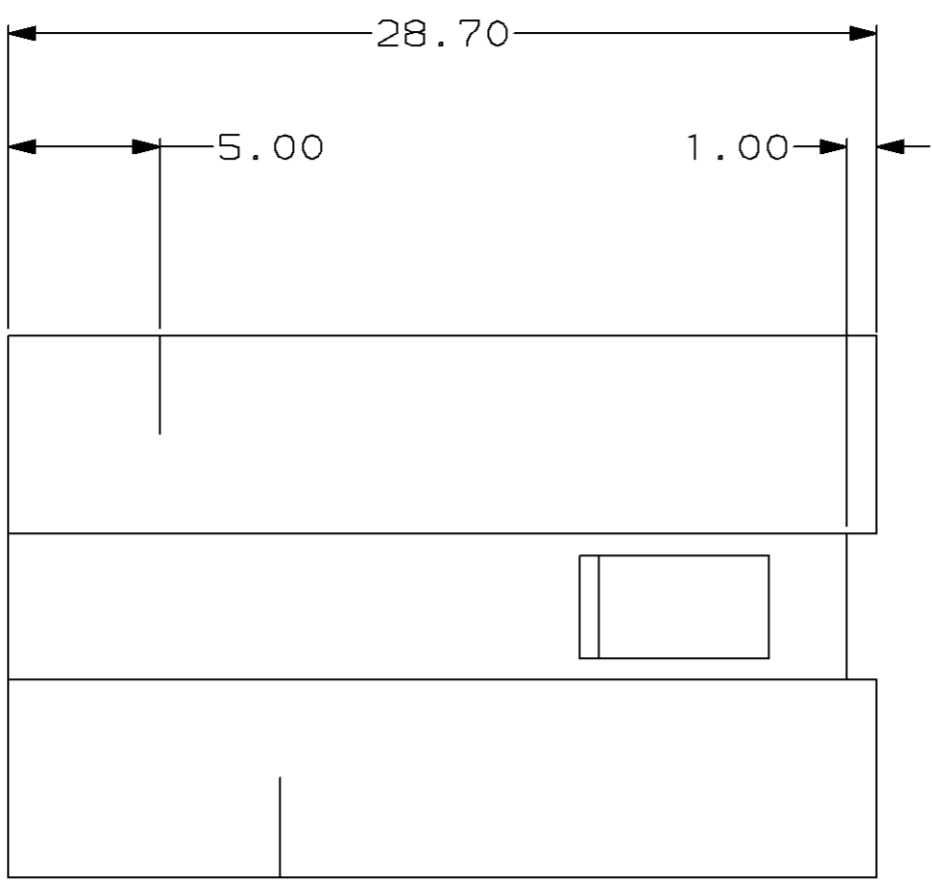
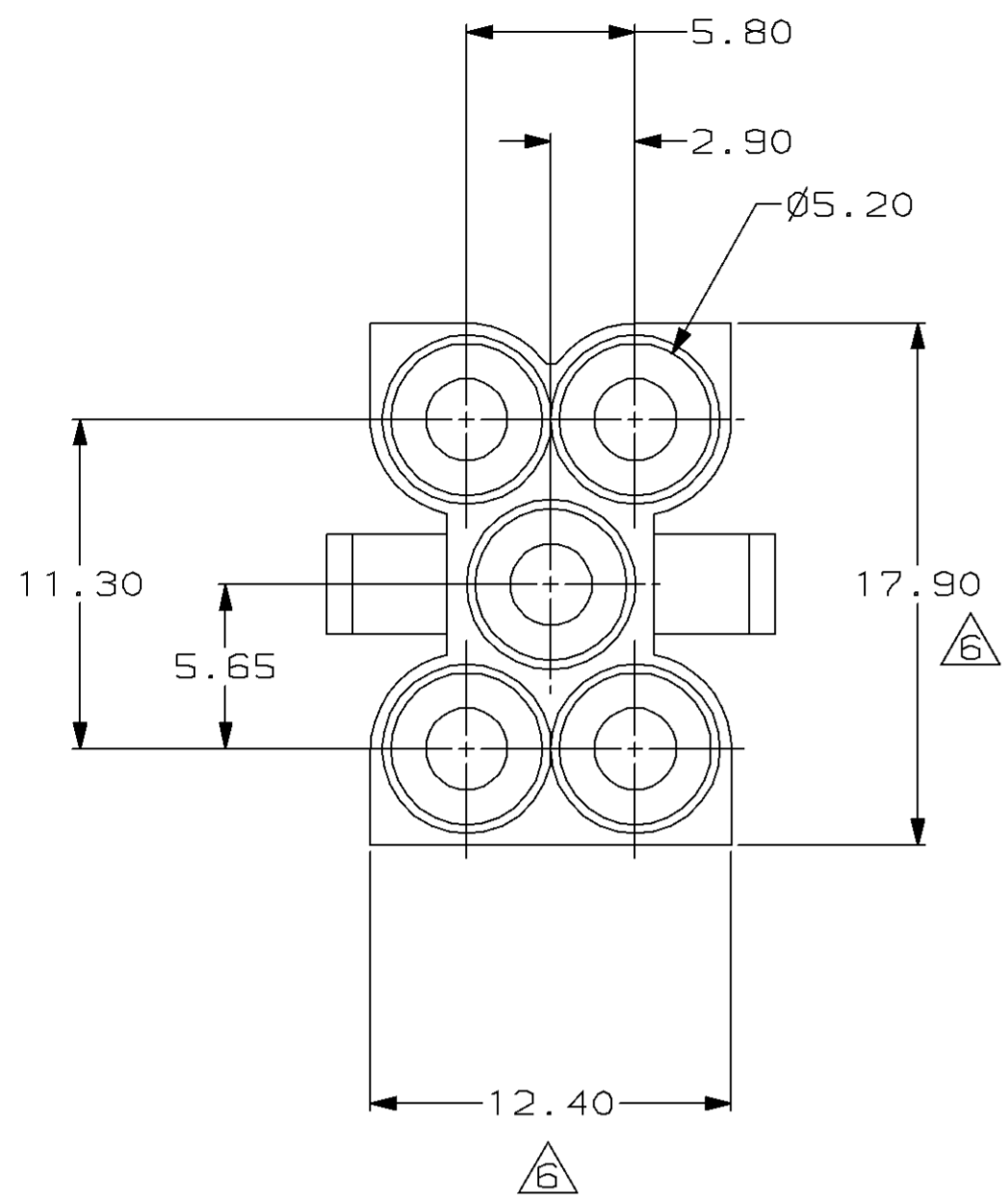


| LOC | | DIST | | REVISIONS | | | | DATE | APPD |
|-----|----|------|---|-----------|-----|---------------------|----------|------|------|
| CM | 53 | P | F | ZONE | LTR | DESCRIPTION | | | |
| | | | | | E | REV PER ECN CM-3994 | 12-18-92 | NG | |



THIS HOUSING TO BE INSTALLED IN SUBBASE

METRIC

THIS DRAWING IS A CONTROLLED DOCUMENT FOR AMP INCORPORATED. IT IS SUBJECT TO CHANGE AND THE CONTROLLING ENGINEERING ORGANIZATION SHOULD BE CONTACTED FOR THE LATEST REVISION.

- ACCEPTS MATE-N-LOK™ PIN 350218 IN CORNER CIRCUITS, AND GROUND PIN 350654 IN CENTER CIRCUIT.
 - CENTER GROUND PIN RECESSED 1.50 MIN AT MATING END; 3.10 MIN. AT BACK END. OTHER 4 PINS RECESSED 3.30 MIN AT MATING END; 3.80 MIN AT BACK END.
 - FOR SUB-BASES 1, 2, OR 3 RADII TO BE 0.20 MAX. FOR SUB-BASES 4, 5, OR 6 RADII TO BE 2.80 ± 0.20.
 - CAUTION: THIS CONNECTOR IS NOT POLARIZED. IT HAS BEEN DESIGNED IN ACCORDANCE WITH THE INTERNATIONAL ORGANIZATION FOR STANDARDIZATION DESIGN DEPICTED IN DOCUMENT 5599/III DATED 4-27-77 UNDER RESOLUTION 59 OF ISO/TC 131/SC5/WG 3. INTENDED USE IS AS SHOWN IN FIGURE 1-1.
- △5 VISUAL POLARIZING FEATURE.
- △6 DIMENSION INDICATED IS AS MOLDED. ADDITIONAL GROWTH DUE TO SUBSEQUENT MOISTURE ABSORPTION MAY OCCUR.

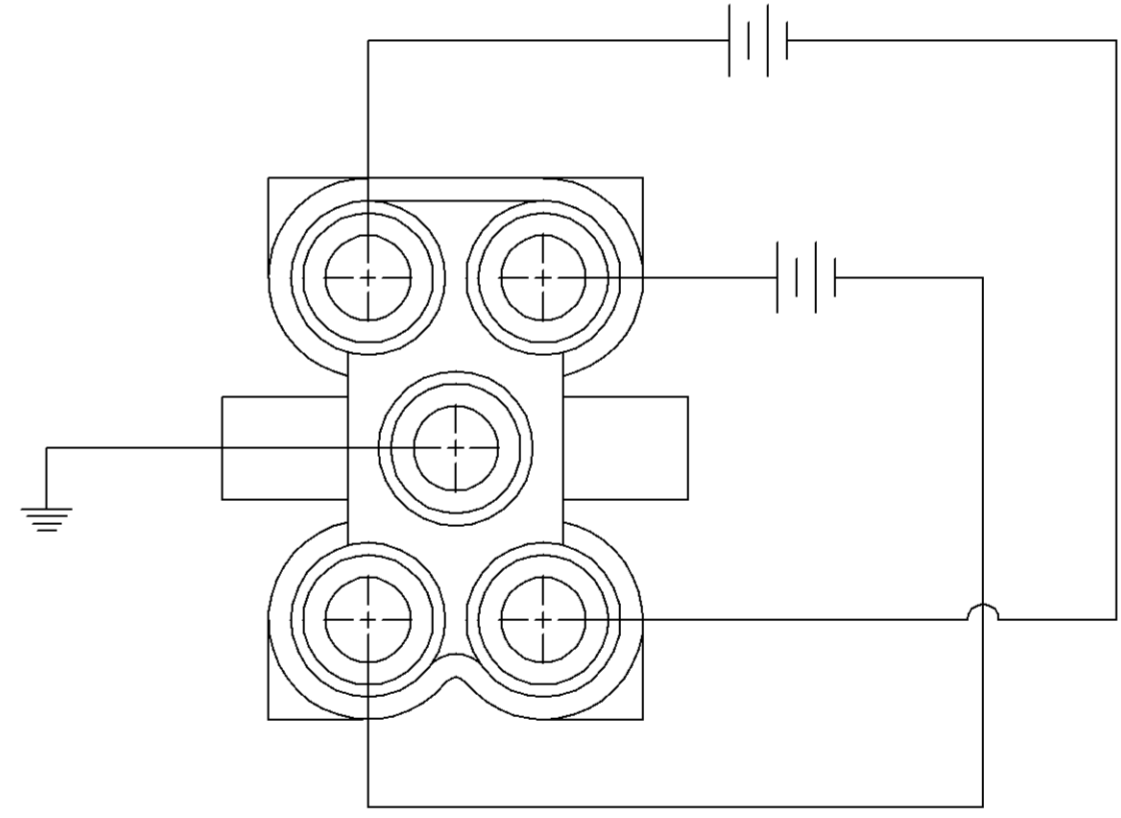


FIGURE 1-1

1-640405-0

PART NO

| | | | | | |
|---|--|----------------------------|--|--|--|
| DO NOT SCALE PRINT. UNLESS SPECIFIED DIMENSIONS IN mm [INCHES] TOLERANCES ON : 2 PLC DEC ± 0.10 3 PLC DEC ± - ANGLES ± - | | DR 11-30-92 K. WHITAKER | | AMP Incorporated Harrisburg, PA 17105-3608 | |
| MATERIAL NYLON, UL 94V-2 NATURAL | | CHK 11-30-92 R. SWING | | | |
| FINISH - | | APPD 12-11-92 D. SELF | | NAME VALVE CONNECTOR, PIN HOUSING, 5 CIRCUIT, UNIVERSAL MATE-N-LOK™ | |
| - | | APPD 12-11-92 D. SELF | | SIZE CAGE CODE DRAWING NO | |
| - | | PRODUCT SPEC - | | C=640405 | |
| - | | APPLICATION SPEC - | | SCALE 4:1 | |
| - | | WEIGHT - | | SHEET 1 OF 1 | |

CUSTOMER DRAWING