

SPECIFICATIONS

Mechanical

Contact Retention Force: 0.454 kgf min
Mating Force: 110g max Per Contact Pair.
Unmating Force: 15g min Per Contact Pair.
Durability: 500 Cycles.

Electrical

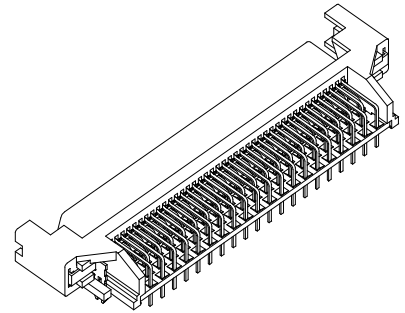
Voltage Rating: 30V
Current Rating: 1.0 Amps max. per pin
Contact Resistance: 30 mΩ max. initial
Dielectric Withstanding Voltage: 500V AC.
Insulation Resistance: 1000MΩ min.

Physical

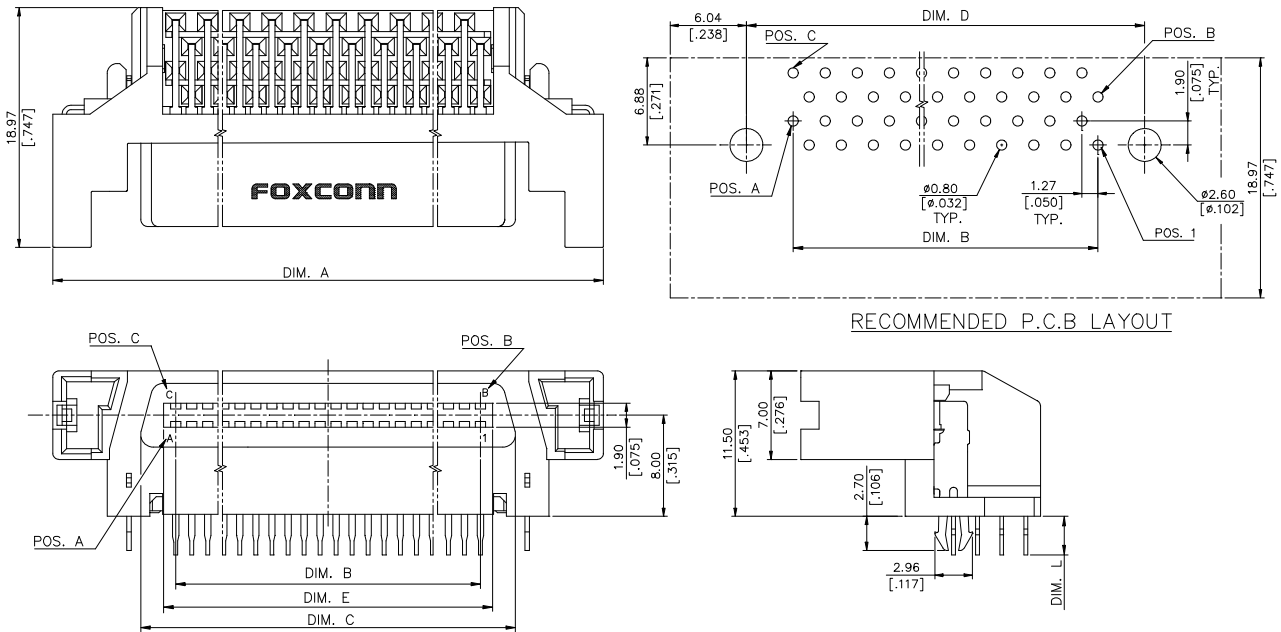
Housing: Thermoplastic, UL 94V-0 Rated in Black Color.
Contact: Copper alloy
Plating: See "ORDERING INFORMATION"
Operating Temperature: -40°C to +105°C

SCA-2 Connector

LS24 Series
R/A, T/H Type
Receptacle
1.27 mm [.050"] Pitch
80 Pos.



DRAWING



ORDERING INFORMATION

LS24 * * * -K * 4 *

No. OF POST: 20: 40 POS. 40: 80 POS.
 MATING AREA PLATING: 3: 30u" GOLD H: 30u" GOLD PLATING WITH LEAD FREE

TAIL LENGTH:
 2: DIM. L = 2.80 [110] mm 6: DIM. L = 3.40 [134] mm
 3: DIM. L = 3.18 [125] mm 9: DIM. L = 2.54 [100] mm

NONE: NO POST WITH SPACER AND WITHOUT PRE-LOAD
 A: ONE POST APPROACH TO POS.A AND WITHOUT PRE-LOAD
 B: ONE POST APPROACH TO POS.B AND WITHOUT PRE-LOAD
 E: NO POST WITH SPACER AND WITH PRE-LOAD
 F: ONE POST APPROACH TO POS.A AND WITH PRE-LOAD
 G: ONE POST APPROACH TO POS.B AND WITH PRE-LOAD

LS2440*-K*4	40/80	40	41	80	69.00 [2.719]	49.53 [1.951]	55.07 [2.170]	56.93 [2.243]	51.44 [2.027]
LS2420*-K*4	20/40	20	21	40	43.60 [1.718]	24.13 [.951]	29.67 [1.169]	31.53 [1.242]	26.04 [1.026]
P/N	POS.	POS.A	POS.B	POS.C	DIM. A	DIM. B	DIM. C	DIM. D	DIM. E