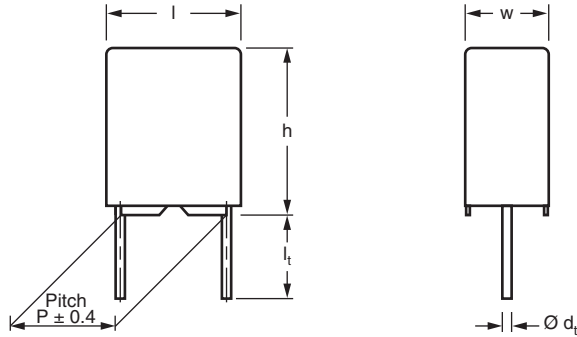


## Interference Suppression Film Capacitors MKT Radial Potted Type



Dimensions in mm

### APPLICATIONS

High stability grade for continuous across the line X2 applications.

See also "Application Note":  
[www.vishay.com/doc?28153](http://www.vishay.com/doc?28153)

### REFERENCE STANDARDS

IEC 60384-14 ed-3 and EN 60384-14  
"IEC 60065 pass. flamm. class C"  
UL 1283  
UL 1414  
CSA-E384-14

### MARKING

C-value; tolerance; rated voltage; sub-class; manufacturer's type; code for dielectric material; manufacturer location; manufacturer's logo; year and week; safety approvals

### DIELECTRIC

Polyester film

### ELECTRODES

Metallized

### CONSTRUCTION

Series construction



### RATED VOLTAGE

AC 310 V; 50 Hz to 60 Hz

### FEATURES

- 15 mm to 37.5 mm lead pitch
- AEC-Q200 qualified for  $C \leq 470$  nF
- Supplied loose in box, taped on reel
- Compliant to RoHS Directive 2002/95/EC

### PERMISSIBLE DC VOLTAGE

DC 800 V<sub>DC</sub> at 85 °C  
DC 630 V<sub>DC</sub> at 110 °C

### ENCAPSULATION

Plastic case, epoxy resin sealed, flame retardant UL-class 94 V-0

### CLIMATIC TESTING CLASS ACC. TO IEC 60068-1

40/110/56/C

### CAPACITANCE RANGE (E12 SERIES)

E12 series 0.01 µF to 2.2 µF  
Preferred values acc. to E6

### CAPACITANCE TOLERANCE

± 10 %, ± 20 % (± 5 % on request)

### LEADS

Tinned wire

### MAXIMUM APPLICATION TEMPERATURE

110 °C

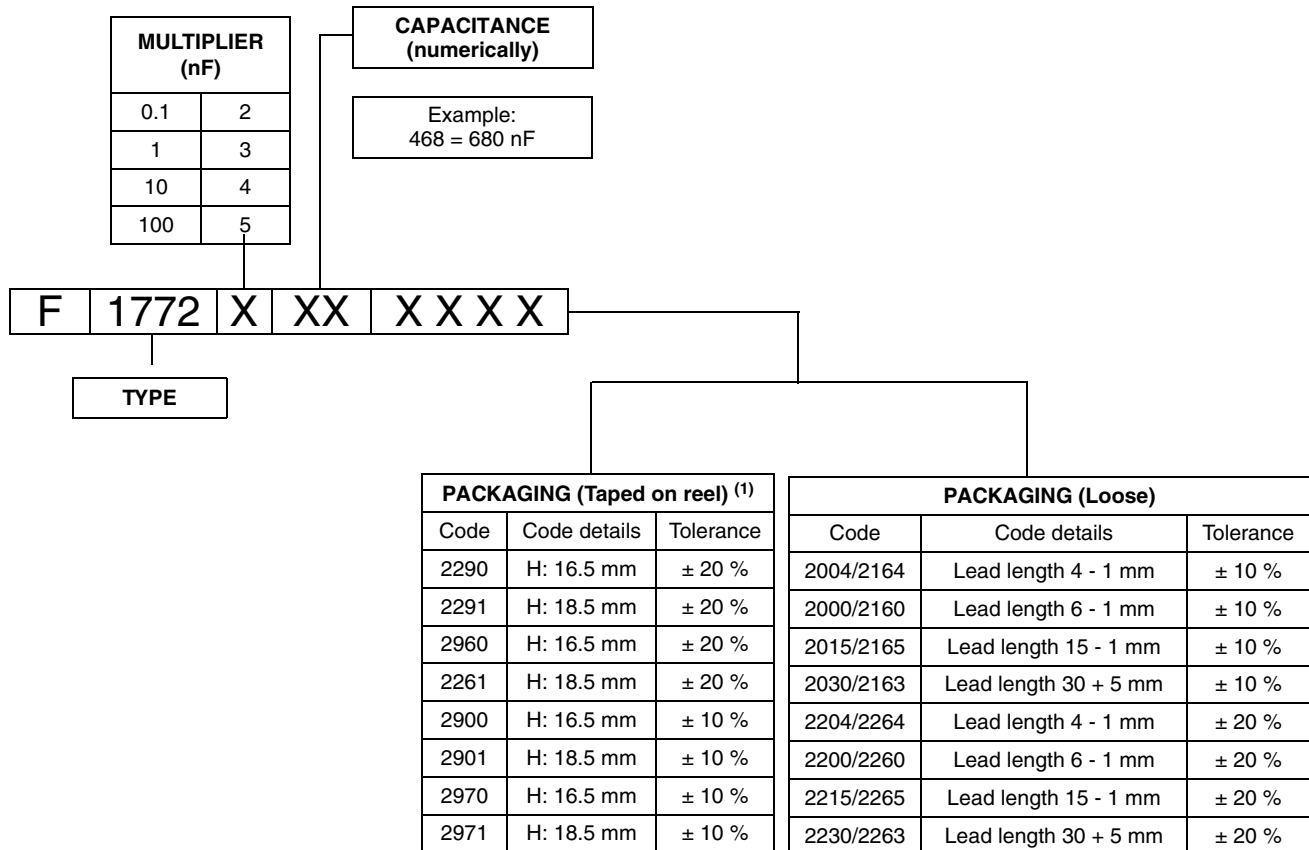
### DETAIL SPECIFICATION

For more detailed data and test requirements contact:  
[RFI@vishay.com](mailto:RFI@vishay.com)



**RoHS**  
COMPLIANT

## COMPOSITION OF CATALOG NUMBER



### Notes

- For detailed tape specifications refer to "Packaging Information" [www.vishay.com/doc?28139](http://www.vishay.com/doc?28139)
- <sup>(1)</sup> Taped on reel pitch  $\geq 27.5$  mm is not available

## SPECIFIC REFERENCE DATA

DESCRIPTION	VALUE
Rated AC voltage ( $U_{RAC}$ )	310 V
Permissible DC voltage ( $U_{RDC}$ )	630 V
Tangent of loss angle	$\leq 100 \times 10^{-4}$ at 1 kHz
Rated voltage pulse slope at $(dU/dt)_R$ 435 V <sub>DC</sub>	100 V/ $\mu$ s
R between leads, for $C \leq 0.33 \mu$ F at 100 V; 1 min	$> 15\ 000\ M\Omega$
RC between leads, $C > 0.33 \mu$ F at 100 V; 1 min	$> 5000$ s
R between leads and case; 100 V; 1 min	$> 30\ 000\ M\Omega$
Withstanding (DC) voltage (cut off current 10 mA) <sup>(1)</sup> ; rise time $\leq 1000$ V/s	
$C \leq 0.47 \mu$ F	2200 V; for 1 min
$C > 0.47 \mu$ F	2150 V; for 1 min
Withstanding (AC) voltage between leads and case	2120 V; 1 min
Maximum application temperature	110 °C

### Note

- <sup>(1)</sup> See "Voltage Proof Test for Metalized Film Capacitors": [www.vishay.com/doc?28139](http://www.vishay.com/doc?28139)



Interference Suppression Film Capacitors Vishay BCcomponents  
MKT Radial Potted Type

C-tol. = ± 10 %

CAPACITANCE (µF)	PITCH (mm)	DIMENSIONS w x h x l MAX. (mm)	MASS <sup>(3)</sup> (g)	SPQ (pieces) SHORT LEAD	ORDERING CODE <sup>(1)(2)</sup>
<b>d<sub>t</sub> = 0.60 mm ± 0.06 mm</b>					
0.010	15	5.0 x 11.0 x 17.5	1.4	750	F177231020..
0.012	15	5.0 x 11.0 x 17.5	1.4	750	F177231220..
0.015	15	5.0 x 11.0 x 17.5	1.4	750	F177231520..
0.018	15	5.0 x 11.0 x 17.5	1.4	750	F177231820..
0.022	15	5.0 x 11.0 x 17.5	1.4	750	F177232220..
0.027	15	5.0 x 11.0 x 17.5	1.4	750	F177232720..
0.033	15	5.0 x 11.0 x 17.5	1.4	750	F177233320..
0.039	15	6.0 x 12.0 x 17.5	2.0	500	F177233920..
0.047	15	6.0 x 12.0 x 17.5	2.0	500	F177234720..
0.056	15	6.0 x 12.0 x 17.5	2.0	500	F177235620..
<b>d<sub>t</sub> = 0.80 mm ± 0.08 mm</b>					
0.068	15	7.0 x 13.5 x 17.5	2.4	450	F177236820..
0.082	15	8.5 x 15.0 x 17.5	2.7	300	F177238220..
0.10	15	8.5 x 15.0 x 17.5	2.7	325	F177241020..
0.12	15	8.5 x 15.0 x 17.5	2.7	300	F177241220..
0.15	15	8.5 x 15.0 x 17.5	2.7	300	F1772415216.
0.15	22.5	7.0 x 16.5 x 26.0	4.1	235	F177241520..
0.18	22.5	7.0 x 16.5 x 26.0	4.1	235	F177241820..
0.22	15	10.0 x 16.5 x 17.5	3.0	235	F1772422216.
0.22	22.5	8.5 x 18.0 x 26.0	4.6	200	F177242220..
0.27	22.5	10.0 x 19.5 x 26.0	6.7	170	F177242720..
0.33	15	13.5 x 22.5 x 18.0	5.5	185	F1772433216.
0.33	22.5	10.0 x 19.5 x 26.0	6.7	170	F177243320..
0.39	27.5	11.0 x 21.0 x 31.0	9.1	125	F177243920..
0.47	22.5	12.0 x 22.0 x 26.0	13.0	110	F17724472160
0.47	27.5	11.0 x 21.0 x 31.0	9.1	125	F177244720..
0.56	27.5	11.0 x 21.0 x 31.0	9.1	125	F177245620..
0.68	22.5	15.5 x 26.5 x 26.5	13.5	110	F1772468216.
0.68	27.5	13.0 x 23.0 x 31.0	12.9	110	F177246820..
0.82	27.5	13.0 x 23.0 x 31.0	12.9	110	F177248220..
1.0	22.5	15.5 x 26.5 x 26.5	13.5	110	F1772510216.
1.0	27.5	15.0 x 25.0 x 31.5	15.0	100	F177251020..
1.2	37.5	14.5 x 24.5 x 41.5	18.9	80	F177251220..
1.5	27.5	18.0 x 28.0 x 31.0	19.0	85	F1772515216.
1.5	37.5	15.5 x 28.5 x 41.5	24.0	70	F177251520..
1.8	37.5	15.5 x 28.5 x 41.5	24.0	70	F177251820..
2.2	27.5	21.0 x 31.0 x 31.0	28.0	70	F1772522216.
2.2	37.5	18.0 x 32.5 x 41.5	31.6	60	F177252220..

Notes

- (1) These capacitors can be delivered on continuous tape and reel.  
The ordering code is:  
F1772-...-2900 at H = 16.5 mm  
F1772-...-2901 at H = 18.5 mm  
F1772-...-2970 at H = 16.5 mm  
F1772-...-2971 at H = 18.5 mm
- (2) Further information about packaging quantities with different lead length and/or taped versions, see document "Packaging Quantities"  
[www.vishay.com/doc?27608](http://www.vishay.com/doc?27608)
- (3) Weight for short lead product only
  - SPQ = Standard Packing Quantity
  - For detailed tape specifications refer to packaging information: [www.vishay.com/doc?28139](http://www.vishay.com/doc?28139)

# F1772-2 310 V-X2



## Vishay BCcomponents Interference Suppression Film Capacitors MKT Radial Potted Type

C-tol. = ± 20 %

CAPACITANCE (µF)	PITCH (mm)	DIMENSIONS w x h x l MAX. (mm)	MASS (g)	SPQ (pieces) SHORT LEAD	ORDERING CODE <sup>(1)(2)</sup>
<b>d<sub>t</sub> = 0.60 mm ± 0.06 mm</b>					
0.01	15	5.0 x 11.0 x 17.5	1.4	750	F177231022..
0.015	15	5.0 x 11.0 x 17.5	1.4	750	F177231522..
0.022	15	5.0 x 11.0 x 17.5	1.4	750	F177232222..
0.033	15	5.0 x 11.0 x 17.5	1.4	750	F177233322..
0.047	15	5.0 x 11.0 x 17.5	1.4	750	F177234722..
0.068	15	6.0 x 12.0 x 17.5	2.0	600	F177236822..
0.10	15	6.0 x 12.0 x 17.5	2.0	600	F177241022..
<b>d<sub>t</sub> = 0.80 mm ± 0.08 mm</b>					
0.15	15	8.5 x 15.0 x 17.5	2.7	325	F1772415226..
0.15	22.5	6.0 x 15.5 x 26.0	3.3	260	F177241522...
0.22	15	10.0 x 16.5 x 17.5	4.5	300	F1772422226..
0.22	22.5	7.0 x 16.5 x 26.0	4.1	235	F177242222...
0.33	15	13.5 x 22.5 x 18.0	5.5	185	F1772433226..
0.33	22.5	8.5 x 18.0 x 26.0	5.3	190	F177243322..
0.47	22.5	10.0 x 19.5 x 26.0	6.7	170	F1772447226..
0.47	27.5	9.0 x 19.0 x 31.5	6.8	160	F177244722..
0.68	22.5	12.0 x 22.0 x 26.0	13.4	110	F1772468226..
0.68	27.5	11.0 x 21.0 x 31.0	12.9	125	F177246822..
1.0	22.5	15.5 x 26.5 x 26.5	13.5	110	F1772510226..
1.0	27.5	15.0 x 25.0 x 31.5	15.0	100	F177251022..
1.5	27.5	18.0 x 28.0 x 31.5	19.0	85	F1772515226..
1.5	37.5	14.5 x 24.5 x 41.5	18.9	80	F177251522..
2.2	27.5	21.0 x 31.0 x 31.0	28.0	70	F1772522226..
2.2	37.5	15.5 x 28.5 x 41.5	24.0	70	F177252222..

### Notes

(1) These capacitors can be delivered on continuous tape and reel

The ordering code is:

F 1772-...-2290 at H = 16.5 mm

F 1772-...-2291 at H = 18.5 mm

F 1772-...-2960 at H = 16.5 mm

F 1772-...-2961 at H = 18.5 mm

(2) Further information about packing quantities with different lead length and/or taped versions, see document "Packing Quantities"

[www.vishay.com/docs?27608](http://www.vishay.com/docs?27608)

• SPQ = Standard Packing Quantity

• For detailed tape specifications refer to Packaging Information: [www.vishay.com/doc?28139](http://www.vishay.com/doc?28139)

### APPROVALS

SAFETY APPROVALS X2	VOLTAGE	VALUE	FILE NUMBERS
EN 60384-14 (ENEC) (= IEC 60384-14 ed 3)	310 V <sub>AC</sub>	0.01 - 2.2 µF X2	40005079
UL 1414	250 V <sub>AC</sub>	0.01 - 1.0 µF X2	E 100682
UL 1283	250 V <sub>AC</sub>	0.01 - 2.2 µF X2	E 76297
CSA-E 384-14	310 V <sub>AC</sub>	0.01 - 2.2 µF X2	2127723
CB TEST-CERTIFICATE	310 V <sub>AC</sub>	0.01 - 2.2 µF X2	DE 1-40110/A1

The ENEC-approval together with the CB-Certificate replace all national marks of the following countries (they have already signed the ENEC-Agreement): Austria; Belgium; Czech. Republic; Denmark; Finland; France; Germany; Greece; Hungary; Ireland; Italy; Luxembourg; Netherlands; Norway; Portugal; Slovenian; Spain; Sweden; Switzerland and United Kingdom.



## MOUNTING

### Normal Use

The capacitors are designed for mounting on printed-circuit boards. The capacitors packed in bandoliers are designed for mounting in printed-circuit boards by means of automatic insertion machines. For detailed tape specifications refer to "Packaging Information".

### Specific Method of Mounting to Withstand Vibration and Shock

In order to withstand vibration and shock tests, it must be ensured that stand-off pips are in good contact with the printed-circuit board:

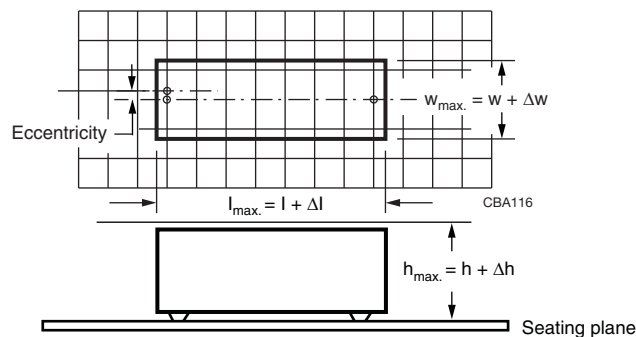
- For pitches  $\leq 15$  mm capacitors shall be mechanically fixed by the leads
- For larger pitches the capacitors shall be mounted in the same way and the body clamped

### Space Requirements on Printed Circuit Board

The maximum space for length ( $l_{max.}$ ), width ( $w_{max.}$ ) and height ( $h_{max.}$ ) of film capacitors to take in account on the printed circuit board is shown in the drawings.

- For products with pitch  $\leq 15$  mm,  $\Delta w = \Delta l = 0.3$  mm;  $\Delta h = 0.1$  mm
- For products with  $15$  mm  $<$  pitch  $\leq 27.5$  mm,  $\Delta w = \Delta l = 0.5$  mm;  $\Delta h = 0.1$  mm
- For products with pitch = 37.5 mm,  $\Delta w = \Delta l = 0.7$  mm;  $\Delta h = 0.5$  mm

Eccentricity defined as in drawing. The maximum eccentricity is smaller than or equal to the lead diameter of the product concerned.



## SOLDERING CONDITIONS

For general soldering conditions and wave soldering profile, we refer to the application note: "Soldering Guidelines for Film Capacitors": [www.vishay.com/doc?28171](http://www.vishay.com/doc?28171)

### Storage Temperature

- Storage temperature:  $T_{stg} = -25$  °C to  $+40$  °C with RH maximum 80 % without condensation

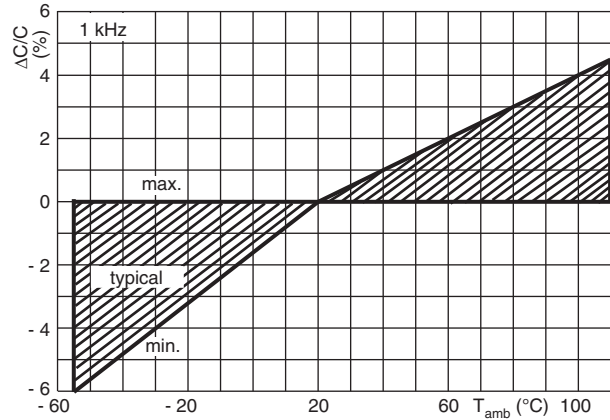
### Ratings and Characteristics Reference Conditions

Unless otherwise specified, all electrical values apply to an ambient temperature of  $23$  °C  $\pm 1$  °C, an atmospheric pressure of 86 kPa to 106 kPa and a relative humidity of  $50$  %  $\pm 2$  %.

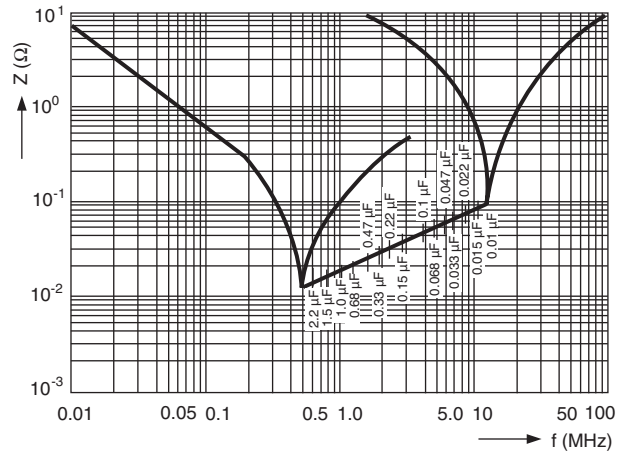
For reference testing, a conditioning period shall be applied over  $96$  h  $\pm 4$  h by heating the products in a circulating air oven at the rated temperature and a relative humidity not exceeding 20 %.

### CHARACTERISTICS

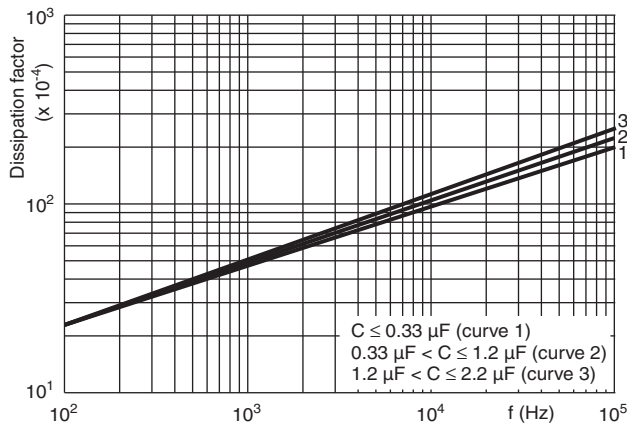
Capacitance as a function of ambient temperature (typical curve)



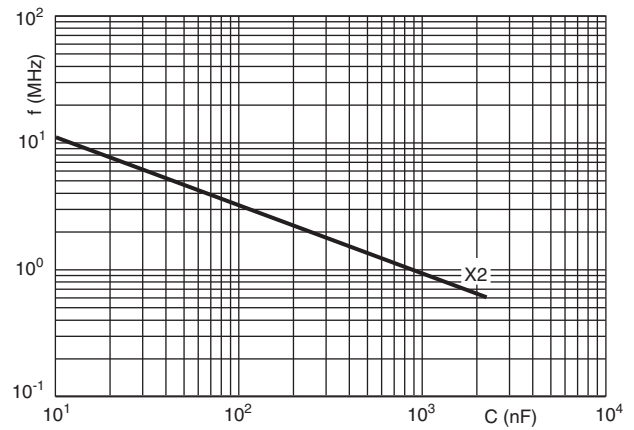
Impedance as a function of frequency (typical curve)



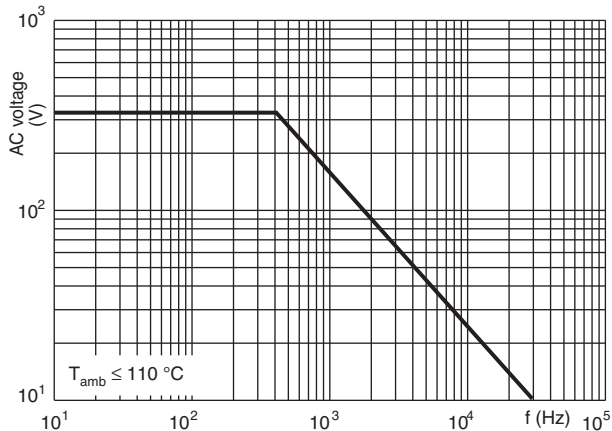
Tangent of loss angle as a function of frequency (typical curve)



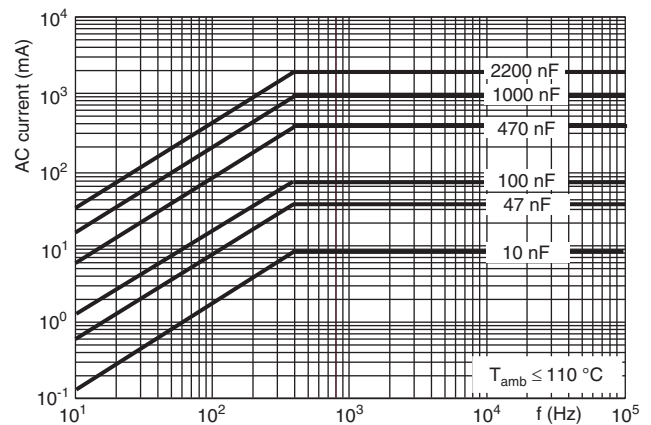
Resonant frequency as a function of capacitance (typical curve)



Max. RMS voltage as a function of frequency

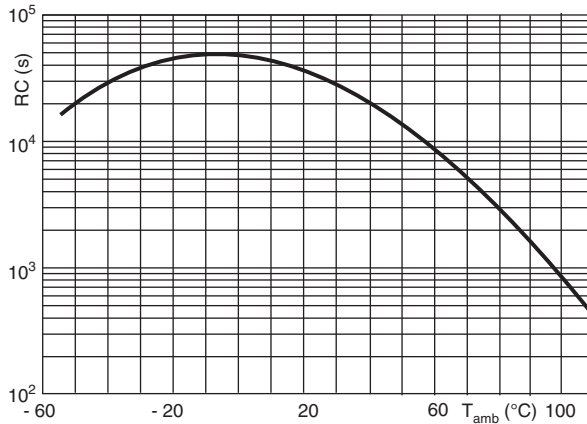


Max. RMS current as a function of frequency





Insulation resistance as a function of ambient temperature  
(typical curve)



**APPLICATION NOTES AND LIMITING CONDITIONS**

- For X2 electromagnetic interference suppression where a higher stability grade is needed for **continuous across the line applications** (50 Hz/60 Hz) with a maximum mains voltage of 310 V<sub>AC</sub>.
- These capacitors are not intended for continuous pulse application. For these situations capacitors of the AC and pulse programs must be used.
- For series impedance applications we refer to application note: [www.vishay.com/doc?28153](http://www.vishay.com/doc?28153)
- The maximum ambient temperature must not exceed 110 °C.
- Rated voltage pulse slope:  
If the pulse voltage is lower than the rated voltage, the values of the specific reference data can be multiplied by 435 V<sub>DC</sub> and divided by the applied voltage.

**INSPECTION REQUIREMENTS**

**General Notes:**

Sub-clause numbers of tests and performance requirements refer to the “Sectional Specification, Publication IEC 60384-14 ed 3 and Specific Reference Data”.

**Group C Inspection Requirements**

SUB-CLAUSE NUMBER AND TEST	CONDITIONS	PERFORMANCE REQUIREMENTS
<b>SUB-GROUP C1A PART OF SAMPLE OF SUB-GROUP C1</b>		
4.1 Dimensions (detail)  Initial measurements	Capacitance Tangent of loss angle: For C ≤ 1 μF at 10 kHz For C > 1 μF at 1 kHz	As specified in chapter “General Data” of this specification
4.3 Robustness of terminations	Tensile: Load 10 N; 10 s Bending: Load 5 N; 4 x 90°	No visible damage
4.4 Resistance to soldering heat	No pre-drying Method: 1A Solder bath: 280 °C ± 5 °C Duration: 10 s	

Vishay BCcomponents Interference Suppression Film Capacitors  
MKT Radial Potted Type

SUB-CLAUSE NUMBER AND TEST	CONDITIONS	PERFORMANCE REQUIREMENTS
<b>SUB-GROUP C1A PART OF SAMPLE OF SUB-GROUP C1</b>		
4.19 Component solvent resistance  4.4.2 Final measurements	Isopropylalcohol at room temperature Method: 2 Immersion time: 5 ± 0.5 min Recovery time: Min. 1 h, max. 2 h  Visual examination  Capacitance  Tangent of loss angle  Insulation resistance	No visible damage Legible marking  $ \Delta C/C  \leq 5\%$ of the value measured initially  Increase of $\tan \delta$ $\leq 0.008$ for: $C \leq 1 \mu\text{F}$ or $\leq 0.005$ for: $C > 1 \mu\text{F}$ Compared to values measured initially As specified in section "Insulation Resistance" of this specification
<b>SUB-GROUP C1B PART OF SAMPLE OF SUB-GROUP C1</b>		
Initial measurements  4.20 Solvent resistance of the marking  4.6 Rapid change of temperature  4.6.1 Inspection  4.7 Vibration  4.7.2 Final inspection  4.9 Shock  4.9.2 Final measurements	Capacitance Tangent of loss angle: For $C \leq 1 \mu\text{F}$ at 10 kHz For $C > 1 \mu\text{F}$ at 1 kHz  Isopropylalcohol at room temperature Method: 1 Rubbing material: Cotton wool Immersion time: 5 min ± 0.5 min  $\theta A = -40^\circ\text{C}$ $\theta B = +110^\circ\text{C}$ 5 cycles Duration $t = 30$ min  Visual examination  Mounting: See section "Mounting" of this specification Procedure B4 Frequency range: 10 Hz to 55 Hz Amplitude: 0.75 mm or Acceleration 98 m/s <sup>2</sup> (whichever is less severe) Total duration 6 h  Visual examination  Mounting: See section "Mounting" for more information Pulse shape: Half sine Acceleration: 490 m/s <sup>2</sup> Duration of pulse: 11 ms  Visual examination  Capacitance  Tangent of loss angle  Insulation resistance	No visible damage Legible marking  No visible damage  No visible damage  No visible damage  No visible damage  $ \Delta C/C  \leq 5\%$ of the value measured initially  Increase of $\tan \delta$ $\leq 0.008$ for: $C \leq 1 \mu\text{F}$ or $\leq 0.005$ for: $C > 1 \mu\text{F}$ Compared to values measured initially As specified in section "Specific Reference" of this specification



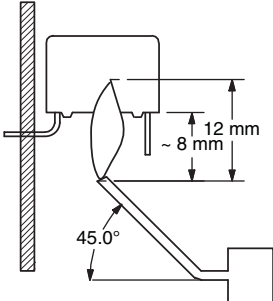


Interference Suppression Film Capacitors Vishay BCcomponents  
MKT Radial Potted Type

SUB-CLAUSE NUMBER AND TEST	CONDITIONS	PERFORMANCE REQUIREMENTS
<b>SUB-GROUP C1 COMBINED SAMPLE OF SPECIMENS OF SUB-GROUPS C1A AND C1B</b>		
4.11 Climatic sequence 4.11.1 Initial measurements 4.11.2 Dry heat 4.11.3 Damp heat cyclic Test Db, first cycle 4.11.4 Cold 4.11.5 Damp heat cyclic Test Db, remaining cycles 4.11.6 Final measurements	Capacitance Measured in 4.4.2 and 4.9.2 Tangent of loss angle Measured initially in C1A and C1B Temperature: 110 °C Duration: 16 h Temperature: - 40 °C Duration: 2 h Visual examination Capacitance Tangent of loss angle Voltage proof 1350 V <sub>DC</sub> 1 min between terminations Insulation resistance	No visible damage Legible marking $ \Delta C/C  \leq 5\%$ of the value measured in 4.11.1 Increase of $\tan \delta$ $\leq 0.008$ for: $C \leq 1 \mu\text{F}$ or $\leq 0.005$ for: $C > 1 \mu\text{F}$ Compared to values measured in 4.11.1 No permanent breakdown or flash-over $\geq 50\%$ of values specified in section "Insulation Resistance" of this specification
<b>SUB-GROUP C2</b>		
4.12 Damp heat steady state 4.12.1 Initial measurements 4.12.3 Final measurements	56 days, 40 °C, 90 % to 95 % RH No load Capacitance Tangent of loss angle: 1 kHz Visual examination Capacitance Tangent of loss angle Voltage proof 1350 V <sub>DC</sub> ; 1 min between terminations Insulation resistance	No visible damage Legible marking $ \Delta C/C  \leq 5\%$ of the value measured in 4.12.1 Increase of $\tan \delta$ $\leq 0.008$ for: $C \leq 1 \mu\text{F}$ or $\leq 0.005$ for: $C > 1 \mu\text{F}$ Compared to values measured in 4.12.1 No permanent breakdown or flash-over $\geq 50\%$ of values specified in section "Insulation Resistance" of this specification
<b>SUB-GROUP C3</b>		
4.13.1 Initial measurements 4.13 Impulse voltage	Capacitance Tangent of loss angle: For $C \leq 1 \mu\text{F}$ at 10 kHz For $C > 1 \mu\text{F}$ at 1 kHz 3 successive impulses, full wave, peak voltage: X2: 2.5 kV for $C \leq 1 \mu\text{F}$ X2: 2.5 kV/ $\sqrt{C}$ for $C > 1 \mu\text{F}$ Max. 24 pulses	No self healing breakdowns or flash-over

Vishay BCcomponents Interference Suppression Film Capacitors  
MKT Radial Potted Type

SUB-CLAUSE NUMBER AND TEST	CONDITIONS	PERFORMANCE REQUIREMENTS
<b>SUB-GROUP C3</b>		
4.14 Endurance	Duration: 1000 h 1.25 x U <sub>RAC</sub> at 110 °C Once in every hour the voltage is increased to 1000 V (RMS) for 0.1 s via resistor of 47 Ω ± 5 %	
4.14.7 Final measurements	Visual examination  Capacitance  Tangent of loss angle  Voltage proof 1350 V <sub>DC</sub> ; 1 min between terminations 2120 V <sub>AC</sub> ; 1 min between terminations and case  Insulation resistance	No visible damage Legible marking   ΔC/C  ≤ 5 % compared to values measured in 4.13.1  Increase of tan δ ≤ 0.008 for: C ≤ 1 μF or ≤ 0.005 for: C > 1 μF Compared to values measured in 4.13.1  No permanent breakdown or flash-over  ≥ 50 % of values specified in section "Insulation Resistance" of this specification
<b>SUB-GROUP C4</b>		
4.15 Charge and discharge	10 000 cycles Charged to 435 V <sub>DC</sub> Discharge resistance: $R = \frac{435 V_{DC}}{1.5 \times C(dU/dt)}$	
4.15.1 Initial measurements	Capacitance Tangent of loss angle: For C ≤ 1 μF at 10 kHz For C > 1 μF at 1 kHz	
4.13.3 Final measurements	Capacitance  Tangent of loss angle  Insulation resistance	ΔC/C  ≤ 10 % compared to values measured in 4.15.1  Increase of tan δ ≤ 0.008 for: C ≤ 1 μF or ≤ 0.005 for: C > 1 μF Compared to values measured in 4.15.1  ≥ 50 % of values specified in section "Insulation Resistance" of this specification
<b>SUB-GROUP C5</b>		
4.16 Radio frequency characteristic	Resonance frequency	≥ 0.9 times the value as specified in section "Resonant Frequency" of this specification.

SUB-CLAUSE NUMBER AND TEST	CONDITIONS	PERFORMANCE REQUIREMENTS
<b>SUB-GROUP C6</b>		
4.17    Passive flammability Class C	Bore of gas jet: $\varnothing$ 0.5 mm Fuel: Butane Test duration for actual volume V in mm <sup>3</sup> : V ≤ 250: 5 s 250 < V ≤ 500: 10 s 500 < V ≤ 1750: 20 s V > 1750: 30 s One flame application 	After removing test flame from capacitor, the capacitor must not continue to burn for more than 30 s. No burning particle must drop from the sample
<b>SUB-GROUP C7</b>		
4.18    Active flammability	20 cycles of 2.5 kV discharges on the test capacitor connected to U <sub>RAC</sub>	The cheese cloth around the capacitors shall not burn with a flame No electrical measurements are required



## **Disclaimer**

ALL PRODUCT, PRODUCT SPECIFICATIONS AND DATA ARE SUBJECT TO CHANGE WITHOUT NOTICE TO IMPROVE RELIABILITY, FUNCTION OR DESIGN OR OTHERWISE.

Vishay Intertechnology, Inc., its affiliates, agents, and employees, and all persons acting on its or their behalf (collectively, "Vishay"), disclaim any and all liability for any errors, inaccuracies or incompleteness contained in any datasheet or in any other disclosure relating to any product.

Vishay makes no warranty, representation or guarantee regarding the suitability of the products for any particular purpose or the continuing production of any product. To the maximum extent permitted by applicable law, Vishay disclaims (i) any and all liability arising out of the application or use of any product, (ii) any and all liability, including without limitation special, consequential or incidental damages, and (iii) any and all implied warranties, including warranties of fitness for particular purpose, non-infringement and merchantability.

Statements regarding the suitability of products for certain types of applications are based on Vishay's knowledge of typical requirements that are often placed on Vishay products in generic applications. Such statements are not binding statements about the suitability of products for a particular application. It is the customer's responsibility to validate that a particular product with the properties described in the product specification is suitable for use in a particular application. Parameters provided in datasheets and/or specifications may vary in different applications and performance may vary over time. All operating parameters, including typical parameters, must be validated for each customer application by the customer's technical experts. Product specifications do not expand or otherwise modify Vishay's terms and conditions of purchase, including but not limited to the warranty expressed therein.

Except as expressly indicated in writing, Vishay products are not designed for use in medical, life-saving, or life-sustaining applications or for any other application in which the failure of the Vishay product could result in personal injury or death. Customers using or selling Vishay products not expressly indicated for use in such applications do so at their own risk and agree to fully indemnify and hold Vishay and its distributors harmless from and against any and all claims, liabilities, expenses and damages arising or resulting in connection with such use or sale, including attorneys fees, even if such claim alleges that Vishay or its distributor was negligent regarding the design or manufacture of the part. Please contact authorized Vishay personnel to obtain written terms and conditions regarding products designed for such applications.

No license, express or implied, by estoppel or otherwise, to any intellectual property rights is granted by this document or by any conduct of Vishay. Product names and markings noted herein may be trademarks of their respective owners.

## **Material Category Policy**

**Vishay Intertechnology, Inc. hereby certifies that all its products that are identified as RoHS-Compliant fulfill the definitions and restrictions defined under Directive 2011/65/EU of The European Parliament and of the Council of June 8, 2011 on the restriction of the use of certain hazardous substances in electrical and electronic equipment (EEE) - recast, unless otherwise specified as non-compliant.**

**Please note that some Vishay documentation may still make reference to RoHS Directive 2002/95/EC. We confirm that all the products identified as being compliant to Directive 2002/95/EC conform to Directive 2011/65/EU.**