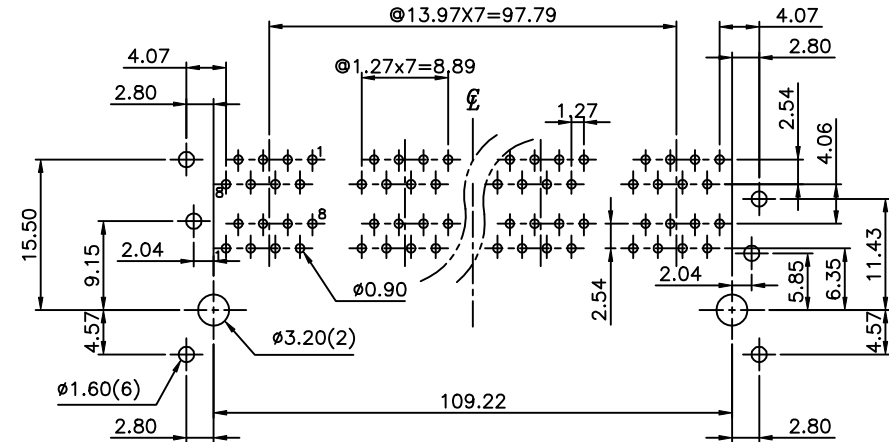
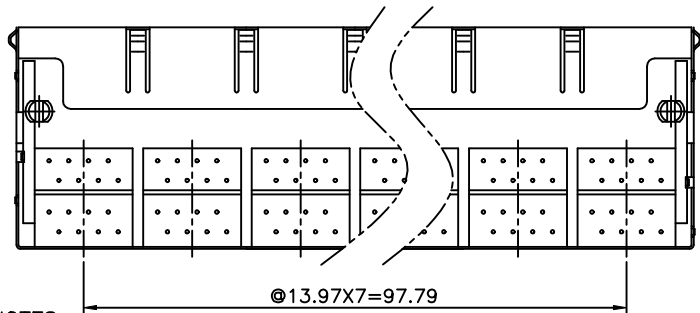
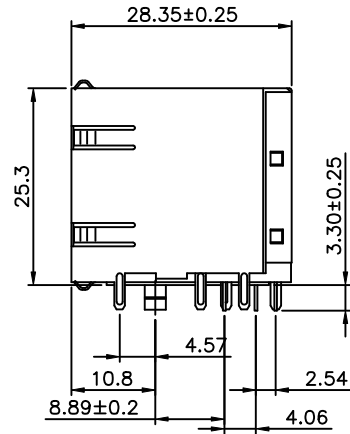
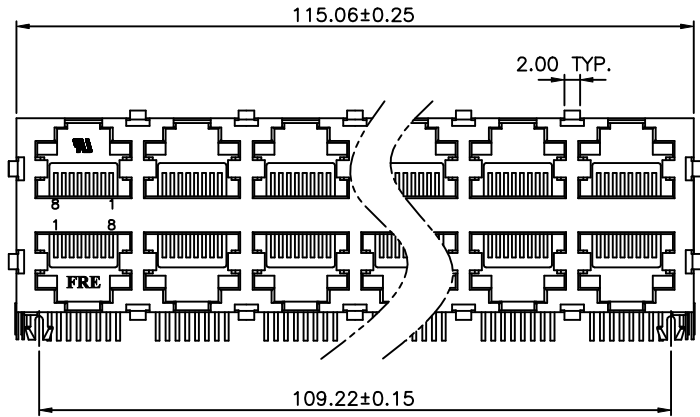


| REVISION RECORD | | | | |
|-----------------|-----|-------------|------|------|
| REV | ECO | DESCRIPTION | DRFT | CHKD |
| | | | | |



NOTES:

ELECTRICAL:

- VOLTAGE RATING : 125 VAC RMS.
- CURRENT RATING : 1.5 AMP.
- CONTACT RESISTANCE : 50 MILLIOHMS MAX.
- INSULATION RESISTANCE: 1000 MEGOHMS MIN @ 500 VDC.
- DIELECTRIC STRENGTH : 1000 VAC RMS 60Hz, 1MIN.

MECHANICAL:

- HOUSING MATERIAL : NYLON+30%.G.F(FR52) UL94V-0.
- INSERT MATERIAL : NYLON+30%.G.F(FR52) UL94V-0.
- CONTACT MATERIAL : PHOSPHOR BRONZE $\phi 0.46\text{mm}$.
- PLATING : GOLD PLATING OVER NICKEL.
- OPERATING LIFE : 750 CYCLES MIN.
- PCB RETENTION PRE-SOLDER : 1 LB MIN.
- PCB RETENTION POST-SOLDER: 10 LBS MIN.

ENVIRONMENTAL:

- STORAGE : -40°C TO $+85^{\circ}\text{C}$.
- OPERATION: 0°C TO $+70^{\circ}\text{C}$.
- WAVE SOLDERING TEMPERATURE: $255^{\circ}\text{C} \sim 265^{\circ}\text{C}$ (5~10 SECONDS).

MATES WITH MODULAR PLUG CONFORMING TO FCC PART 68, SUBPART F.

ROHS PART NUMBER: E5908-57G13X-L

Gold Thickness:
1- 3u" 2- 6u" 3-15u"
4-30u" 5-50u"

PC Board Layout
Component Side Shown

| | | | | | |
|------------------------|----------------------------|----------------------|--------------|---|---------|
| DETACHED LISTS | MM (INCH) | DFTO JmYin | DATE 9/22/05 | FULL RISE ELECTRONIC CO., LTD | |
| | TOLERANCES EXCEPT AS NOTED | CHKD mmYm | DATE 09/23 | | |
| | MM | MFO | DATE | TITLE RJ45 STACKED GANGED JACK, 2X8 | |
| | .0 ±0.2 | APPVL LUSHENG | DATE 09/23 | | |
| .00 ±0.15 | MATERIAL : | QTY : | | DRAWING NO. GE593272-LA | SIZE A3 |
| .000 ±0.075 | ANGLES ± 0.5 | FINISH : | | /PART NO. SEE NOTE | REV 0 |
| THIRD ANGLE PROJECTION | SCALE : 1.5 : 1 | DO NOT SCALE DRAWING | | SHEET 1 | OF 1 |