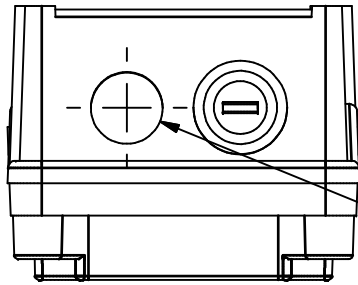
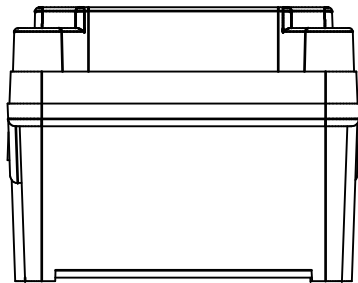
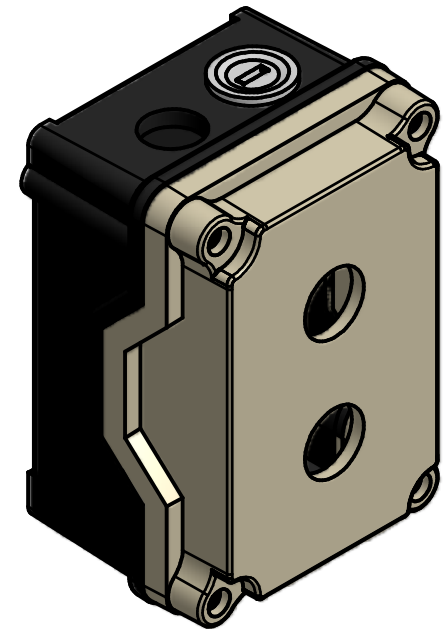
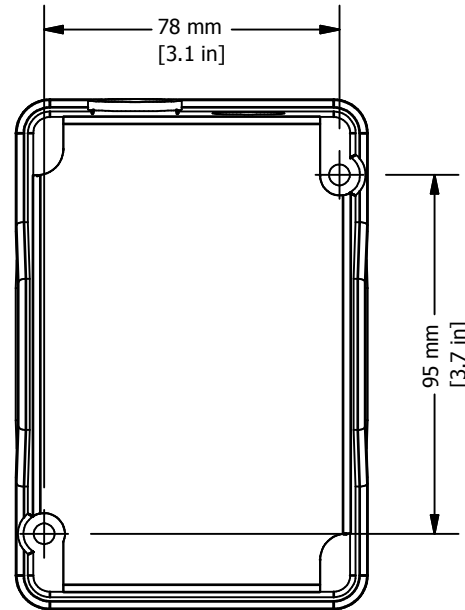
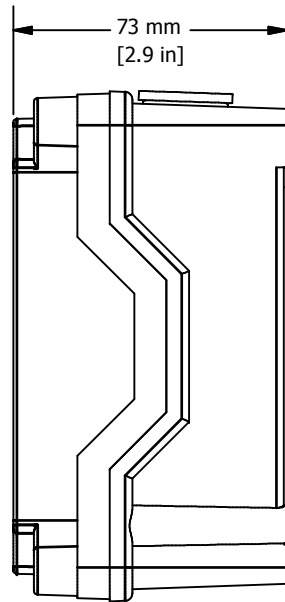
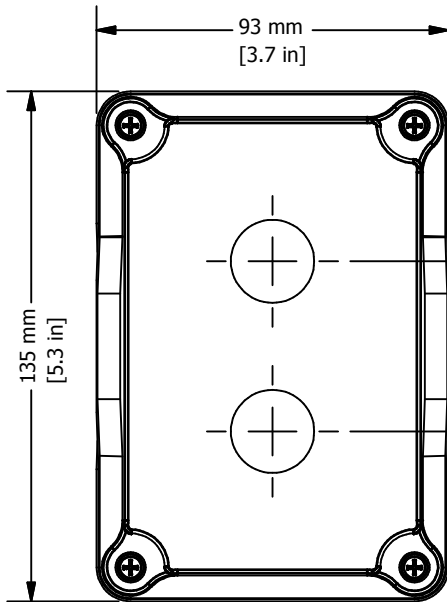


REVISION FOR DWG # 1PB-2011C13

REV	CH.NO.	DESCRIPTION	DATE	REVISED BY
-	-	ORIGINAL DESIGN	11/14/2007	PHILIPP E.



M20x1.5 or 1/2" NPT



UNLESS OTHERWISE SPECIFIED:  
 • ALL DIMENSIONS ARE IN MILLIMETERS  
 • THIRD ANGLE PROJECTION



This Drawing is the property of  
**Altrech Corp.**

35 Royal Road  
 Flemington, NJ 08822-6000  
 (908) 806-9400  
 Fax (908) 806-9490

M  
E  
T  
R  
I  
C

TOLERANCE		
XX	=	±1 mm
XX.X	=	±0.5 mm
XX.XX	=	±0.2 mm
ALL	=	- mm

AND IS A CONFIDENTIAL DISCLOSURE LENT WITHOUT CONSIDERATION OTHER THAN THE BORROWER'S AGREEMENT THAT IT SHALL NOT BE REPRODUCED, COPIED, LENT OR DISPOSED OF DIRECTLY OR INDIRECTLY NOR USED FOR ANY PURPOSE OTHER THAN THAT FOR WHICH IT IS SPECIFICALLY FURNISHED.

TITEL 22 mm Aluminum Enclosure 2011C13 and 2015C13

DRAWN BY: Philipp Ernstberger	11/14/2007	DRAWING NO.:	REV.:
CHECKED BY: Laszlo Gyorgypal	11/14/2007	1PB-2011C13	-
RELEASED BY: Laszlo Gyorgypal	11/14/2007	SCALE: -	SHEET: 1 OF: 1