



STL22NF10

N-CHANNEL 100V - 0.055 Ω - 22A PowerFLAT™ LOW GATE CHARGE STripFET™ II MOSFET

TYPE	V _{DSS}	R _{DS(on)}	I _D
STL22NF10	100 V	<0.060 Ω	22 A ⁽¹⁾

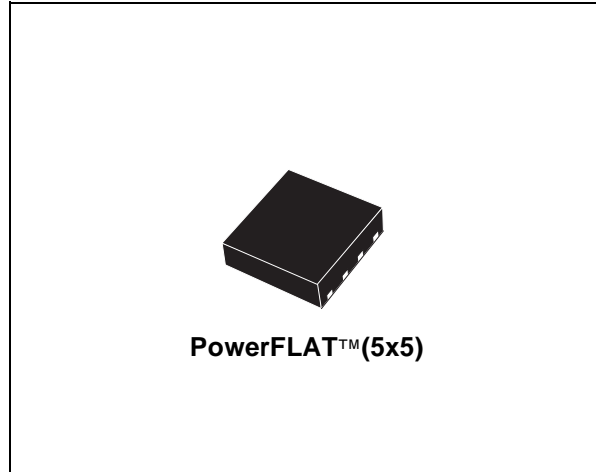
- TYPICAL R_{DS(on)} = 0.055 Ω
- IMPROVED DIE-TO-FOOTPRINT RATIO
- VERY LOW PROFILE PACKAGE (1mm MAX)
- VERY LOW THERMAL RESISTANCE
- VERY LOW GATE CHARGE

DESCRIPTION

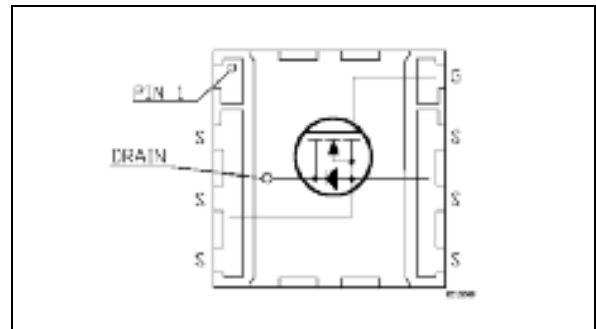
This application specific Power MOSFET is the second generation of STMicroelectronics unique "STripFET™" technology. The resulting transistor shows extremely low on-resistance and minimal gate charge. The new PowerFLAT™ package allows a significant reduction in board space without compromising performance.

APPLICATIONS

- HIGH-EFFICIENCY ISOLATED DC-DC CONVERTERS
- TELECOM AND AUTOMOTIVE



INTERNAL SCHEMATIC DIAGRAM



ABSOLUTE MAXIMUM RATINGS

Symbol	Parameter	Value	Unit
V _{DS}	Drain-source Voltage (V _{GS} = 0)	100	V
V _{DGR}	Drain-gate Voltage (R _{GS} = 20 kΩ)	100	V
V _{GS}	Gate- source Voltage	± 20	V
I _D ⁽²⁾	Drain Current (continuous) at T _C = 25°C (Steady State)	5.3	A
I _D ⁽²⁾	Drain Current (continuous) at T _C = 100°C	3.8	A
I _{DM} ⁽³⁾	Drain Current (pulsed)	22	A
P _{tot} ⁽²⁾	Total Dissipation at T _C = 25°C (Steady State)	4	W
P _{tot} ⁽¹⁾	Total Dissipation at T _C = 25°C	70	W
	Derating Factor	0.03	W/°C
dv/dt ⁽⁵⁾	Peak Diode Recovery voltage slope	16	V/ns
E _{AS} ⁽⁶⁾	Single Pulse Avalanche Energy	82	mJ
T _{stg}	Storage Temperature	-55 to 150	°C
T _j	Operating Junction Temperature		

STL22NF10

THERMAL DATA

Rthj-F	(*)Thermal Resistance Junction-Foot (Drain)	1.8	°C/W
Rthj-pcb(4)	Thermal Operating Junction-pcb	31.5	°C/W

www.datasheet4u.com (*) Mounted on FR-4 board (t ≤ 10 sec.)

ELECTRICAL CHARACTERISTICS (T_{case} = 25 °C unless otherwise specified)

OFF

Symbol	Parameter	Test Conditions	Min.	Typ.	Max.	Unit
V _{(BR)DSS}	Drain-source Breakdown Voltage	I _D = 250 μA, V _{GS} = 0	100			V
I _{DSS}	Zero Gate Voltage Drain Current (V _{GS} = 0)	V _{DS} = Max Rating V _{DS} = Max Rating T _C = 125°C			1 10	μA μA
I _{GSS}	Gate-body Leakage Current (V _{DS} = 0)	V _{GS} = ± 20 V			±100	nA

ON (7)

Symbol	Parameter	Test Conditions	Min.	Typ.	Max.	Unit
V _{GS(th)}	Gate Threshold Voltage	V _{DS} = V _{GS} I _D = 250 μA	2			V
R _{DS(on)}	Static Drain-source On Resistance	V _{GS} = 10 V I _D = 11 A		0.055	0.060	Ω

DYNAMIC

Symbol	Parameter	Test Conditions	Min.	Typ.	Max.	Unit
g _{fs} (7)	Forward Transconductance	V _{DS} = 20 V I _D = 11 A		16		S
C _{iss} C _{oss} C _{rss}	Input Capacitance Output Capacitance Reverse Transfer Capacitance	V _{DS} = 25V, f = 1 MHz, V _{GS} = 0		885 130 56		pF pF pF

ELECTRICAL CHARACTERISTICS (continued)

SWITCHING ON

Symbol	Parameter	Test Conditions	Min.	Typ.	Max.	Unit
$t_{d(on)}$ t_r	Turn-on Delay Time Rise Time	$V_{DD} = 50\text{ V}$ $I_D = 11\text{ A}$ $R_G = 4.7\ \Omega$ $V_{GS} = 10\text{ V}$ (Resistive Load, Figure 3)		20 45		ns ns
Q_g Q_{gs} Q_{gd}	Total Gate Charge Gate-Source Charge Gate-Drain Charge	$V_{DD} = 80\text{ V}$ $I_D = 22\text{ A}$ $V_{GS} = 10\text{ V}$		30 6 10	40	nC nC nC

SWITCHING OFF

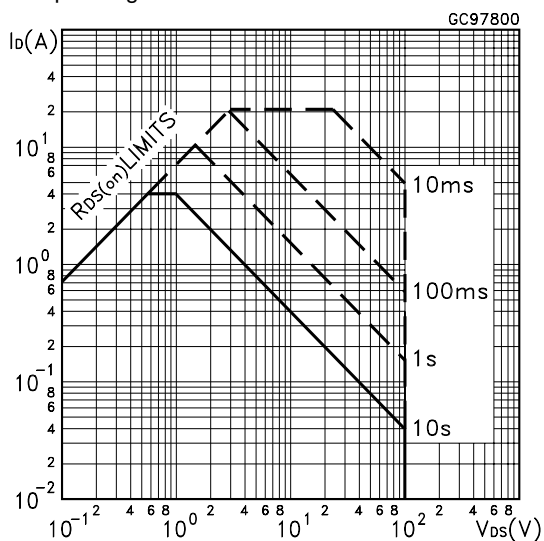
Symbol	Parameter	Test Conditions	Min.	Typ.	Max.	Unit
$t_{d(off)}$ t_f	Turn-off Delay Time Fall Time	$V_{DD} = 50\text{ V}$ $I_D = 11\text{ A}$ $R_G = 4.7\ \Omega$, $V_{GS} = 10\text{ V}$ (Resistive Load, Figure 3)		45 10		ns ns

SOURCE DRAIN DIODE

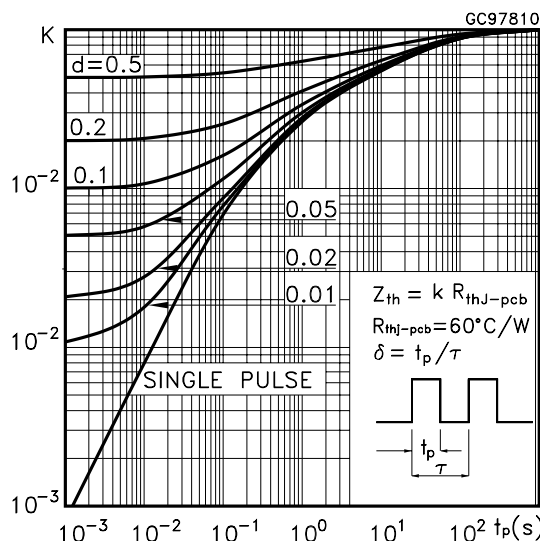
Symbol	Parameter	Test Conditions	Min.	Typ.	Max.	Unit
I_{SD} I_{SDM}	Source-drain Current Source-drain Current (pulsed)				5.3 22	A A
$V_{SD}^{(7)}$	Forward On Voltage	$I_{SD} = 22\text{ A}$ $V_{GS} = 0$			1.3	V
t_{rr} Q_{rr} I_{RRM}	Reverse Recovery Time Reverse Recovery Charge Reverse Recovery Current	$I_{SD} = 22\text{ A}$ $di/dt = 100\text{ A}/\mu\text{s}$ $V_{DD} = 30\text{ V}$ $T_j = 150^\circ\text{C}$ (see test circuit, Figure 5)		100 375 7.5		ns nC A

- (1) The value is rated according R_{thj-F} .
- (2) The value is rated according $R_{thj-pcb}$.
- (3) Pulse width limited by safe operating area.
- (4) When Mounted on FR-4 Board of 1 inch², 2 oz Cu, $t < 10\text{s}$.
- (5) $I_{SD} \leq 22\text{ A}$, $di/dt \leq 300\text{ A}/\mu\text{s}$, $V_{DD} \leq V_{(BR)DSS}$, $T_j \leq T_{jMAX}$.
- (6) Starting $T_j = 25^\circ\text{C}$, $I_D = 11\text{ A}$, $V_{DD} = 30\text{ V}$.
- (7) Pulsed: Pulse duration = 300 μs , duty cycle 1.5 %.

Safe Operating Area

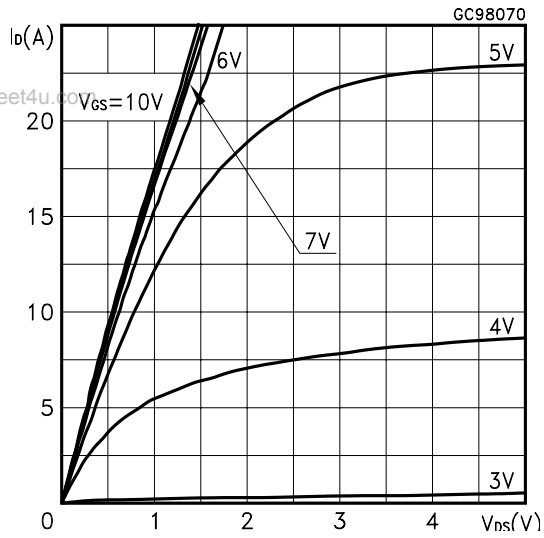


Thermal Impedance

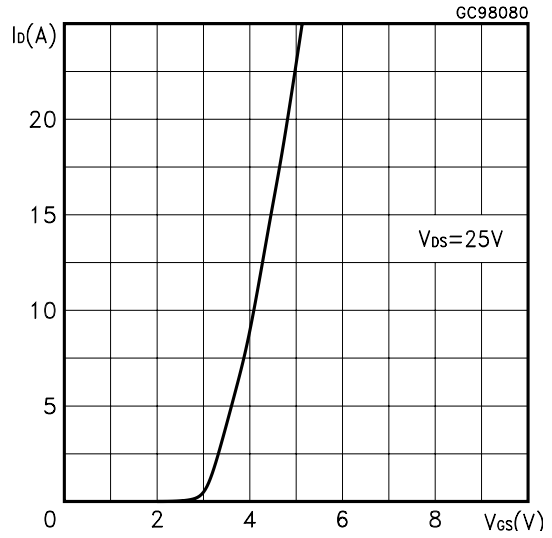


STL22NF10

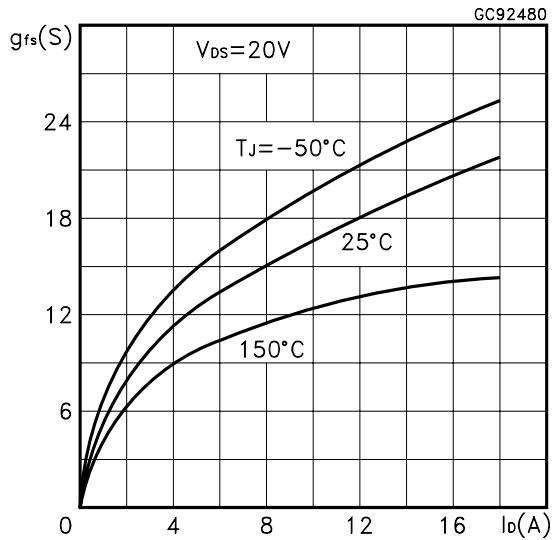
Output Characteristics



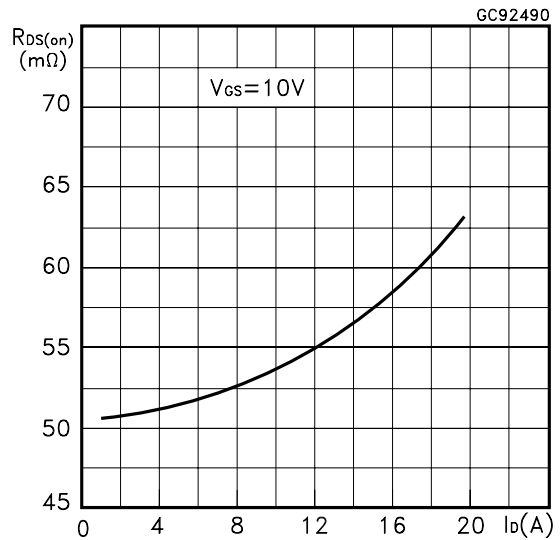
Transfer Characteristics



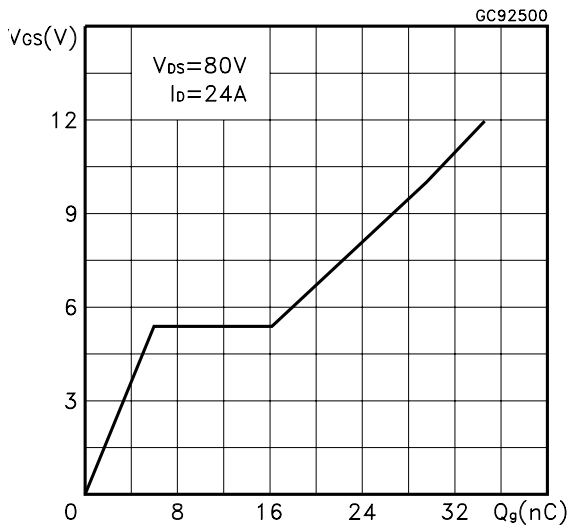
Transconductance



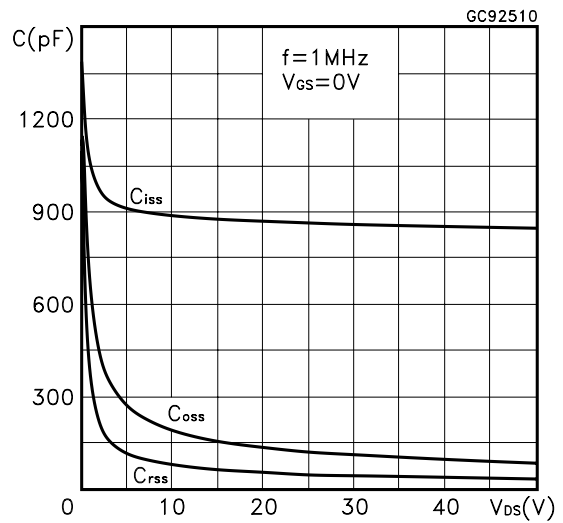
Static Drain-source On Resistance



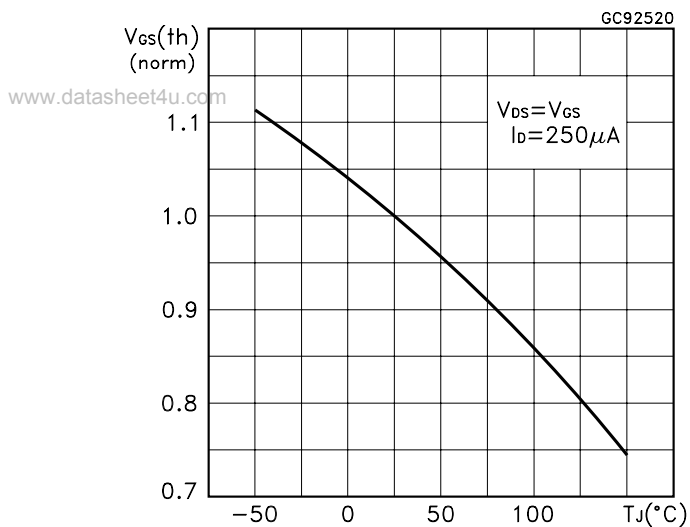
Gate Charge vs Gate-source Voltage



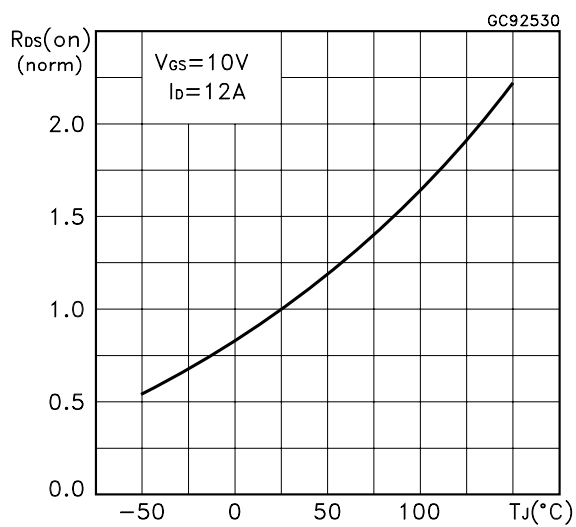
Capacitance Variations



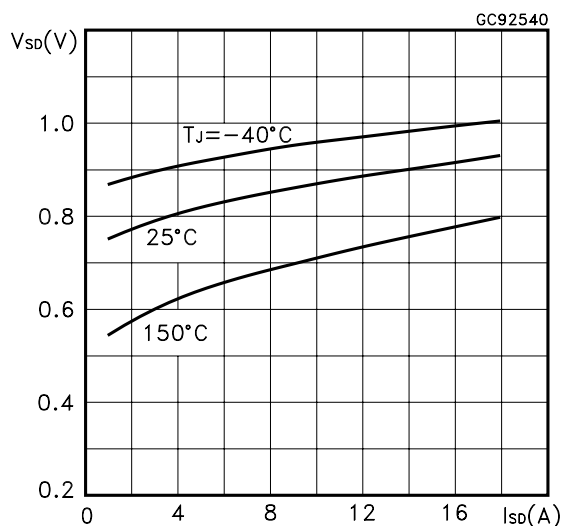
Normalized Gate Threshold Voltage vs Temperature



Normalized on Resistance vs Temperature



Source-drain Diode Forward Characteristics



Normalized Breakdown Voltage vs Temperature.

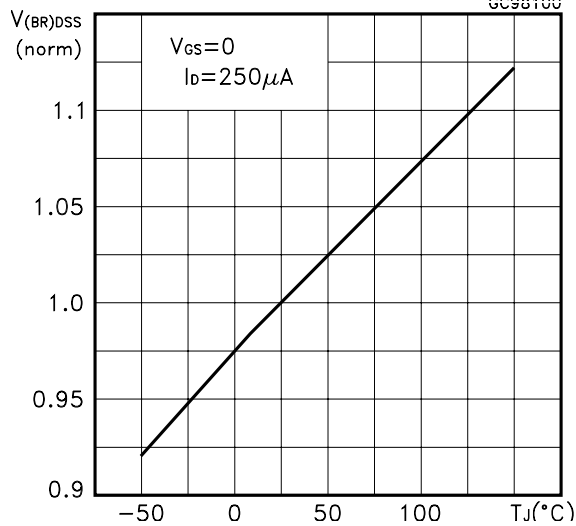


Fig. 1: Unclamped Inductive Load Test Circuit

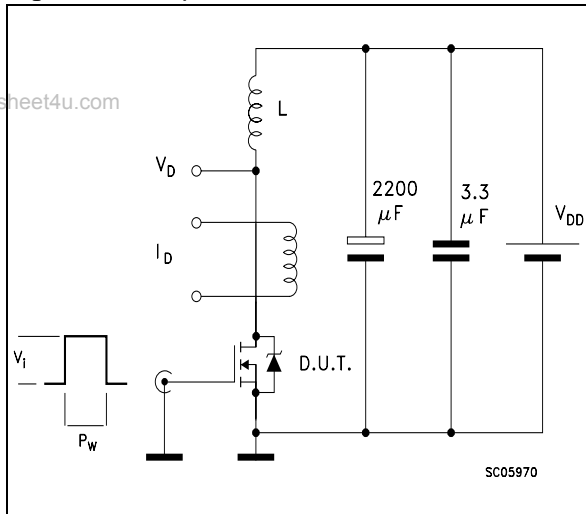


Fig. 2: Unclamped Inductive Waveform

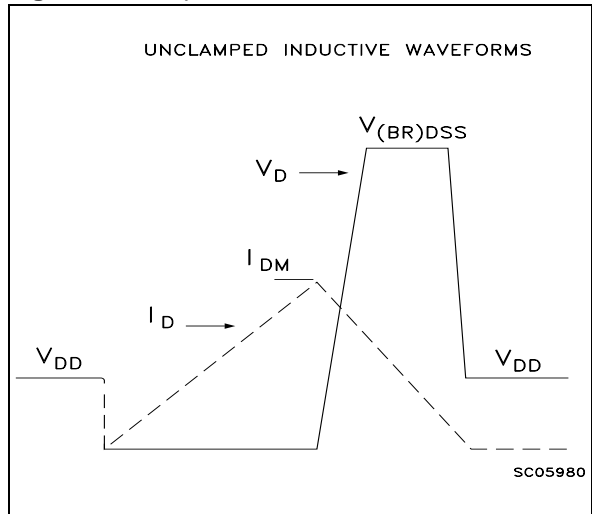


Fig. 3: Switching Times Test Circuits For Resistive Load

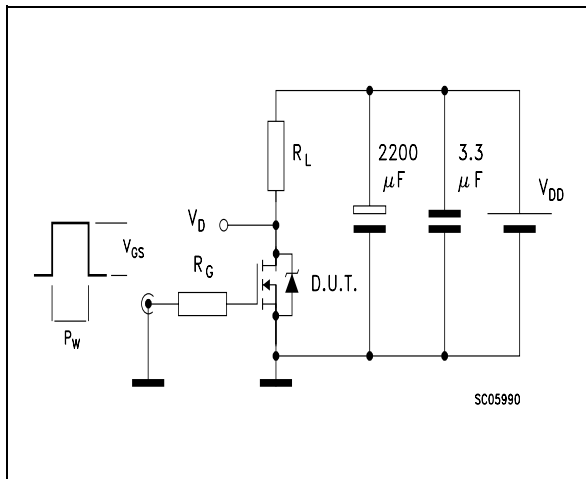


Fig. 4: Gate Charge test Circuit

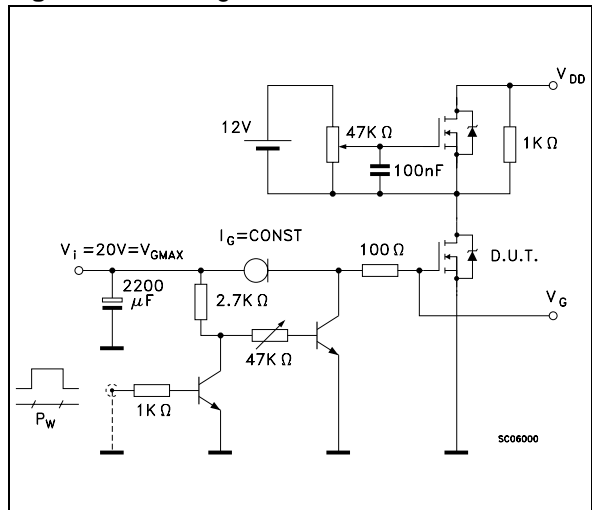
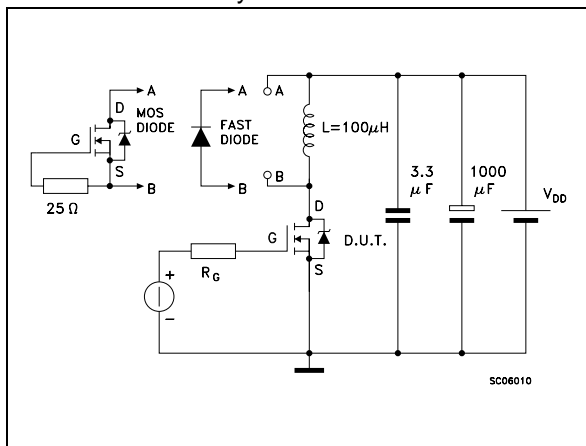
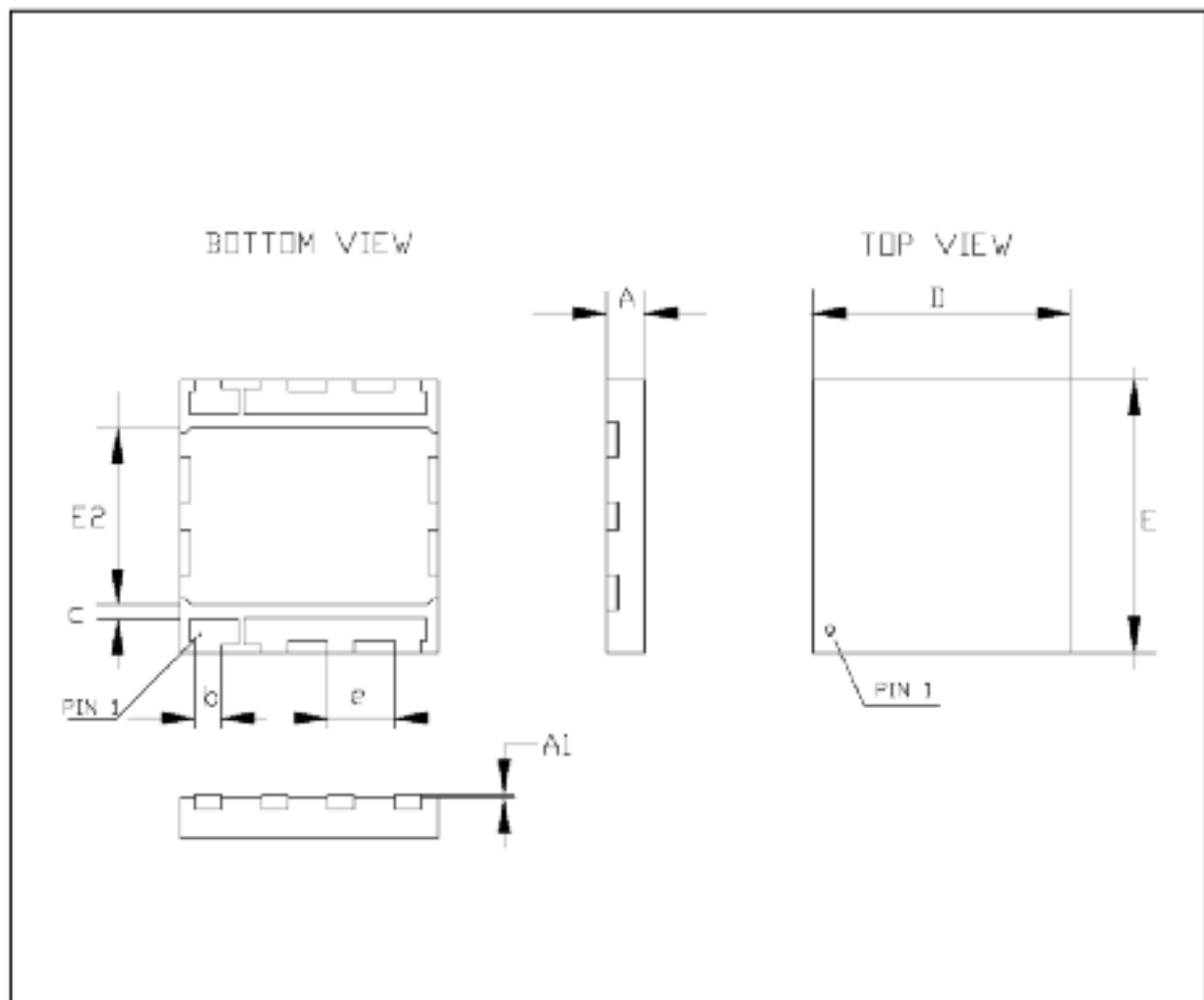


Fig. 5: Test Circuit For Inductive Load Switching And Diode Recovery Times



PowerFLAT™ (5x5) MECHANICAL DATA
www.datasheet4u.com

DIM.	mm.			inch		
	MIN.	TYP	MAX.	MIN.	TYP.	MAX.
A		0.90	1.00		0.035	0.039
A1		0.02	0.05		0.001	0.002
b	0.43	0.51	0.58	0.017	0.020	0.023
c	0.33	0.41	0.48	0.013	0.016	0.019
D		5.00			0.197	
E		5.00			0.197	
E2	3.10	3.18	3.25	0.122	0.125	0.128
e		1.27			0.050	



Information furnished is believed to be accurate and reliable. However, STMicroelectronics assumes no responsibility for the consequences of use of such information nor for any infringement of patents or other rights of third parties which may result from its use. No license is granted by implication or otherwise under any patent or patent rights of STMicroelectronics. Specifications mentioned in this publication are subject to change without notice. This publication supersedes and replaces all information previously supplied. STMicroelectronics products are not authorized for use as critical components in life support devices or systems without express written approval of STMicroelectronics.

The ST logo is registered trademark of STMicroelectronics
© 2003 STMicroelectronics - All Rights Reserved

All other names are the property of their respective owners.

STMicroelectronics GROUP OF COMPANIES

Australia - Brazil - Canada - China - Finland - France - Germany - Hong Kong - India - Israel - Italy - Japan - Malaysia - Malta - Morocco -
Singapore - Spain - Sweden - Switzerland - United Kingdom - United States.

<http://www.st.com>