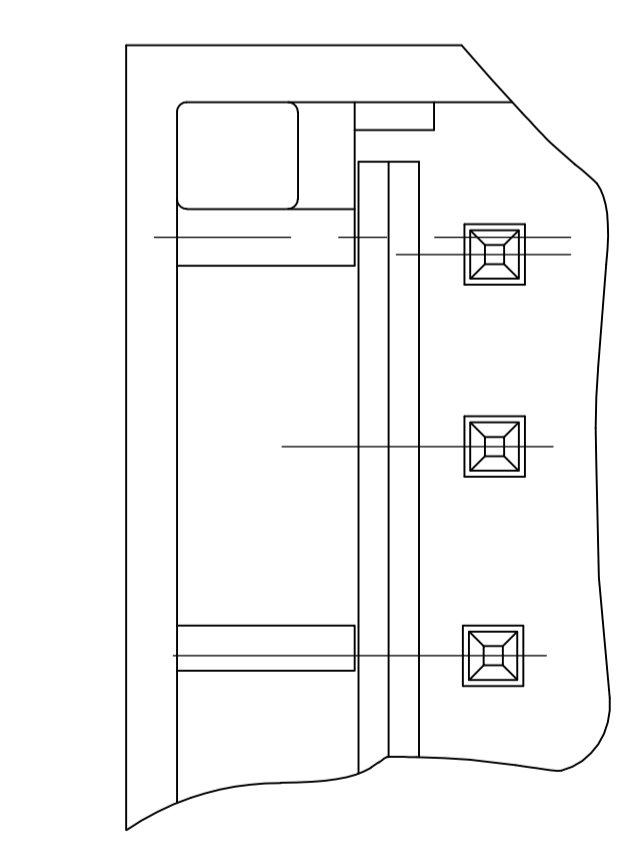
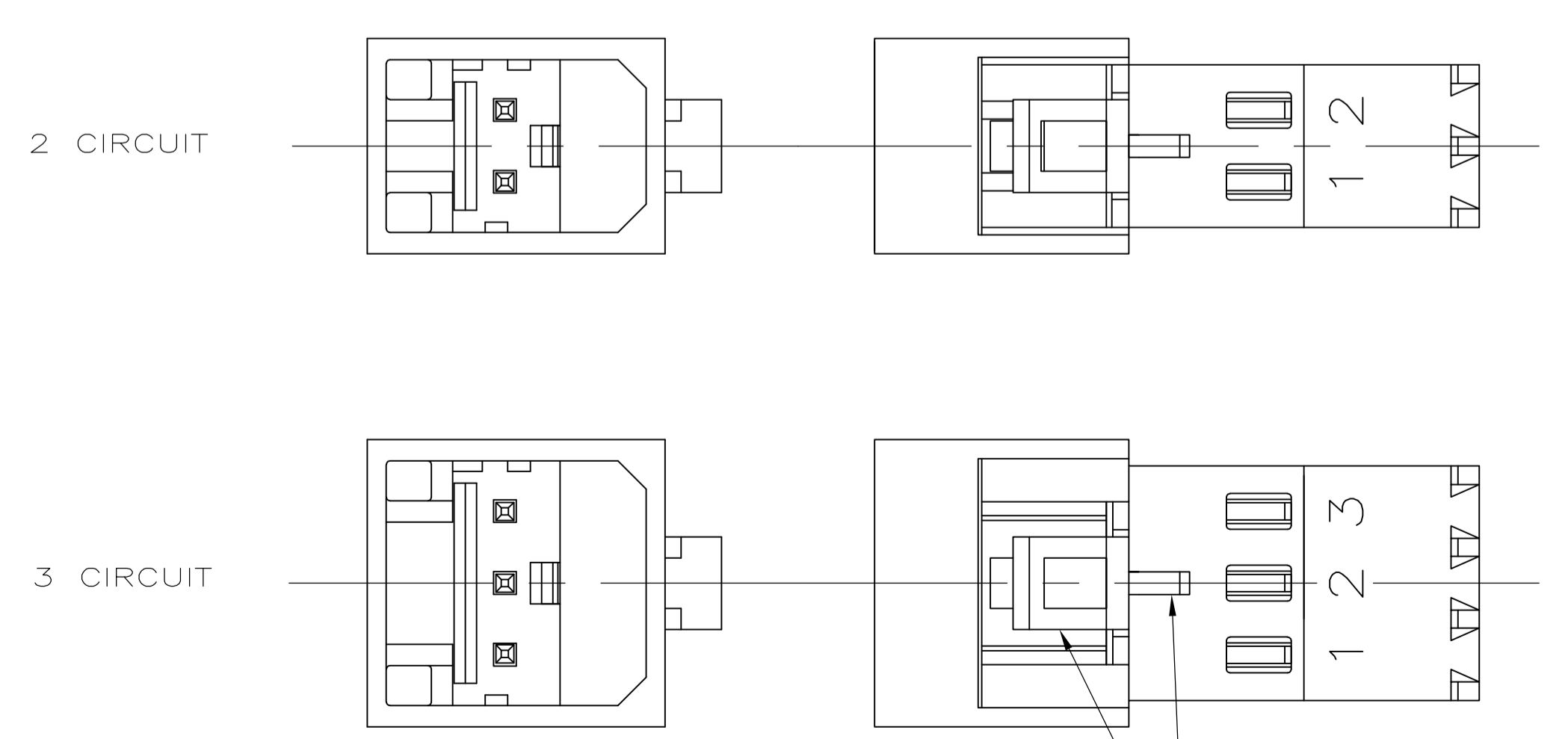
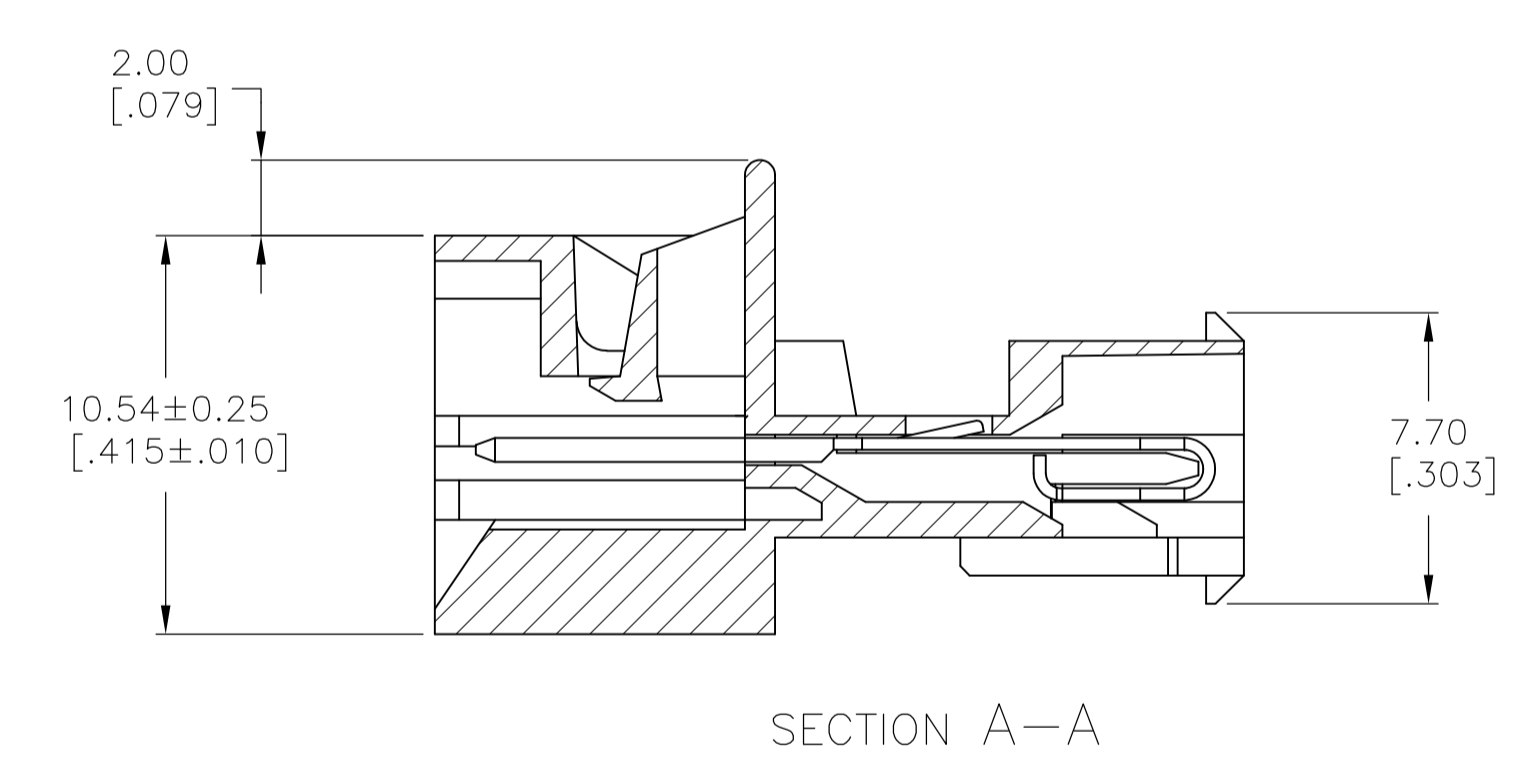
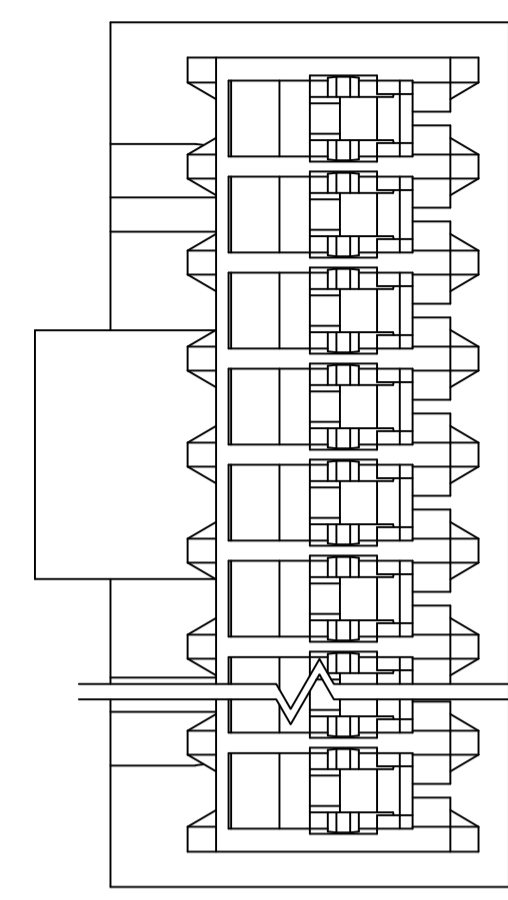
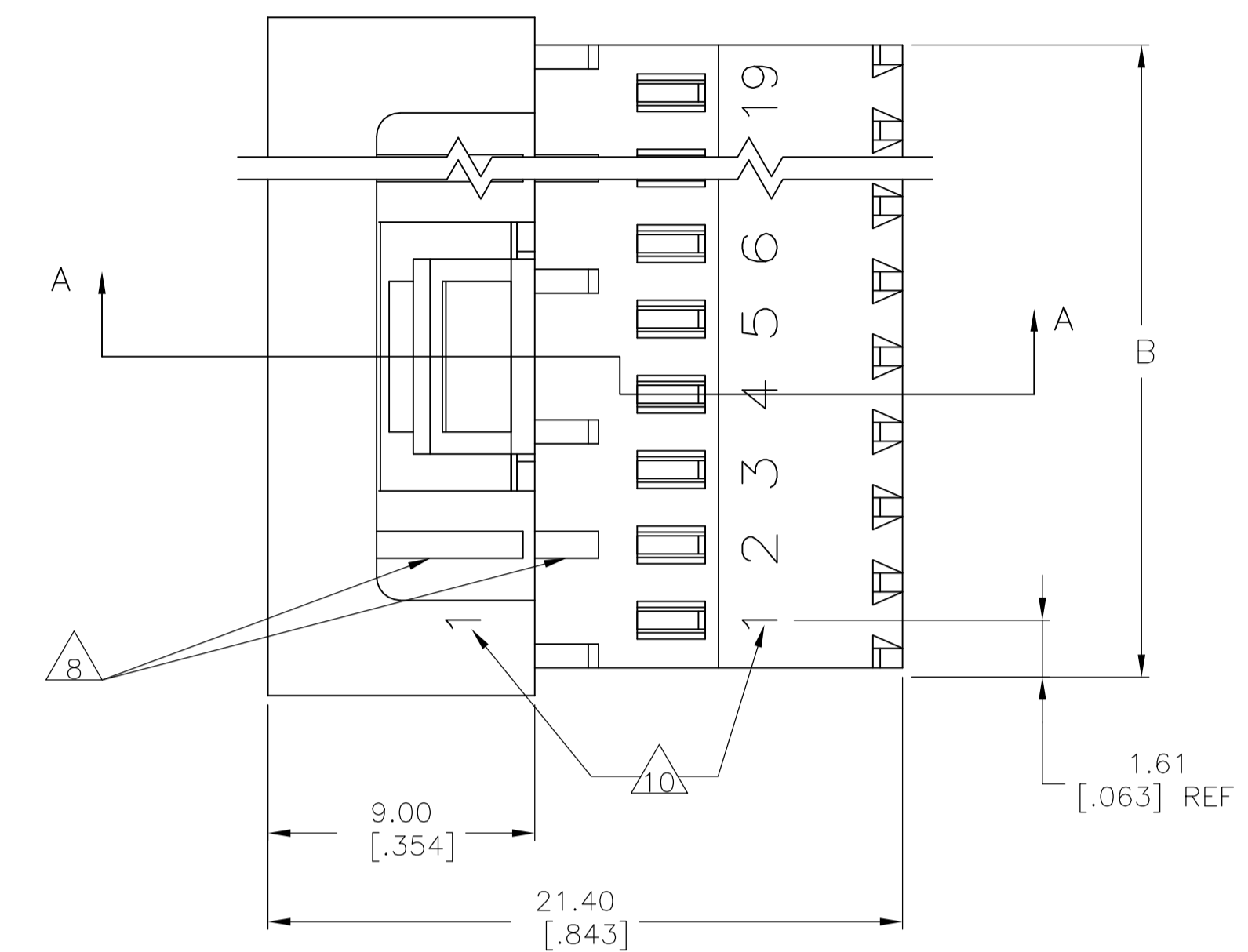
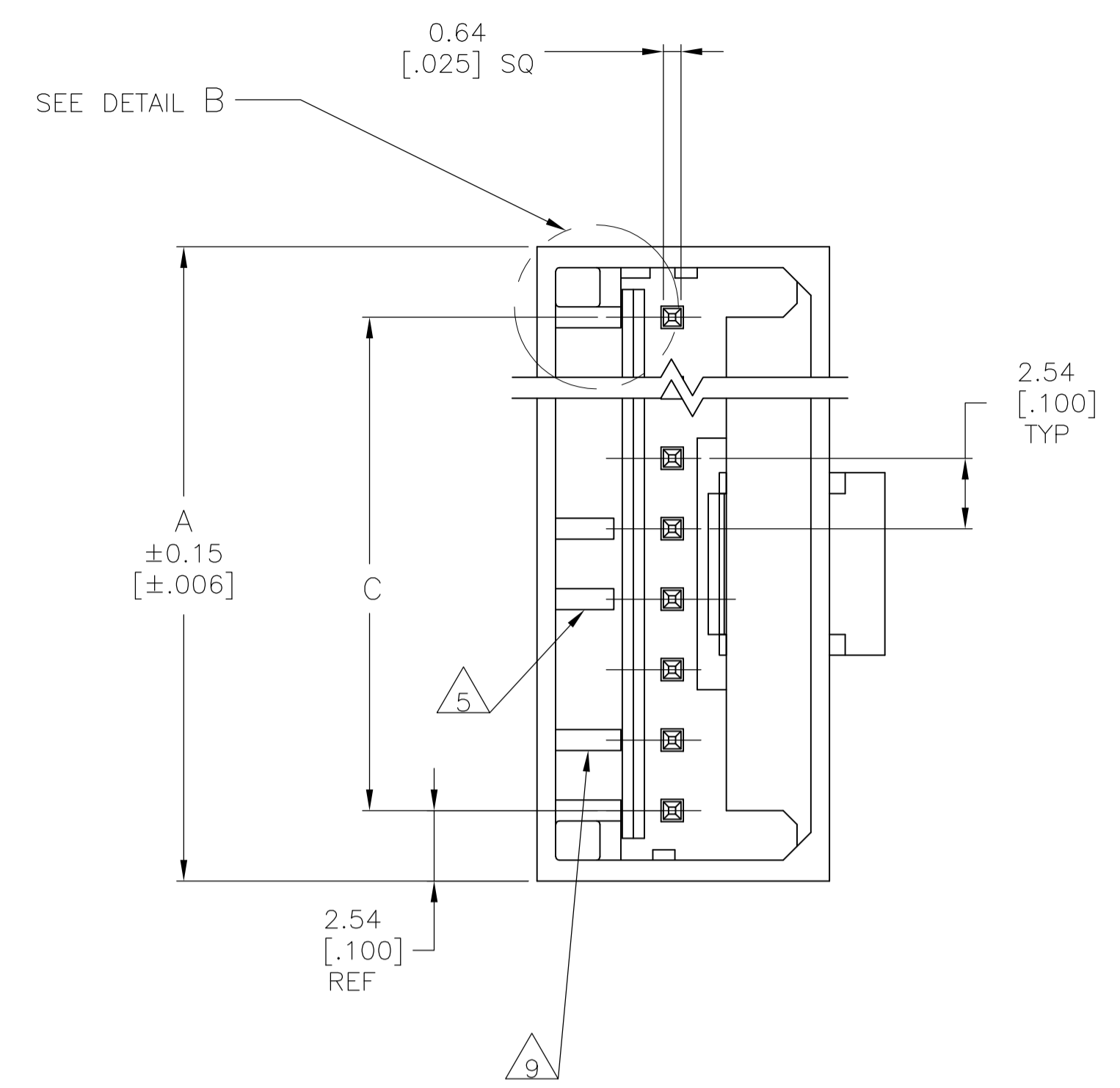


LOC		DIST		REVISIONS			
CM	00	REV	DATE	BY	APPV	REV	DATE
F	REVISED PER	ECO-12-007504	03AUG12	KH	SM		





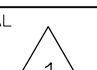
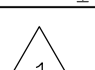
DETAIL B  
 SCALE 10:1  
 ALTERNATE CONFIGURATION

- 1 MATERIAL:  
 HOUSING- NYLON UL94V-2.  
 CONTACTS- 0.30 [.012] THK COPPER ALLOY  
 DUAL PLATING : GOLD PLATE AREA, 0.00076 [.000030] GOLD OR 0.00008 [.000003] MIN GOLD FLASH OVER 0.00068 [.000027] PALLADIUM NICKEL, PER TE CONNECTIVITY'S DISCRETION, ALL SIDES, OVER NICKEL UNDERPLATE, .00127 [.000050] MIN, ALL SIDES AND ENTIRE LENGTH OF POST.  
 ONPOST, BRIGHT TIN-LEAD 0.00203[.000080] MIN THK 647010-2 THRU 1-647010-9 OR MATTE TIN 0.00203[.000080] MIN THK. FOR 3-647016-2 THRU 4-647010-9 ON WIRE SLOT, WITH NICKEL UNDERPLATE .00127[.000050] MIN THK ALL OVER.
- 2 CONTACTS ACCEPT 26 AWG (0.12 - 0.15 mm mm<sup>2</sup>) TIN PLATED SOLID, CONCENTRIC FUSED STRANDED, OR CONCENTRIC STRANDED (7 STRANDS) WIRE WITH 1.52 [.060] MAX INSULATION DIAMETER.
- 3 MATES WITH STANDARD MTA-100 CONNECTORS:  
 OF THE SAME CIRCUIT SIZES  
 WITH SIMILARLY PLATED CONTACTS  
 WITH POLARIZING TABS-CIRCUIT SIZES 4-19 ONLY  
 WITHOUT POLARIZING TABS-CIRCUIT SIZES 2 & 3.  
  
 DOES NOT MATE WITH MTA-100 CONNECTORS:  
 WITH POLARIZING TABS-CIRCUIT SIZES 2 & 3 ONLY.  
 (SEE DETAIL A)  
 WITH BLOCKED CIRCUITS -ALL CIRCUIT SIZES.  
 NOT RECOMMENDED FOR MATING WITH MTA-100 CONNECTOR WITHOUT POLARIZING TABS.  
 CIRCUIT SIZES 4-19.
- 4 ACCESSORIES:  
 REPLACEMENT IDC CONTACTS: 647030-2.  
 COVERS: SEE TABLE
- 5 QUANTITY OF CENTRALLY POSITIONED RAILS VARIES WITH CIRCUIT SIZE. (SEE TABLE)  
 LOCATION MAY DIFFER FROM EXAMPLE SHOWN.
- 6 DIMENSIONS IN BRACKETS ARE IN INCHES.
- 7 SIMILAR SIZED LOCK AND SINGLE TAB USED OR CIRCUITS 4 & 5.
- 8 QUANTITY OF GUSSET RIBS VARIES WITH CIRCUIT SIZE (SEE TABLE).  
 LOCATION MAY DIFFER FROM EXAMPLE SHOWN.
- 9 INNER END RAIL PAIR NOT PRESENT FOR CIRCUIT SIZES 2 OR 3.
- 10 CIRCUIT ID MAY APPEAR FULLY NUMBERED OR SHOWING LOCATION 1 ONLY DEPENDING ON CIRCUIT SIZE.
- 11 OBSOLETE PARTS: OBSOLETE CIS STREAMLINING PER D.RENAUD/D.SINISI
- 12 BLUE COLOR STRIPE ON HOUSING (NOT SHOWN) MAY RUN DOWN BETWEEN RIBS.

THIS DRAWING IS A CONTROLLED DOCUMENT.		DIN 30-98	TE Connectivity
DIMENSIONS: mm [INCHES]		30-98	
TOLERANCES UNLESS OTHERWISE SPECIFIED:		30-98	NAME: MTA-100 POSTED CONNECTOR ASSEMBLY, CLOSED END, 26 AWG PRODUCT SPEC:
0 PLC ± - 1 PLC ± - 2 PLC ± 0.20 [.007] 3 PLC ± - 4 PLC ± - ANGLES ± -		30-98	
MATERIAL 1		30-98	APPLICATION SPEC: SIZE: A1 CAGE CODE: 00779 DRAWING NO: 647010 WEIGHT: - CUSTOMER DRAWING
FINISH 1		30-98	
SCALE: 5:1		SHEET: 1 OF 2	RESTRICTED TO: REV: F

QTY OF GUSSET RIBS	QTY OF CENTRAL RAILS	MM	IN	MM	IN	MM	IN	NO. OF CIRCUITS	PART NO		
4	2	45.72	1.800	48.95	1.927	50.80	2.000	19	4-647010-9		
4	2	43.18	1.700	46.41	1.827	48.26	1.900	18	4-647010-8		
4	2	40.64	1.600	43.86	1.727	45.72	1.800	17	4-647010-7		
4	2	38.10	1.500	41.32	1.627	43.18	1.700	16	4-647010-6		
4	2	35.56	1.400	38.78	1.527	40.64	1.600	15	4-647010-5		
4	2	33.02	1.300	36.24	1.427	38.10	1.500	14	4-647010-4		
4	2	30.48	1.200	33.70	1.327	35.56	1.400	13	4-647010-3		
2	1	27.94	1.100	31.16	1.227	33.02	1.300	12	4-647010-2		
2	1	25.40	1.000	28.62	1.127	30.48	1.200	11	4-647010-1		
2	1	22.86	.900	26.08	1.027	27.94	1.100	10	4-647010-0		
2	1	20.32	.800	23.54	.927	25.40	1.000	9	3-647010-9		
2	0	17.78	.700	21.00	.827	22.86	.900	8	3-647010-8		
0	0	15.24	.600	18.46	.727	20.32	.800	7	3-647010-7		
0	0	12.70	.500	15.92	.627	17.78	.700	6	3-647010-6		
0	0	10.16	.400	13.38	.527	15.24	.600	5	3-647010-5		
0	0	7.62	.300	10.84	.427	12.70	.500	4	3-647010-4		
0	0	5.08	.200	8.30	.327	10.16	.400	3	3-647010-3		
0	0	2.54	.100	5.76	.227	7.62	.300	2	3-647010-2		
4	2	45.72	1.800	48.95	1.927	50.80	2.000	19	1-647010-9		
4	2	43.18	1.700	46.41	1.827	48.26	1.900	18	1-647010-8		
4	2	40.64	1.600	43.86	1.727	45.72	1.800	17	1-647010-7		
4	2	38.10	1.500	41.32	1.627	43.18	1.700	16	1-647010-6		
4	2	35.56	1.400	38.78	1.527	40.64	1.600	15	1-647010-5		
4	2	33.02	1.300	36.24	1.427	38.10	1.500	14	1-647010-4		
4	2	30.48	1.200	33.70	1.327	35.56	1.400	13	1-647010-3		
2	1	27.94	1.100	31.16	1.227	33.02	1.300	12	1-647010-2		
2	1	25.40	1.000	28.62	1.127	30.48	1.200	11	1-647010-1		
2	1	22.86	.900	26.08	1.027	27.94	1.100	10	1-647010-0		
2	1	20.32	.800	23.54	.927	25.40	1.000	9	647010-9		
2	0	17.78	.700	21.00	.827	22.86	.900	8	647010-8		
0	0	15.24	.600	18.46	.727	20.32	.800	7	647010-7		
0	0	12.70	.500	15.92	.627	17.78	.700	6	647010-6		
0	0	10.16	.400	13.38	.527	15.24	.600	5	647010-5		
0	0	7.62	.300	10.84	.427	12.70	.500	4	647010-4		
0	0	5.08	.200	8.30	.327	10.16	.400	3	647010-3		
0	0	2.54	.100	5.76	.227	7.62	.300	2	647010-2		
DUST COVER	STRAIN RELIEF COVERS	QTY OF GUSSET RIBS		QTY OF CENTRAL RAILS		MM IN		MM IN		NO. OF CIRCUITS	PART NO
4	ACCESSORIES	8	5	C		B		A			

SUPERCEDED  
  
 SUPERCEDED  


THIS DRAWING IS A CONTROLLED DOCUMENT. DIN B LEWIS 30-98  
 CJK R SWING 30-98  
 DIMENSIONS: mm [INCHES] TOLERANCES UNLESS OTHERWISE SPECIFIED:  
 0 PLC ± -  
 1 PLC ± -  
 2 PLC ± -  
 3 PLC ± -  
 4 PLC ± -  
 ANGLES ± -  
 MATERIAL  FINISH   
 WEIGHT - SIZE A1 CAGE CODE 00779 DRAWING NO. 647010 RESTRICTED TO  
 CUSTOMER DRAWING SCALE 1:1 SHEET 2 OF 2 REV F

**STE** TE Connectivity  
 MTA-100 POSTED CONNECTOR ASSEMBLY, CLOSED END, 26 AWG