

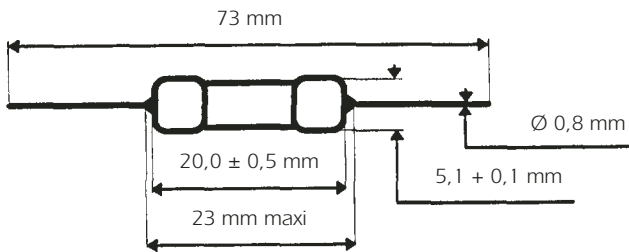


## Axial leads 5x20 250V - FA/FB "AL" Very Fast Acting

Approvals UL recognized E 90660

BETWEEN 0,04 TO 6,3 A

### Dimensions



Sand-filled fuses  
Max weight : 1,5 g



### Basic Characteristics

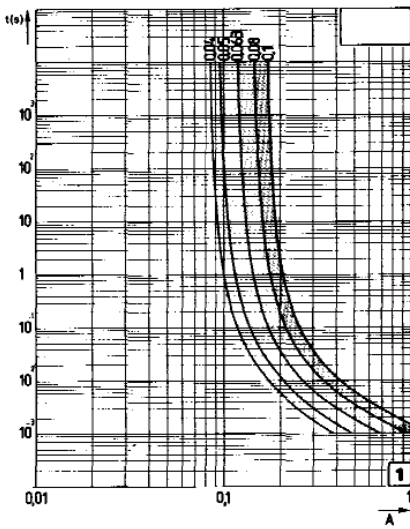
Size	Rated Voltage	Rated Current	Breaking Capacity	[I <sup>2</sup> t] Pre-arcing	[I <sup>2</sup> t] Total clearing at 250 V	Max voltage drop at I <sub>n</sub>	Designation	Reference Number	Catalog Number
mm	VAC	A		A <sup>2</sup> s		V			
5 x 20	250	0,040*	250 VAC	0,00013	0,0004	1,5	250V FB 0,040 A 5 x 20AL	Z204883	MI5FBP25V0,04
		0,050*	4 kA	0,00020	0,0006	1,5	250V FB 0,050 A 5 x 20AL	S206901	MI5FBP25V0,05
		0,063*	cos φ ≥ 0,7	0,00041	0,0012	1,3	250V FB 0,063 A 5 x 20AL	K205031	MI5FBP25V0,063
		0,080*		0,00077	0,0022	1,1	250V FB 0,080 A 5 x 20AL	C207899	MI5FBP25V0,08
		0,100*		0,00131	0,0037	1,1	250V FB 0,100 A 5 x 20AL	B206472	MI5FBP25V0,1
		0,125	250 VAC	0,00077	0,0021	1,7	250V FA 0,125 A 5 x 20AL	M205907	MI5FAP25V0,125
		0,160	30 kA	0,0020	0,006	1,3	250V FA 0,160 A 5 x 20AL	H208249	MI5FAP25V0,16
		0,200	cos φ ≥ 0,2	0,0046	0,013	1,1	250V FA 0,200 A 5 x 20AL	J208250	MI5FAP25V0,2
		0,250		0,009	0,025	1,0	250V FA 0,250 A 5 x 20AL	L205906	MI5FAP25V0,25
		0,315		0,016	0,045	0,90	250V FA 0,315 A 5 x 20AL	K208251	MI5FAP25V0,315
		0,400	for	0,03	0,085	0,85	250V FA 0,400 A 5 x 20AL	L208252	MI5FAP25V0,4
		0,500	approvals	0,05	0,15	0,80	250V FA 0,500 A 5 x 20AL	M208253	MI5FAP25V0,5
		0,630	I <sub>c</sub> = 10 kA	0,12	0,35	0,70	250V FA 0,630 A 5 x 20AL	N208254	MI5FAP25V0,63
		0,800	under 250 VAC	0,25	0,72	0,60	250V FA 0,800 A 5 x 20AL	P208255	MI5FAP25V0,8
		1,000	cos φ ≥ 0,7	0,11	0,25	0,46	250V FA 1,000 A 5 x 20AL	Q208256	MI5FAP25V1
		1,250		0,26	0,65	0,36	250V FA 1,250 A 5 x 20AL	R208257	MI5FAP25V1,25
		1,600		0,39	0,9	0,42	250V FA 1,600 A 5 x 20AL	S208258	MI5FAP25V1,6
		2,000		0,81	1,9	0,37	250V FA 2,000 A 5 x 20AL	T208259	MI5FAP25V2
2,500		1,44	3,2	0,34	250V FA 2,500 A 5 x 20AL	V208260	MI5FAP25V2,5		
3,150		2,46	5,5	0,33	250V FA 3,150 A 5 x 20AL	W208261	MI5FAP25V3,15		
4,000		4,6	10	0,31	250V FA 4,000 A 5 x 20AL	X208262	MI5FAP25V4		
5,000		11	25	0,24	250V FA 5,000 A 5 x 20AL	Y208263	MI5FAP25V5		
6,300		23	50	0,20	250V FA 6,300 A 5 x 20AL	Y208033	MI5FAP25V6,3		

\*Rating non approval

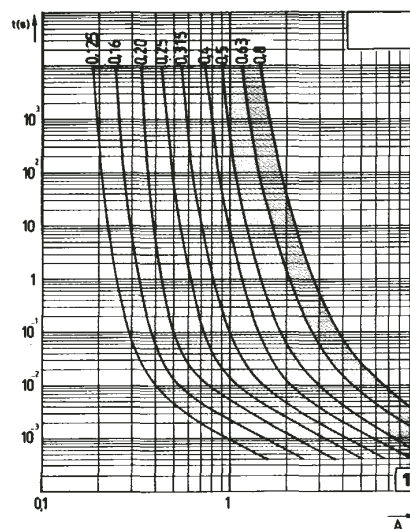
**Axial leads**  
**5x20**  
**250V - FA/FB "AL" Very Fast Acting**

## Time-current characteristics

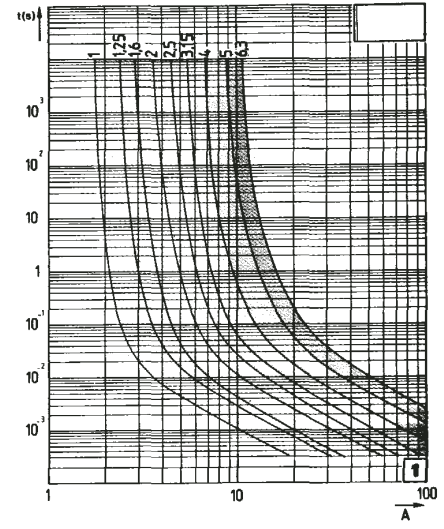
250V FB 5x20 AL



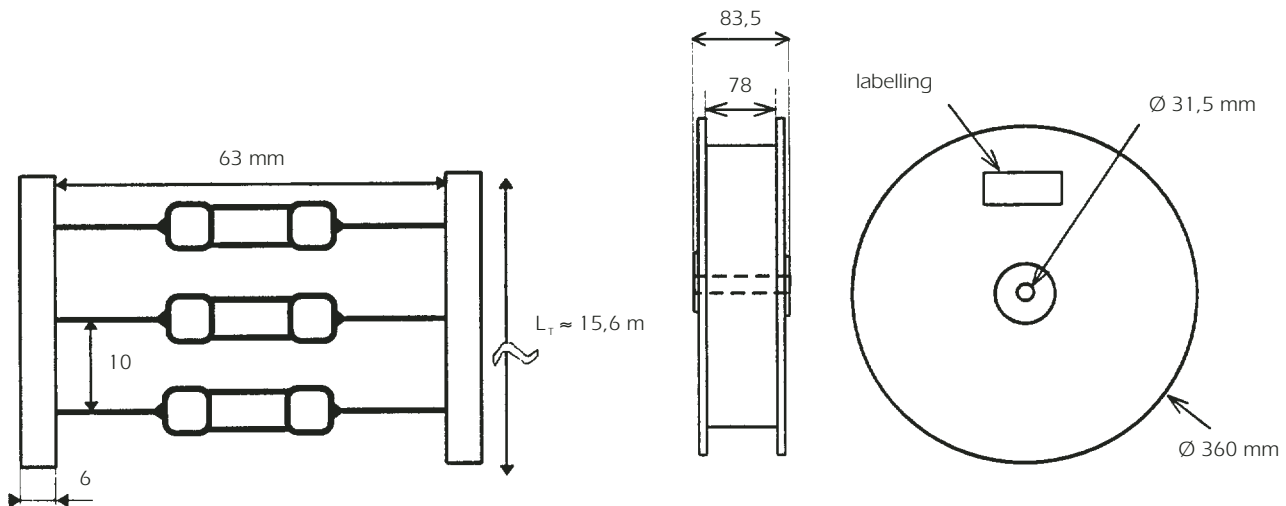
250V FA 5x20 AL



250V FA 5x20 AL



**Packaging:** in tape per 2000 pieces



## Installation instruction

Soldering heat resistance : according IEC 68-2-20 / 260°C for 10 seconds.

Material:

Body: ceramic tube

Connection: Tin plated copper