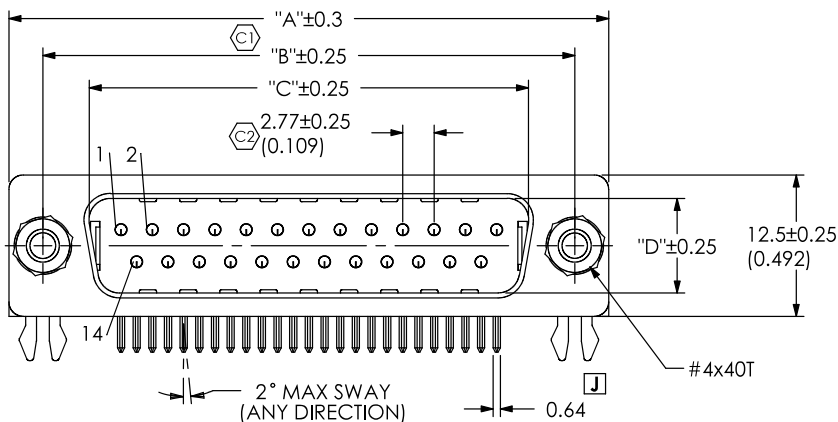


DO NOT SCALE FROM THIS PRINT

DSM-XXX-X-XX-P-X-XX-XX-X



TAIL SETBACK
-318
-590

SHELL SIZE / POSITION
-E-09 -A-15
-B-25 -C-37

GENDER
-P: PLUG

E&I OPTION

J -R: RoHS COMPLIANT LEAD-FREE (SEE NOTE 3)

MOUNTING FACE

-FT: FLUSHED THREADED INSERTS (RV-01)
-RJ: REMOVABLE JACK SCREWS (JS-01)
-MT: M3 METRIC THREADED INSERTS (RV-02)
-MJ: -MT OPTION WITH REMOVABLE M3 JACKSCREWS (JS-02)
-NT: NON-THREADED RIVETS (RV-03)

BOARD MOUNT

-FB: 318 FORKED BOARD LOCK (FB-318-TH)
-LB: 318 "L" BRACKET (LB-318-TH)
-TL: 318 THREADED "L" BRACKET (LB-318-T1)
-F2: 590 FORKED BOARD LOCK (FB-590-TH)
-T2: 590 TOP SIDE GROUND (LB-590-TH)

PLATING

-F: FLASH GOLD
-L: .000010" GOLD
-S: .000030" GOLD (SEE NOTE 2)

TABLE 1

POSITION	"A"	"B"	"C"	"D"	"E"
E-09	30.81	24.99	16.92	8.36	24.99
A-15	39.14	33.32	25.25	8.36	33.32
B-25	53.04	47.04	38.96	8.36	47.04
C-37	69.32	63.50	55.42	8.36	63.50

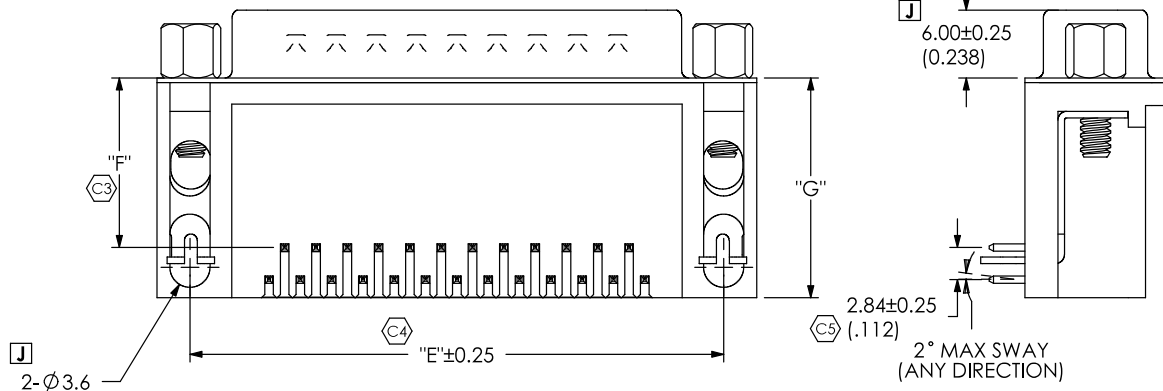
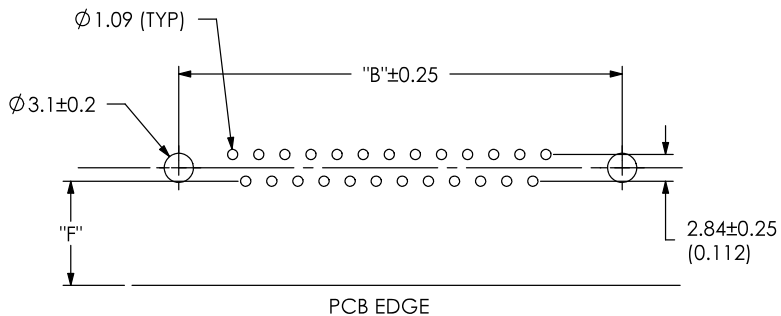


TABLE 2

SETBACK	"F"	"G"
-318	8.08	12.50
-590	15.00	19.41

NOTES:

- ⊕ REPRESENTS A CRITICAL DIMENSION.
- GOLD PLATING ON MATING AREAS, TIN LEAD ON TAILS.
- PARTS WITH -R HAVE BRIGHT ACID TIN ON TAILS.



PC BOARD LAYOUT

UNLESS OTHERWISE SPECIFIED, DIMENSIONS ARE IN MM.
TOLERANCES ARE:
DECIMALS ANGLES
.X: ±.40 [.02] 2°
.XX: ±.25 [.010]
.XXX: ±.15 [.0059]

PROPRIETARY NOTE

THIS DOCUMENT CONTAINS INFORMATION CONFIDENTIAL AND PROPRIETARY TO SAMTEC, INC. AND SHALL NOT BE REPRODUCED OR TRANSFERRED TO OTHER DOCUMENTS OR DISCLOSED TO OTHERS OR USED FOR ANY PURPOSE OTHER THAN THAT WHICH IT WAS OBTAINED WITHOUT THE EXPRESSED WRITTEN CONSENT OF SAMTEC, INC.

SAMTEC

520 PARK EAST BLVD, NEW ALBANY, IN 47150
* PHONE: 812.944.6733 FAX: 812.948.5047
e-Mail: INFO@SAMTEC.COM CODE: 55322

MATERIAL: DO NOT SCALE DRAWING SHEET SCALE: 1:0.8
INSULATOR: PBT, UL 94V-0 RATED, BLACK
CONTACT OR TERMINAL: BRASS
SHIELD: STEEL
MAX FLASH ALLOWED: .051
MAX GATE VESTIGE: .051
F:\DWG\MISC\MKTG\DSM-XXX-X-XX-P-X-XX-XX-MKT.SLDDRW



DESCRIPTION: R/A D-SUB, 318 & 590
DWG. NO. DSM-XXX-X-XX-P-X-XX-XX-X
BY: D FRALEY 01/30/04 SHEET 1 OF 1