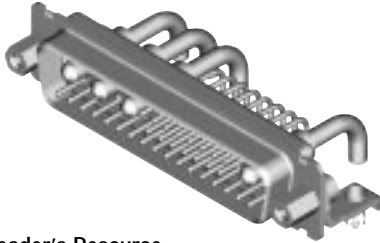


40 A High Power 90° PCB (Size DD)

Plug

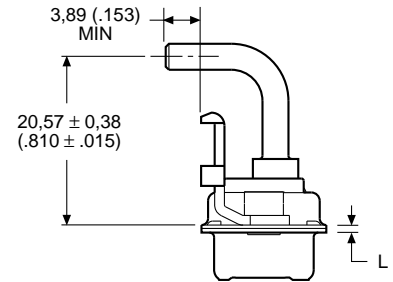
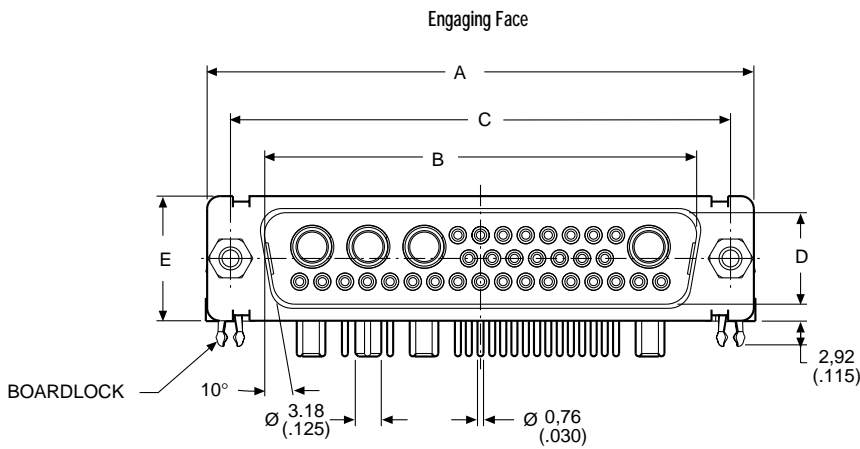


Part Numbers with Metal Bracket and Rivnut #4-40 UNC

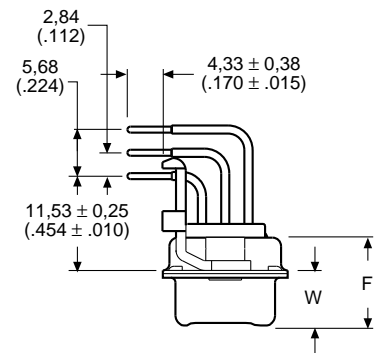
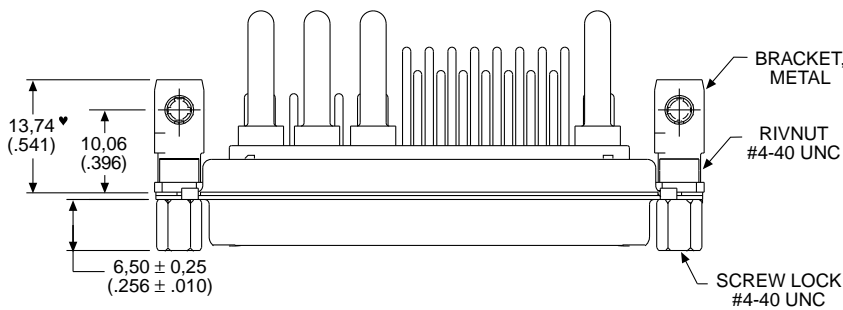
| Shell Size | Layout | Part Number Without Screw Locks Without Boardlocks | Part Number Without Screw Locks With Boardlocks | Part Number With Screw Locks Without Boardlocks | Part Number With Screw Locks With Boardlocks |
|------------|--------|--|---|---|--|
| DD         | 24W7   | DDMMP24H7PJ  | DDMMC24H7PJ                                     | DDMMD24H7PJ                                     | DDMMG24H7PJ                                  |
| DD         | 36W4   | DDMMP36H4PJ  | DDMMC36H4PJ                                     | DDMMD36H4PJ                                     | DDMMG36H4PJ                                  |
| DD         | 43W2   | DDMMP43H2PJ  | DDMMC43H2PJ                                     | DDMMD43H2PJ                                     | DDMMG43H2PJ                                  |
| DD         | 47W1   | DDMMP47H1PJ  | DDMMC47H1PJ                                     | DDMMD47H1PJ                                     | DDMMG47H1PJ                                  |

Reader's Resource

- For contact cavity arrangements, see page 222.
- For P.C. hole patterns, see page 246.
- For panel cutouts, see page 221.
- For hardware views (Standard), see page 226.
- For alternate bracket configuration (when connectors are supplied without boardlocks), see page 226.



Screw lock, boardlock, and signal contacts removed for clarity



Screw lock, boardlock, and high power contact removed for clarity

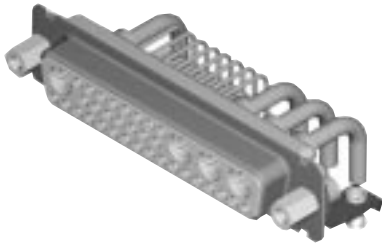
Note: ♥ Dimension varies with alternate bracket configuration, see Reader's Resource page 226.

Dimensions

| Shell Size | A             | B             | C             | D            | E            | F            | W            | L            |
|------------|---------------|---------------|---------------|--------------|--------------|--------------|--------------|--------------|
|            | ±0,38 (.015)  | ±0,13 (.005)  | ±0,13 (.005)  | ±0,13 (.005) | ±0,38 (.015) | ±0,25 (.010) | ±0,41 (.016) | ±0,25 (.010) |
| DD         | 66,93 (2.635) | 52,81 (2.079) | 61,11 (2.406) | 11,07 (.436) | 15,37 (.605) | 10,82 (.426) | 6,84 (.269)  | 0,99 (.039)  |

## 40 A High Power 90° PCB (Size DD)

### Receptacle

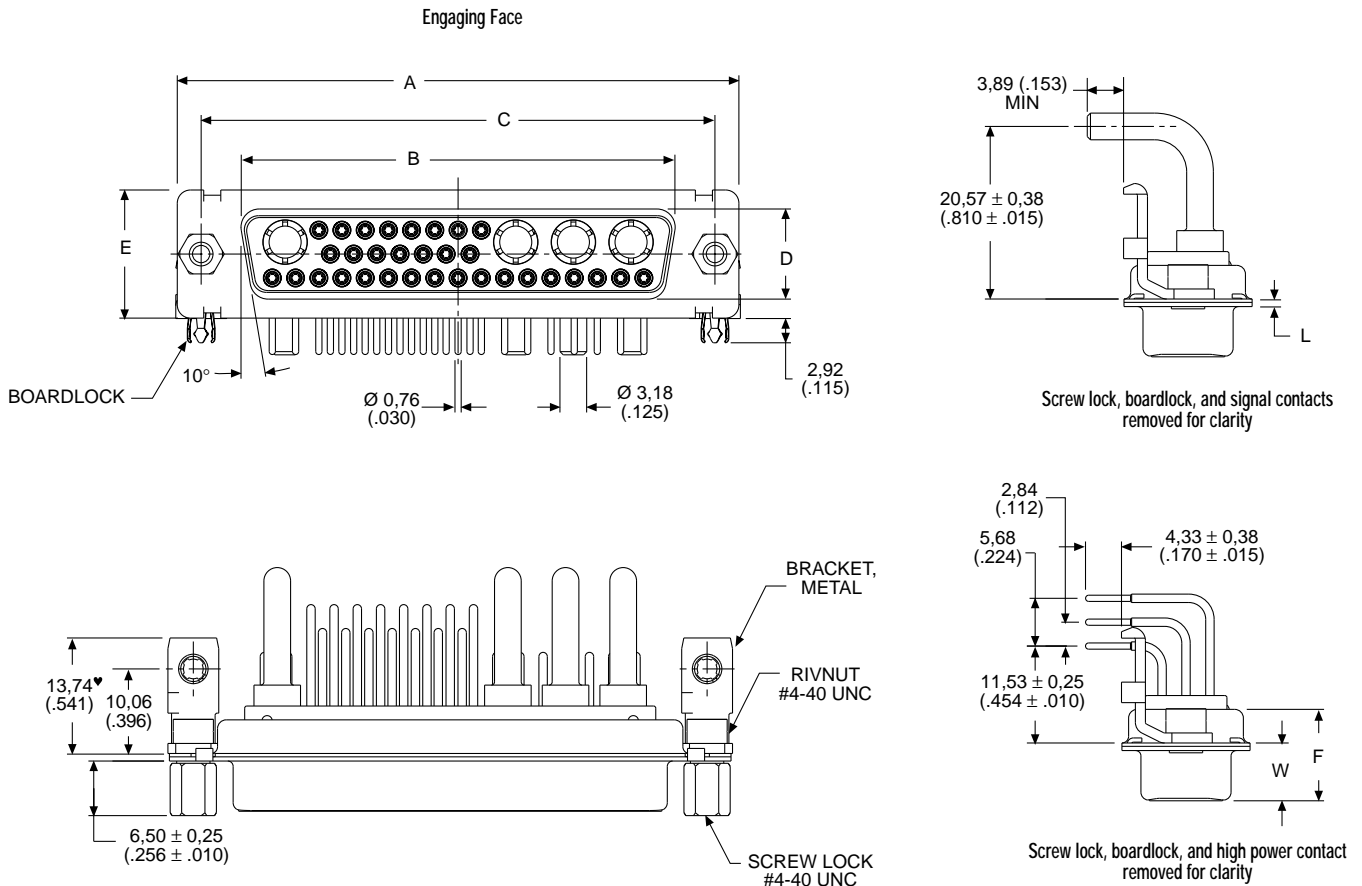


### Part Numbers with Metal Bracket and Rivnut #4-40 UNC

| Shell Size | Layout | Part Number Without Screw Locks Without Boardlocks | Part Number Without Screw Locks With Boardlocks | Part Number With Screw Locks Without Boardlocks | Part Number With Screw Locks With Boardlocks |
|------------|--------|--|---|---|--|
| DD         | 24W7   | DDMMP24H7SJ  | DDMMC24H7SJ                                     | DDMMD24H7SJ                                     | DDMMG24H7SJ                                  |
| DD         | 36W4   | DDMMP36H4SJ  | DDMMC36H4SJ                                     | DDMMD36H4SJ                                     | DDMMG36H4SJ                                  |
| DD         | 43W2   | DDMMP43H2SJ  | DDMMC43H2SJ                                     | DDMMD43H2SJ                                     | DDMMG43H2SJ                                  |
| DD         | 47W1   | DDMMP47H1SJ  | DDMMC47H1SJ                                     | DDMMD47H1SJ                                     | DDMMG47H1SJ                                  |

### Reader's Resource

- For contact cavity arrangements, see page 223.
- For P.C. hole patterns, see page 249.
- For panel cutouts, see page 221.
- For hardware views (Standard), see page 226.
- For alternate bracket configuration (when connectors are supplied without boardlocks), see page 226.



Note: ♥ Dimension varies with alternate bracket configuration, see Reader's Resource page 226.

### Dimensions

| Shell Size | A             | B             | C             | D            | E            | F            | W            | L            |
|------------|---------------|---------------|---------------|--------------|--------------|--------------|--------------|--------------|
|            | ±0,38 (.015)  | ±0,13 (.005)  | ±0,13 (.005)  | ±0,13 (.005) | ±0,38 (.015) | ±0,25 (.010) | ±0,38 (.015) | ±0,25 (.010) |
| DD         | 66,93 (2.635) | 52,42 (2.064) | 61,11 (2.406) | 10,74 (.423) | 15,37 (.605) | 10,90 (.429) | 6,94 (.273)  | 0,76 (.030)  |