

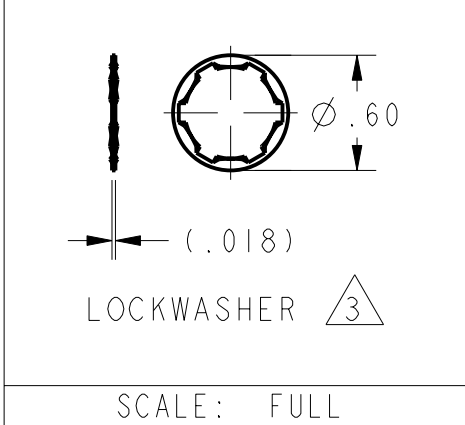
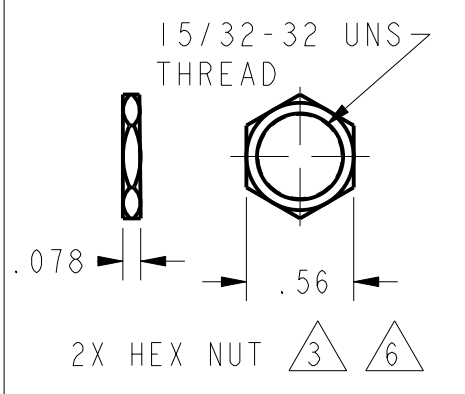
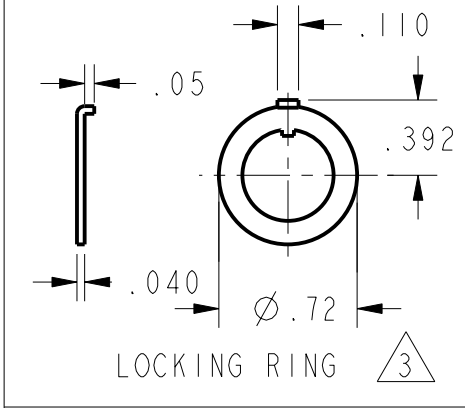
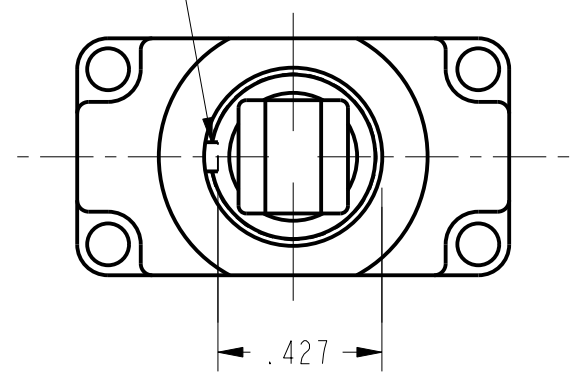
LEVER COLOR CODE ⁵	
COLOR IDENT	COLOR
01	WHITE
02	BLACK
03	BLUE
04	RED
05	GREEN
06	ORANGE
07	GRAY
08	YELLOW

CATALOG LISTING ⁵	CIRCUIT MADE WITH TOGGLE LEVER IN ⁴		
	KEYWAY SIDE (1-2)	CENTER (1-2)	OPPOSITE KEYWAY (2-3)
3INT392-1-	ON	OFF	ON
3INT392-2-	OFF	NONE	ON
3INT392-3-	ON	NONE	ON
3INT392-21-	NONE	OFF	ON
3INT392-31-	NONE	ON	ON
3INT392-4-	MOM OFF	NONE	ON
3INT392-5-	MOM ON	OFF	ON
3INT392-6-	MOM ON	NONE	OFF
3INT392-7-	MOM ON	OFF	MOM ON
3INT392-8-	MOM ON	NONE	ON
3INT392-51-	NONE	ON	MOM ON
3INT392-61-	MOM ON	OFF	NONE

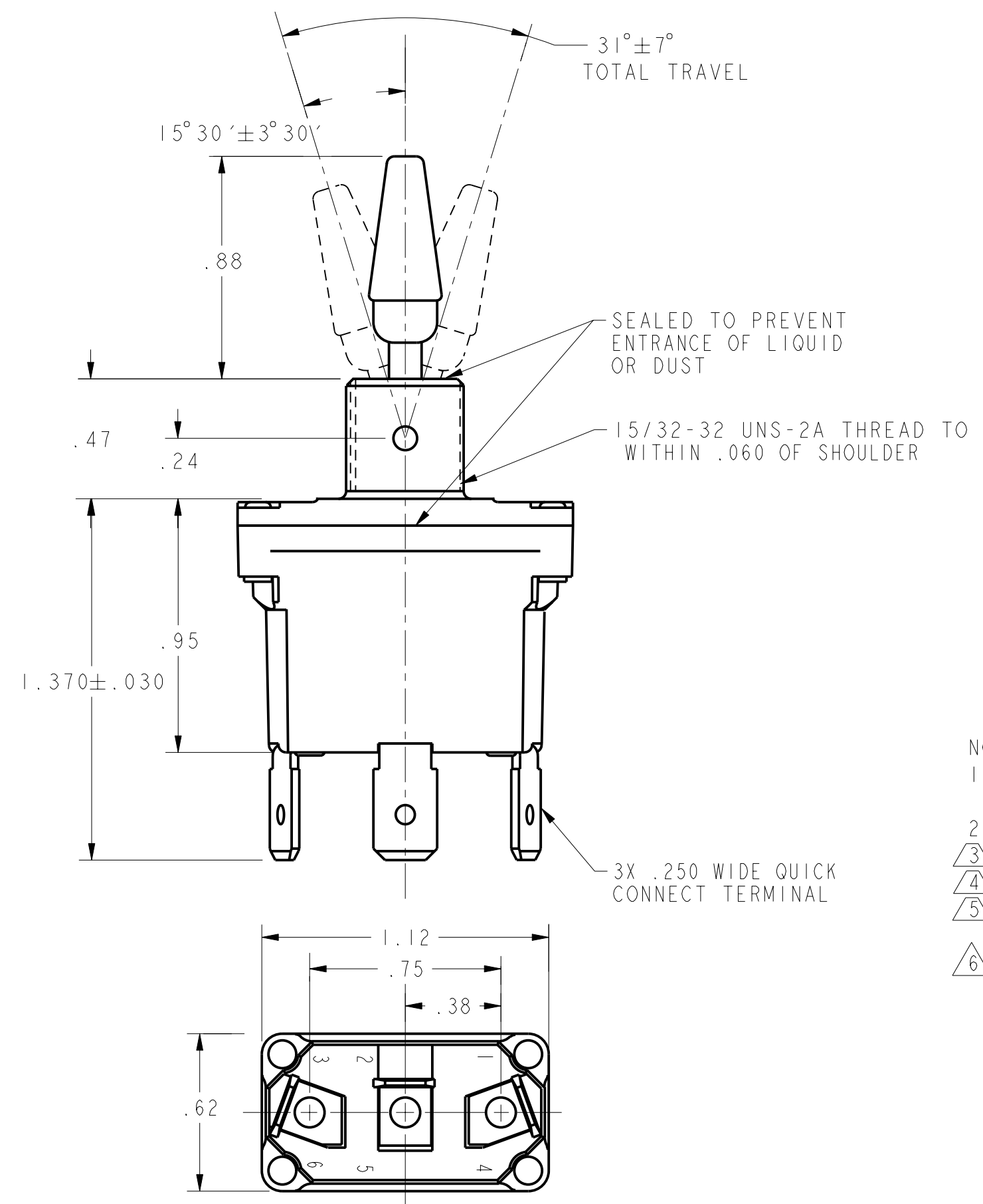
ELECTRICAL DATA	
L191	15A 125, 250, 277 VAC 1/2HP 125 VAC 1HP 250, 277 VAC 5A 125 VAC "L"
L192	10A 125, 250, 277 VAC 1/4HP 125 VAC, 1/2HP 250, 277 VAC 3A 125 VAC "L"

SPECIFICATION DETAILS:	
STANDARD:	
CONSTRUCTION:	
ENCLOSURE DESIGN	SEALED PER UL508, PARA. 13.3 HOSEDOWN
CONTACT MATERIAL & CONFIGURATION	SILVER CAD OXIDE CONTACTS
CIRCUIT CONFIGURATION	SEE CIRCUITRY CHART
TERMINATION	.250 WIDE QUICK CONNECT TERMINALS
WEIGHT	.07 LB APPROX
EXPOSED METALS	ALUMINUM COVER
ELECTRICAL CHARACTERISTICS:	
CONTACT ARRANGEMENT#	
ELECTRICAL RATINGS	SEE ELECTRICAL DATA CHART
-SEA LEVEL	
-70,000 FEET	
DIELECTRIC STRENGTH & INSULATION RES	DIELECTRIC STRENGTH INSULATION RESISTANCE
(≈ 60 Hz FOR 5 SECONDS)	
-BETWEEN TERMINALS AND EXPOSED NON-CURRENT CARRYING METAL	N/A N/A
-BETWEEN TERMINALS OF MUTUALLY INSULATED CIRCUITS	N/A N/A
-BETWEEN ALL UNCONNECTED TERMINALS OF THE SAME POLE	N/A N/A
SWITCH RESISTANCE	N/A
RECOMMENDATION OR USE IN APPL LESS THAN .5 amps AND/OR 12 volts	NO
MECHANICAL CHARACTERISTICS:	
OPERATING FORCE	N/A
RELEASE FORCE	N/A
DIFFERENTIAL TRAVEL	N/A
OVERTRAVEL	N/A
PRETRAVEL	N/A
MOUNTING STRENGTH	25 IN-LBS
ACTUATOR STRENGTH	25 LBS THROUGHOUT RANGE
LIFE:	
MECHANICAL LIFE	40,000
ELECTRICAL LIFE AT FULL RATED LOAD	20,000
ENVIRONMENTAL:	
TEMPERATURE RANGE	-40° C TO +71° C
ALTITUDE RANGE	N/A
SHOCK	N/A
VIBRATION	N/A
MOISTURE RESISTANCE	N/A
THERMAL SHOCK	N/A
SALT SPRAY	48 HRS

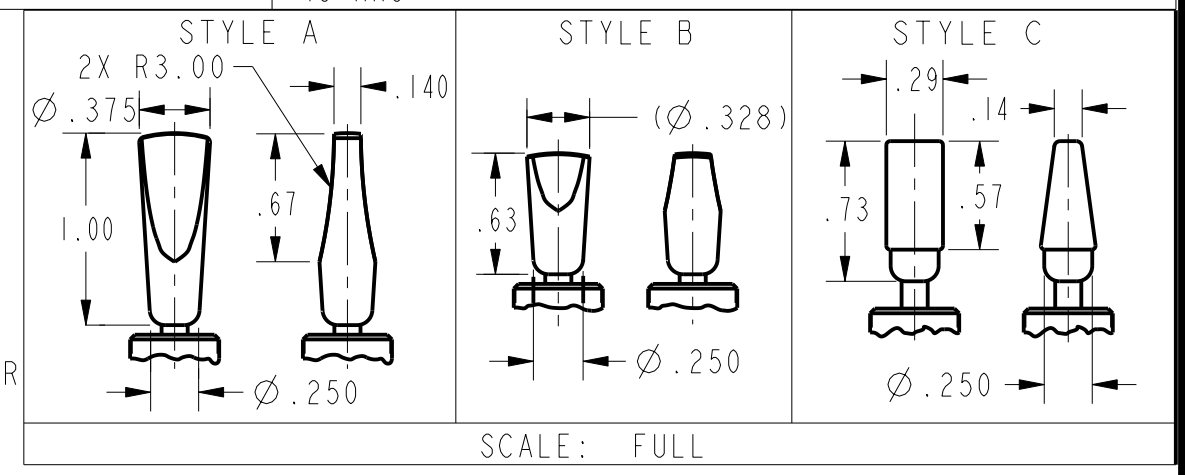
.076±.008 WIDE KEYWAY



SCALE: FULL



- NOTES
- SWITCHES ARE CAPABLE OF WITHSTANDING A TEMPERATURE OF 160° F CONTINUOUSLY AT FULL RATED LOAD
 - MICRO SWITCH CATALOG LISTING MARKED ON SIDE OF SWITCH FURNISHED UNASSEMBLED
 - APPLIES ONLY TO "ON" AND "MOMENTARY ON" POSITIONS SUFFIX MUST BE ADDED FOR DESIRED LEVER STYLE AND COLOR (EXAMPLE: 3INT392-1-C08)
 - ONE HEX NUT HAS BLACK FINISH



SCALE: FULL

3INT392 SERIES CHART 1
 DRAWING NUMBER
 ISSUE 3
 REVISIONS
 A C094360 TSM 20NOV99
 B 207607 TSM 7MAR03
 CHECK 20NOV99
 SAV
 CHECK 20NOV99
 P.T.C./CAD [20]
 DRAWN
 TSM 20NOV99
 CHECK
 SAV
 CHECK
 20NOV99
 RELEASE NO. PR-22298
 REPLACES

MICRO SWITCH a Honeywell Division FED. MFG. CODE 91929	SWITCH - TOGGLE	CATALOG LISTING 3INT392 SERIES CHART 1	THIRD ANGLE PROJECTION
		UNLESS OTHERWISE SPECIFIED TOLERANCES ARE ONE PLACE (.0) ±.030 TWO PLACES (.00) ±.015 THREE PLACES (.000) ±.005 ANGLES .07 LB± APPROX WEIGHT .07 LB APPROX	