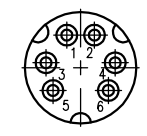
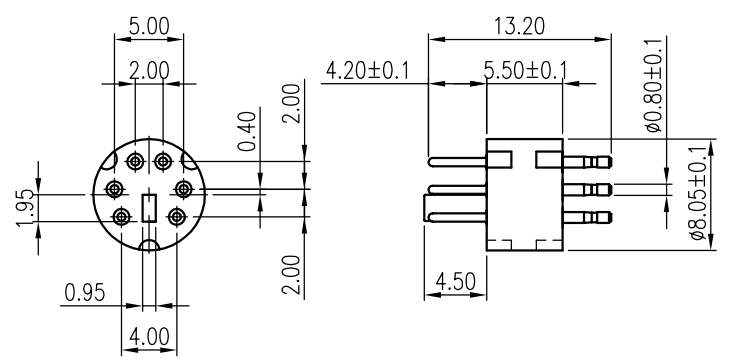
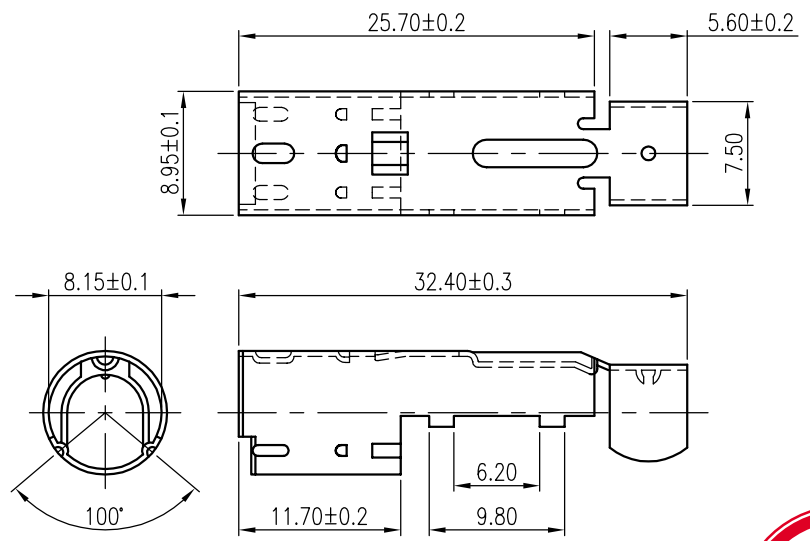


This document is the property of Amphenol Corporation and is delivered on the express condition that it is not to be disclosed, reproduced or used, in whole or in part, for manufacture or sale by anyone other than Amphenol Corporation without its prior consent, and that no right is granted to disclose or to use any information in this document.

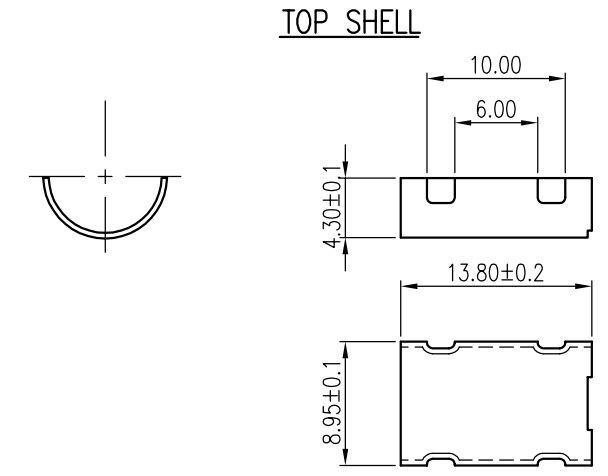
CUSTOMER DRAWING

ORIGINAL

REVISIONS				
SYM	ECN No.	DESCRIPTION	DATE	APPROVED
A		RELEASE FOR RoHS	06/01/2005	Raymond Chao

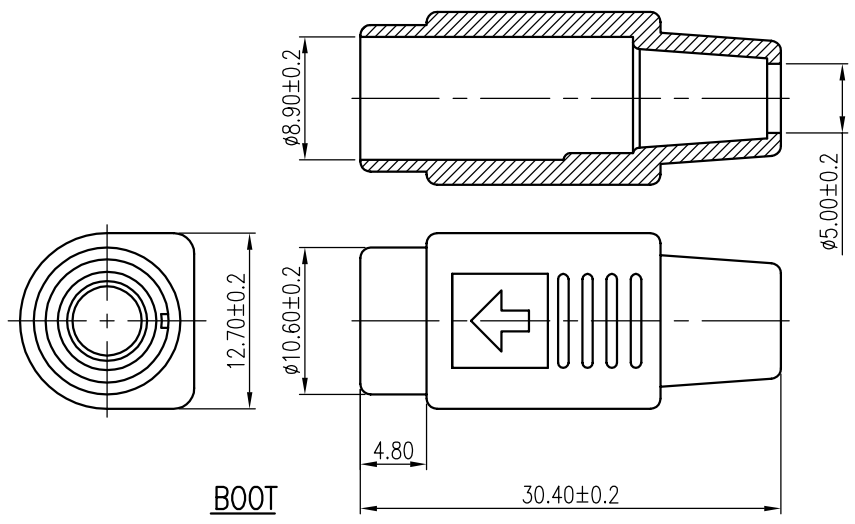


CONTACT & INSULATOR
(PIN ARRANGEMENT MUST SEE PAGE 2 OF 2)



TOP SHELL

BOTTOM SHELL



BOOT

- NOTES:
- INSULATOR: PBT, UL 94V-0, COLOR- BLACK
 - CONTACT: BRONZE, SILVER PLATED
 - TOP/ BOTTOM SHELL: BRASS, NICKEL PLATED
 - BOOT: PVC, COLOR- BLACK
 - THIS PRODUCT DOESN'T CONTAIN ENVIRONMENTAL HAZARDOUS MATERIALS PER DIRECTIVE 2002/95/EC FOR RoHS.

TOLERANCE m/m	APPROVALS	DATE	TITLE	Amphenol® Amphenol Corporation Amphenol Taiwan Corporation		
x. ±0.30	DRAWN Sondra Sang	06/01/05	G18E SERIES CABLE MOUNT SOLDER TYPE PLUG, SHORT STYLE	SCALE	N.A.	SHEET 1 OF 2
x.x ±0.25	CHECKED Laura Su	06/01/05				
x.xx ±0.15	APPROVED Ken Lin for	06/01/05				
x.xxx ±0.08			SIZE	DRAWING NO.		REV.
ANGULAR ±2°			A3	MDIN-G18EXX1111EU-06		A
UNLESS OTHERWISE SPECIFIED			UNIT			
			MM			

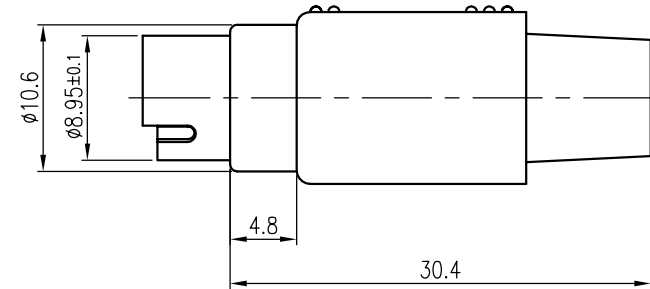
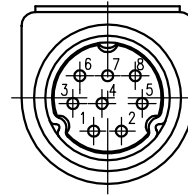
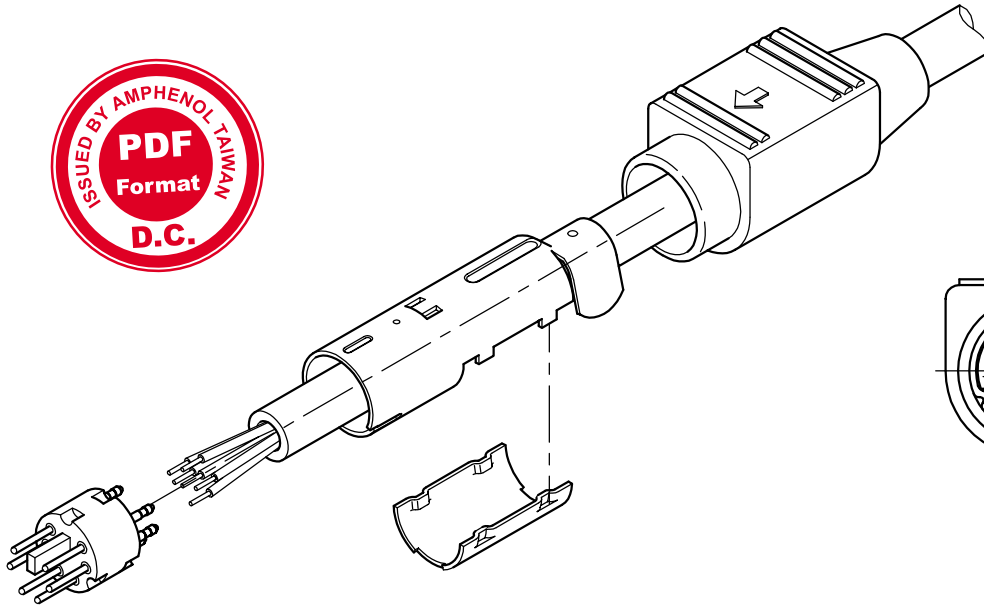
This document is the property of Amphenol Corporation and is delivered on the express condition that it is not to be disclosed, reproduced or used, in whole or in part, for manufacture or sale by anyone other than Amphenol Corporation without its prior consent, and that no right is granted to disclose or to use any information in this document.

CUSTOMER DRAWING

REVISIONS				
SYM	ECN No.	DESCRIPTION	DATE	APPROVED
A		RELEASE FOR RoHS	06/01/2005	Raymond Chao



ORIGINAL



ARRANGEMENT OF CONTACTS	3P	4P	5P	6P	7P	8P
NO OF CONTACTS	3P	4P	5P	6P	7P	8P
PART NUMBER	G18E 03 1111 EU	G18E 04 1111 EU	G18E 05 1111 EU	G18E 06 1111 EU	G18E 07 1111 EU	G18E 08 1111 EU

TOLERANCE m/m	x.	±0.30	APPROVALS	DATE	TITLE	G18E SERIES CABLE MOUNT SOLDER TYPE PLUG, SHORT STYLE	Amphenol® Amphenol Corporation Amphenol Taiwan Corporation			
	x.x	±0.25						DRAWN	Sondra Sang	06/01/05
	x.xx	±0.15						CHECKED	Laura Su	06/01/05
	x.xxx	±0.08						APPROVED	Ken Lin for	06/01/05
ANGULAR	±2°									
UNLESS OTHERWISE SPECIFIED			UNIT	MM	SIZE	A3	SCALE N.A.			
					PART NO.	G18E XX 1111 EU	SHEET 2 OF 2			
					DRAWING NO.	MDIN-G18EXX1111EU_1-06	REV. A			