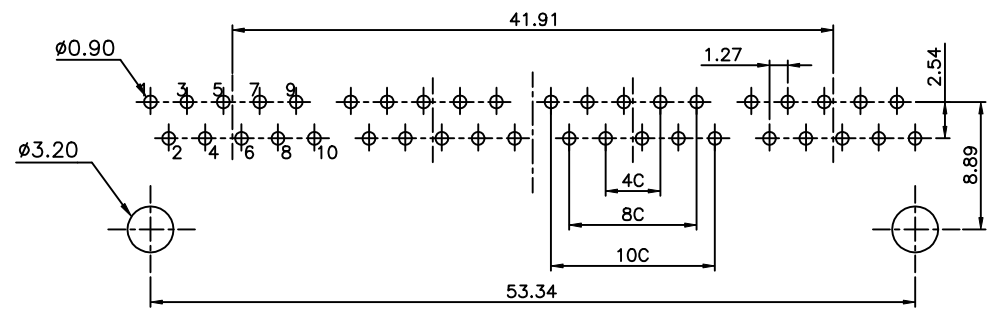
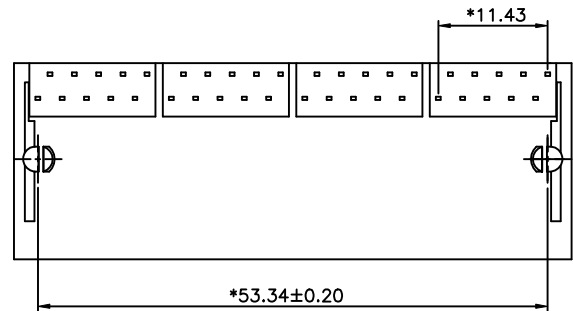
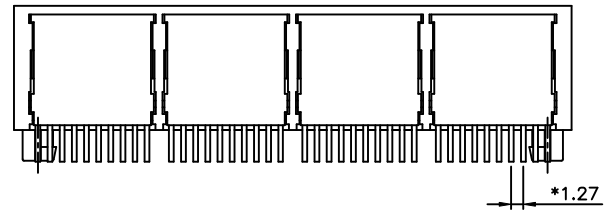
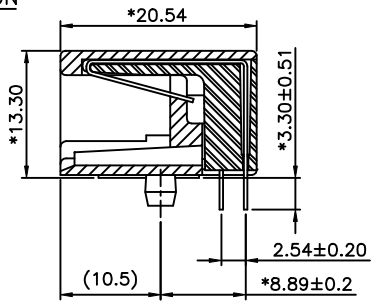
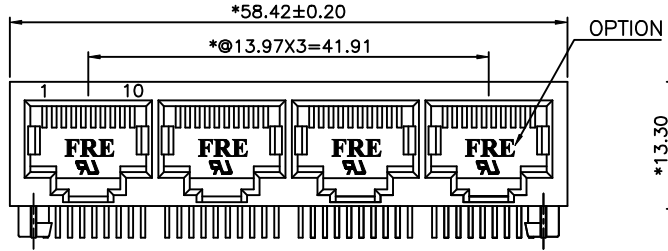


REVISION RECORD				
REV	ECO	DESCRIPTION	DRFT	CHKD



PC Board Layout  
Component Side Shown

**NOTES:**

**ELECTRICAL:**

- VOLTAGE RATING : 125 VAC RMS .
- CURRENT RATING : 1.5 AMP MIN.
- CONTACT RESISTANCE : 50 MILLIOHMS MAX.
- INSULATION RESISTANCE: 1000 MEGOHMS MIN @ 500 VDC.
- DIELECTRIC STRENGTH : 1000 VAC RMS 60Hz, 1MIN.

**MECHANICAL:**

- HOUSING MATERIAL : FR52 UL94V-0.
- CONTACT MATERIAL : PHOSPHOR BRONZE t=0.35mm.
- PLATING : GOLD PLATING OVER NICKEL.
- OPERATING LIFE : 750 CYCLES MIN.
- PCB RETENTION PRE-SOLDER : 1 LB MIN.
- PCB RETENTION POST-SOLDER: 10 LBS MIN.

**ENVIRONMENTAL:**

- STORAGE : -40°C TO +85°C.
- OPERATION: 0°C TO 70°C.
- WAVE SOLDERING TEMPERATURE: 250°C~265°C (5~10 SECONDS).

MATES WITH MODULAR PLUG CONFORMING TO

FCC PART 68, SUBPART F.

CUL FILE NO. E163191

PART NUMBER: E590X-00C3XX-L

NO. OF CONTACT  
B- 4 CONTACTS  
8- 8 CONTACTS  
1-10 CONTACTS

1- 3u" 2- 6u" 3-15u"  
4-30u" 5-50u"

4-W/O PANEL STOP SPLIT FOOT ,STAMPET PIN  
J-W/O PANEL STOP SPLIT FOOT ,STAMPET PIN ,W/O FRE LOGO

DETACHED LISTS	MM (INCH)	DFTO YICAN DATE 04/15/05	FULL RISE ELECTRONIC CO., LTD		
	TOLERANCES EXCEPT AS NOTED	CHKDQIANPU DATE2005/4/18			
	.0 ±	MFO DATE	TITLE		
	.00 ± ± 0.2	APPVLLUSHENG DATE2005/4/18	20.57 FLANGELESS PCB		
.000 ± ± 0.15	MATERIAL :	JACK 10P 4PORTS	DRAWING NO. GE593A49-LA	SIZE A3	REV 0
ANGLES ± 0.5	QT'Y :	/PART NO. SEE NOTE	DO NOT SCALE DRAWING	SHEET	OF
THIRD ANGLE PROJECTION	FINISH :	SCALE : 2 : 1			