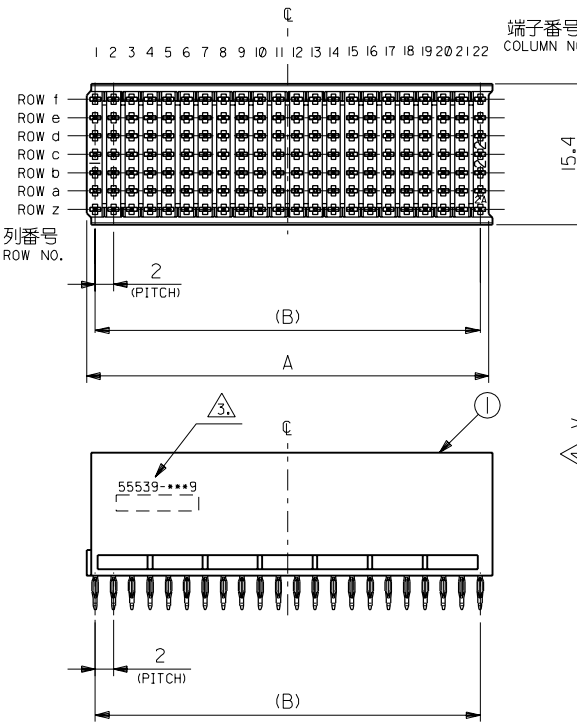
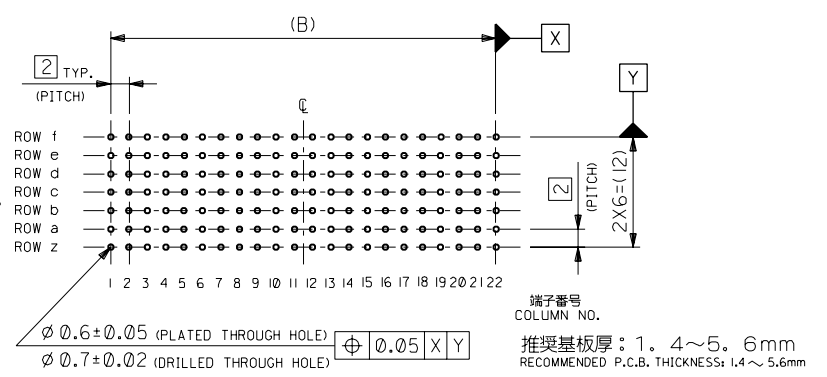


DWG. NO. SD-55539-001



番号 NO.	部品 PART NAME	材質 MATERIAL	仕上げ FINISH
①	プラグ ハウジング PLUG HOUSING	ポリエステル, ガラス充填, 灰色, UL 94V-0 PBT GLASS FILLED, GRAY, UL 94V-0	—
②	プラグ ピン PLUG PIN	リン青銅 PHOSPHOR BRONZE	△



基板穴推奨寸法 (バックプレーン側)
RECOMMENDED P.C.B. LAYOUT (BACKPLANE)

43.9	42	55539-1549	154
43.9	42	55539-1109	110
37.9	36	55539-1339	133
A	B	MATERIAL NO.	極数 PIN

DO NOT SCALE DRAWING

EC NO.	DRWN:	CHK:	APPR:	REV	DESCRIPTION	WIRE RANGE	INS. RANGE	MATERIAL	FINISH	GENERAL TOLERANCES:	SCALE	DESIGN UNITS	TITLE:	DIMENSIONS:	SHT	REV
										10 UNDER 未滿	2-1	mm	"MZP" B/B CONN. PLUG STRAIGHT ASS'Y COMPACT PCI (SHORT TAIL)	mm INCH mm ONLY		
										10 OVER 以上 30 UNDER 未滿						
										30 OVER 以上						
										ANGLE 角度						
										THIS DRAWING CONTAINS INFORMATION THAT IS PROPRIETARY TO MOLEX INCORPORATED AND SHOULD NOT BE USED WITHOUT WRITTEN PERMISSION.						

SD-55539-001/5A

DWG. NO. SD-55539-001

E

D

v

C

B

DO NOT SCALE DRAWING

シーケンス表
SEQUENCE TABLE

55539-1549

C	C	C	C	C	C	C	C	C	C	C	C	C	C	C	C	C	C	C	C	C	C	C	
B	B	B	B	B	B	B	B	B	B	B	B	B	B	B	B	B	B	B	B	B	B	B	B
B	B	B	B	B	B	B	B	B	B	B	B	B	B	B	B	B	B	B	B	B	B	B	B
C	C	C	C	C	C	C	C	C	C	C	C	C	C	C	C	C	C	C	C	C	C	C	C
B	B	B	B	B	B	B	B	B	B	B	B	B	B	B	B	B	B	B	B	B	B	B	B
B	B	B	B	B	B	B	B	B	B	B	B	B	B	B	B	B	B	B	B	B	B	B	B
C	C	C	C	C	C	C	C	C	C	C	C	C	C	C	C	C	C	C	C	C	C	C	C

22 21 20 19 18 17 16 15 14 13 12 11 10 9 8 7 6 5 4 3 2 1

55539-1109

A	A	A	A	A	A	A	B	B	B	B	B	B					B							B
A	A	A	A	A	A	A	B	B	B	B	B	B					B							B
A	A	A	A	A	A	A	B	B	B	C	C	C					B							B
A	A	A	A	A	A	A	B	B	B	A	B	B					B							B
A	A	A	A	A	A	A	B	B	B	B	B	B					B							B

22 21 20 19 18 17 16 15 14 13 12 11 10 9 8 7 6 5 4 3 2 1

55539-1339

C	C	C	C	C	C	C	C	C	C	C	C	C	C	C	C	C	C	C	C	C	C	C	C	C	C	
B	B	B	B	B	B	B	B	B	B	B	B	B	B	B	B	B	B	B	B	B	B	B	B	B	B	B
B	B	B	B	B	B	B	B	B	B	B	B	B	B	B	B	B	B	B	B	B	B	B	B	B	B	B
C	C	C	C	C	C	C	C	C	C	C	C	C	C	C	C	C	C	C	C	C	C	C	C	C	C	
B	B	B	B	B	B	B	B	B	B	B	B	B	B	B	B	B	B	B	B	B	B	B	B	B	B	B
B	B	B	B	B	B	B	B	B	B	B	B	B	B	B	B	B	B	B	B	B	B	B	B	B	B	B
C	C	C	C	C	C	C	C	C	C	C	C	C	C	C	C	C	C	C	C	C	C	C	C	C	C	

19 18 17 16 15 14 13 12 11 10 9 8 7 6 5 4 3 2 1

- 注記**
NOTES
- ① ターミナルめっき仕様
TERMINAL PLATING
接点部：金めっき 0.8 µm MIN.
CONTACT AREA : GOLD 0.8 µm MIN.
下地：ニッケルめっき 1.3 µm MIN.
UNDER PLATING : NICKEL 1.3 µm MIN.
 - ② f 列及び z 列はシールドフレーム用基板穴。
THROUGH HOLE OF ROW f AND ROW z FOR SHIELDING FRAME.
 - ③ 製品番号及びロットナンバー
MATERIAL NO. & LOT NO.
 - ④ シーケンス表及びコンタクト長さ参照。
REFER TO SEQUENCE TABLE AND CONTACT LENGTH.
コンタクト長さ
CONTACT LENGTH

PIN	V
A	5.3
B	6.8
C	8.3

←	EC NO. DRWN: CHK: APPR:	EC NO. DRWN: CHK: APPR:	EC NO. DRWN: CHK: APPR:	EC NO. DRWN: CHK: APPR:	SEE SHEET NO.1 EC NO. DRWN: CHK: APPR:	DESCRIPTION	MATERIAL 材料 ---	GENERAL TOLERANCES: (UNLESS SPECIFIED) 一般公差	SCALE 2-1	DESIGN UNITS mm INCH <input checked="" type="checkbox"/> <input type="checkbox"/>	<input type="checkbox"/> mm <input type="checkbox"/> INCH <input checked="" type="checkbox"/> mm ONLY	THIRD ANGLE PROJECTION <input checked="" type="checkbox"/>	SHT	REV
	DRAWN BY & DATE <i>S. Ando</i> '00/01/24						TITLE: "MZIP" B/B CONN. PLUG STRAIGHT ASS'Y COMPACT PCI (SHORT TAIL)							
	CHECKED BY & DATE <i>A. Naka</i> '00/01/24													
	APPROVED BY & DATE <i>H. Iwano</i> '00/01/24						MATERIAL NO. SEE TABLE	DRAWING NO. SD-55539-001	SHEET NO. 2	SIZE B				

THIS DRAWING CONTAINS INFORMATION THAT IS PROPRIETARY TO MOLEX INCORPORATED AND SHOULD NOT BE USED WITHOUT WRITTEN PERMISSION.

8

7

6

5

4

3

2

EN-02J(097) MXJ-54

SD-55539-001S92

F

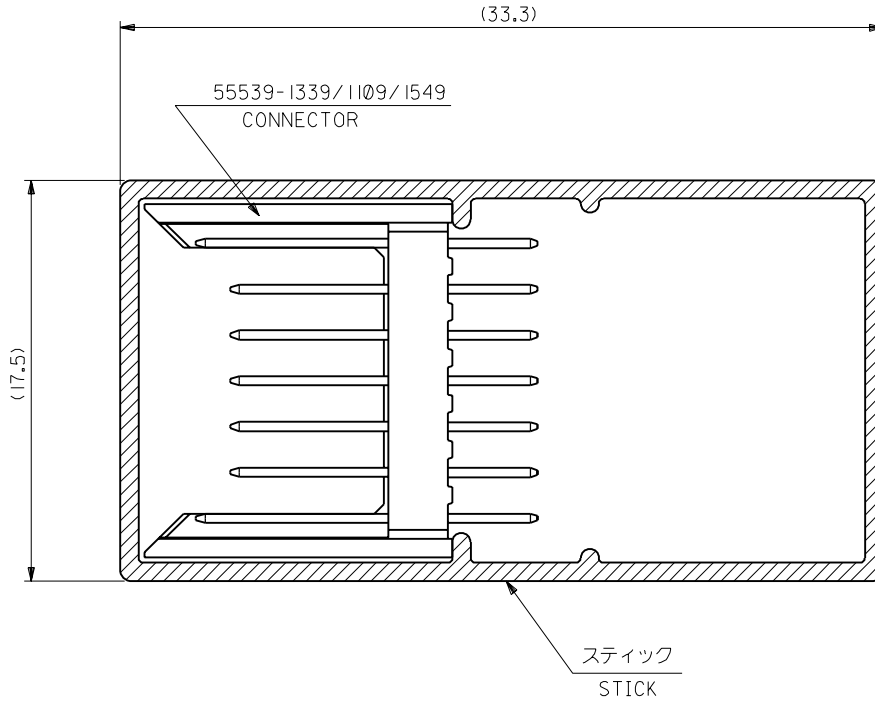
E

D

C

B

DWG. NO. SD-55539-004



注記
NOTES

1. スティック両端はテープ止め。
BOTH ENDS WITH TAPES.
2. 全長：600±2
TOTAL LENGTH: 600±2
3. 肉厚：0.8±0.2
THICKNESS: 0.8±0.2

13	55539-1549	55539-1541	154
13	55539-1109	55539-1101	110
15	55539-1339	55539-1331	133
梱包数 QUANTITY	CONNECTOR	MATERIAL NO.	極数 CKT. No.

DO NOT SCALE DRAWING	EC NO. DRWN: CHK: APPR:	EC NO. DRWN: CHK: APPR:	EC NO. DRWN: CHK: APPR:	REVISED EC NO. JD2001-0101 DRWN: S.ANDO 00/07/19 CHK: A.NODA 00/07/19 APPR: H.IKESUGI 00/07/19	RELEASED EC NO. JD2000-1027 DRWN: S.ANDO 00/04/17 CHK: A.NODA 00/04/17 APPR: H.IKESUGI 00/04/17	DESCRIPTION	MATERIAL 材料 スティック：ポリ塩化ビニル STICK: PVC	GENERAL TOLERANCES: (UNLESS SPECIFIED) 一般公差	SCALE 5-1	DESIGN UNITS <input checked="" type="checkbox"/> mm <input type="checkbox"/> INCH	THIRD ANGLE PROJECTION	DIMENSIONS: <input type="checkbox"/> mm <input type="checkbox"/> INCH <input checked="" type="checkbox"/> mm ONLY	SHT REV
						FINISH 仕上げ	#	10 UNDER 未満	+0.2	DRAWN BY & DATE S. Ando 00/03/30	TITLE: "MZP" B/B CONN. PLUG STRAIGHT ASS'Y COMPACT PCI (SHORT TAIL) STICK PACKAGING FOR 55539	REVISE ON CAD ONLY	
						WIRE RANGE 適用電線範囲	#	10 OVER 以上	+0.25	CHECKED BY & DATE A. Noda 00/03/30	APPROVED BY & DATE H. Ikegami 00/03/30	MOLEX INCORPORATED	
						INS. RANGE 被覆外径	#	30 OVER 以上	+0.3	CAD FILENAME SD-55539-004.S01	MATERIAL NO. SEE TABLE	DRAWING NO. SD-55539-004	SHEET NO. 1 OF 1
							ANGLE 角度	+3°	THIS DRAWING CONTAINS INFORMATION THAT IS PROPRIETARY TO MOLEX INCORPORATED AND SHOULD NOT BE USED WITHOUT WRITTEN PERMISSION.				SIZE B