

**z SPECIFICATIONS**

**D-SUB Connector**

**Mechanical**

**Contact Engagement Force** : 0.34 Kgf/ Pin max.  
**Contact Separation Force** : 0.021 Kgf/ Pin min.  
**Durability** : 500 Cycles

**Electrical**

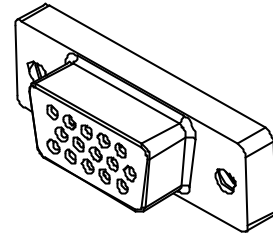
**Voltage Rating**: 240V  
**Current Rating**: 1A  
**Contact Resistance**: 25 mW max.  
**Dielectric Withstanding Voltage**: 750V AC/1 min.  
**Insulation Resistance**: 5000MW

**Physical**

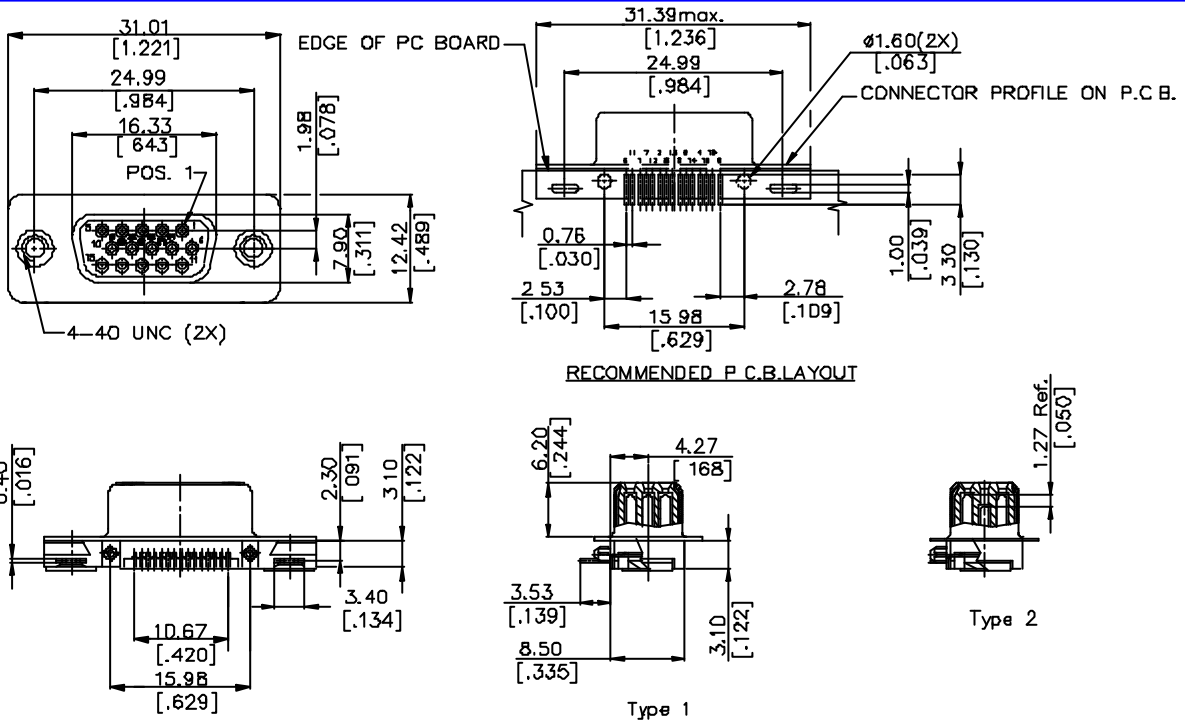
**Housing**: Thermoplastic, UL 94V-0 rated in Black/ PC99 Color  
**Contact**: Copper alloy  
**Plating**: See "ORDERING INFORMATION"  
**Solder Pad**: Copper alloy  
**Operating Temperature**: -55 to +105

**DS Series**

**Right Angle, SMT, Female**  
**Type**  
**15 Pos.**  
**Center Height 4.27 mm**  
**Recommended PCB's Thickness 1.6 mm**



**DRAWING**



**ORDERING INFORMATION**

**PRODUCT NO.:** DS01A9\*--H2L8--(HT/TR)

D-SUB SMT Series  
Terminator Type  
0 = Straight Angle  
Contact Design Type  
1 = Female  
NO. of Contact POS.  
A = 15 POS. High Density

Packing Code  
Extension Code  
Contact Area Plating  
1= Gold Flash  
6= 10u" Gold  
7= 15u" Gold  
Body Length

DS01A9*--H2	BLACK	1
DS01A9*--L8	BLUE	2
P/ N	PLASTICS COLOR	TYPE