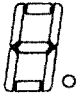
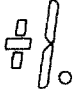
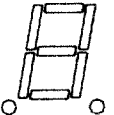
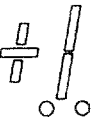


# LED DISPLAY

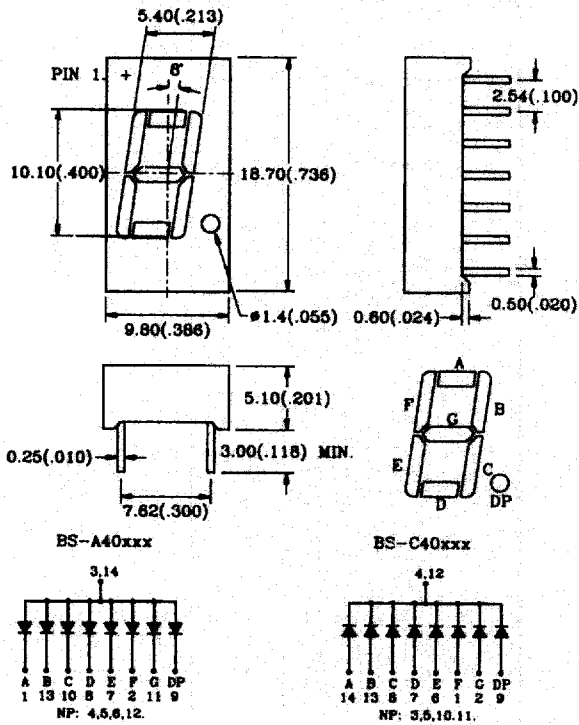
## SINGLE DIGIT LED DISPLAYS

Digit Size	Part No.		Chip		Absolute Maximum Ratings				Electro-optical Data(At 10mA)			Drawing No.	
			Emitted Color	Peak Wave Length $\lambda_p$ (nm)	$\Delta\lambda$ (nm)	Pd(mW)	If(mA)	Peak If(mA)	Vf(V)		Iv Typ. Per Seg. (mcd)		
	Common Anode	Common Cathode							Typ.	Max.			
	0.40"	BS-A401RD	BS-C401RD	Red	655	40	110	40	200	1.6	2.0	0.6	SD-05
		BS-A405RD	BS-C405RD	Bright Red	700	90	50	15	50	2.1	2.5	1.0	
		BS-A405RE	BS-C405RE										
		BS-A402RD	BS-C402RD	Green	568	30	100	30	150	2.1	2.5	1.5	
		BS-A403RD	BS-C403RD	Yellow	585	35	100	30	150	2.0	2.5	1.2	
		BS-A404RD	BS-C404RD	Hi-Eff Red	635	45	100	30	150	1.9	2.5	1.5	
				Orange									
BS-A406RD	BS-C406RD	Super Red	660	20	60	20	150	1.7	2.5	4.5			
	0.40"	BF-U401RD		Red	655	40	110	40	200	1.6	2.0	0.6	SD-06
		BF-U405RD		Bright Red	700	90	50	15	50	2.1	2.5	1.0	
		BF-U405RE											
		BF-U402RD		Green	568	30	100	30	150	2.1	2.5	1.5	
		BF-U403RD		Yellow	585	35	100	30	150	2.0	2.5	1.2	
		BF-U404RD	BS-C404RD	Hi-Eff Red	635	45	100	30	150	1.9	2.5	1.5	
				Orange									
BF-U406RD		Super Red	660	20	60	20	150	1.7	2.5	4.5			
	0.43"	BS-A411RD	BS-C411RD	Red	655	40	110	40	200	1.6	2.0	0.8	SD-07
		BS-A415RD	BS-C415RD	Bright Red	700	90	50	15	50	2.1	2.5	1.5	
		BS-A415RE	BS-C415RE										
		BS-A412RD	BS-C412RD	Green	568	30	100	30	150	2.1	2.5	2.5	
		BS-A413RD	BS-C413RD	Yellow	585	35	100	30	150	2.0	2.5	2.0	
		BS-A414RD	BS-C414RD	Hi-Eff Red	635	45	100	30	150	1.9	2.5	2.5	
				Orange									
BS-A416RD	BS-C416RD	Super Red	660	20	60	20	150	1.7	2.5	5.5			
	0.43"	BF-U411RD		Red	655	40	110	40	200	1.6	2.0	0.8	SD-08
		BF-U415RD		Bright Red	700	90	50	15	50	2.1	2.5	1.5	
		BF-U415RE											
		BF-U412RD		Green	568	30	100	30	150	2.1	2.5	2.5	
		BF-U413RD		Yellow	585	35	100	30	150	2.0	2.5	2.0	
		BF-U414RD	BS-C414RD	Hi-Eff Red	635	45	100	30	150	1.9	2.5	2.5	
				Orange									
BF-U416RD		Super Red	660	20	60	20	150	1.7	2.5	5.5			

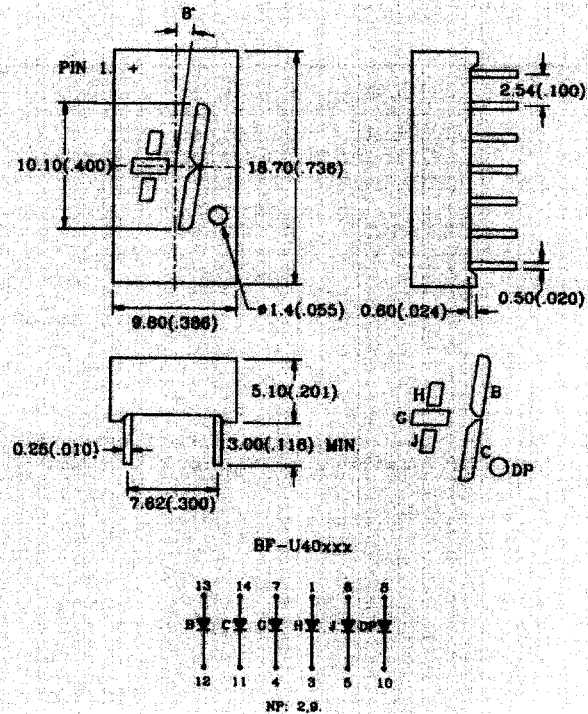
Remark: • The average luminous intensity is obtained by summing the luminous intensity of each segment and dividing by total number of segments.  
 • Above part numbers are all with black surface and white segment. For part numbers with other surface and segment color combinations, please check the selection guide/Part number system.

# LED DISPLAY

## SD-05 BS<sup>A</sup><sub>C</sub>40xxx Series



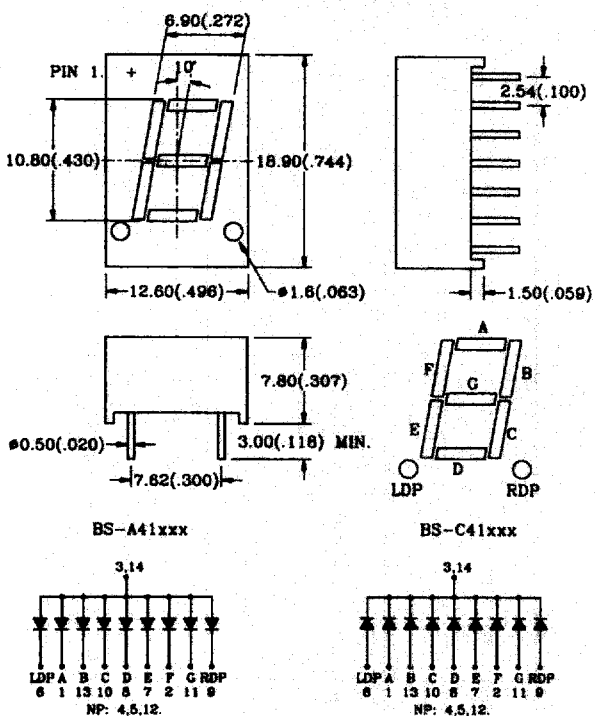
## SD-06 BF-U40xxx Series



## PACKAGE DIMENSIONS

- NOTES:
1. All Dimensions are in millimeters (inches).
  2. Tolerance is  $\pm 0.25\text{mm}$  (.010") unless otherwise specified.
  3. Specifications are subject to change without notice.
  4. Np: No Pin.
  5. NC: No Connect.

## SD-07 BS<sup>A</sup><sub>C</sub>41xxx Series



## SD-08 BF-U41xxx Series

