

**SPECIFICATIONS**

**Friction Header Connector**

**Mechanical**

**Contact Retention Force:** 0.9kg min.

**SL22 Series**

**Vertical T/H Type**

**2.54mmX2.54mm Grid**

**[.100"X.100"] Pitch Dual**

**Row Receptacle**

**Electrical**

**Voltage Rating:** 125V

**Current Rating:** 3.0A

**Contact Resistance:** 20mΩ max.

**Dielectric Withstanding Voltage:** 500V AC

**Insulation Resistance:** 1000MΩ min.

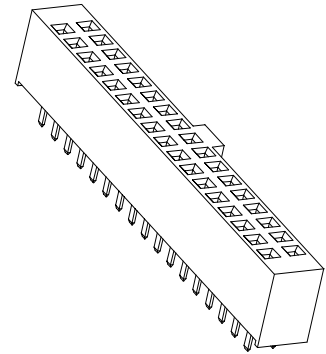
**Physical**

**Housing:** Thermoplastic, Glass Filled , UL94V-0 rated

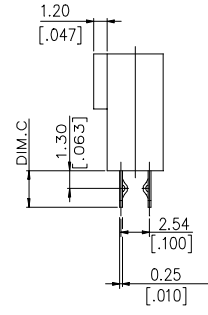
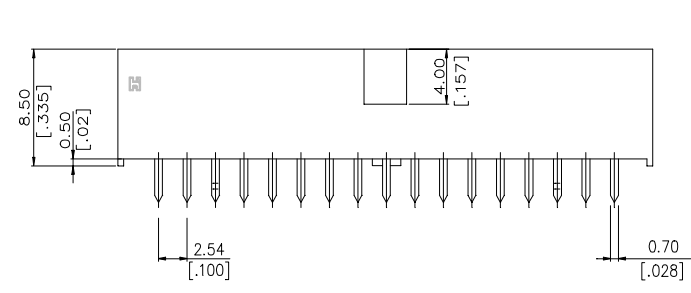
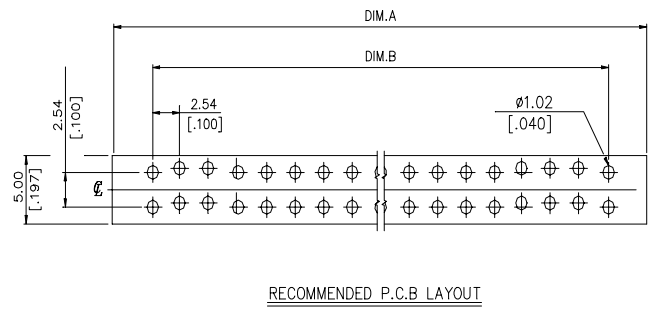
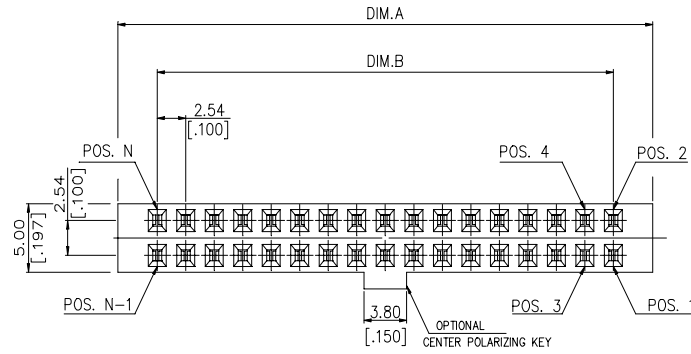
**Contact:** Copper alloy

**Plating:** See "ORDERING INFORMATION"

**Operating Temperature:** -40 to +105



**DRAWING**



**ORDERING INFORMATION**

**PRODUCT NO. : S L 22 \* \* \* - \* \* \* \* \***

- Socket Conn. \_\_\_\_\_
- Regular Solder Type \_\_\_\_\_
- Termination & Contact Type \_\_\_\_\_
- No. Of Single Row Pos. \_\_\_\_\_
- PLATING CODE \_\_\_\_\_
- 1 = Gold Flash On Contact Area
- 100u" MIN. Tin/Lead On Tail.
- 7 = 15u" MIN. Gold On Contact Area
- 100u" MIN. Tin/Lead On Tail.
- F = Gold Flash On Contact Area
- 100u" MIN. Tin On Tail With Rohs Compliance.
- V = 15u" MIN. Gold On Contact Area
- 100u" MIN. Tin On Tail With Rohs Compliance.
- Tail Length(See Attachment.) \_\_\_\_\_
- Dim C \_\_\_\_\_
- NONE:STANDARD
- P: CENTER POLARIZING KEY
- P4: PIN #5 OMITTED AND PLUGGED
- D2: PIN #20 OMITTED AND PLUGGED
- NONE:BLACK COLOR
- W:IVORY COLOR
- NONE:NO KINKED
- K:THE 5TH, 6TH, (N-4)&(N-5) PINS ARE KINKED

See Attachment



SL2220*	20/40	55.27 [2.176]	48.26 [1.900]
SL2217*	17/34	47.65 [1.876]	40.64 [1.600]
SL2215*	15/30	42.57 [1.676]	35.56 [1.400]
SL2205*	05/10	17.17 [0.676]	10.16 [0.400]
PART NO.	NO. OF POS.	DIM. A	DIM. B

PROD. No.	SL22***-□□□□□	SL22***-□□□□□ B
TAIL LENGTH	DIM.C	DIM.C
NONE KINK	2.67	3.43
WITH KINK	2.45	3.21