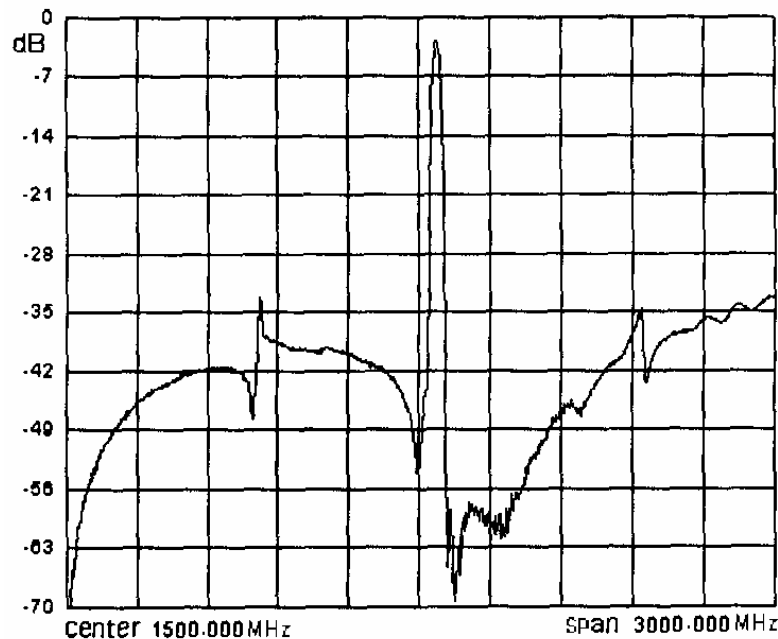
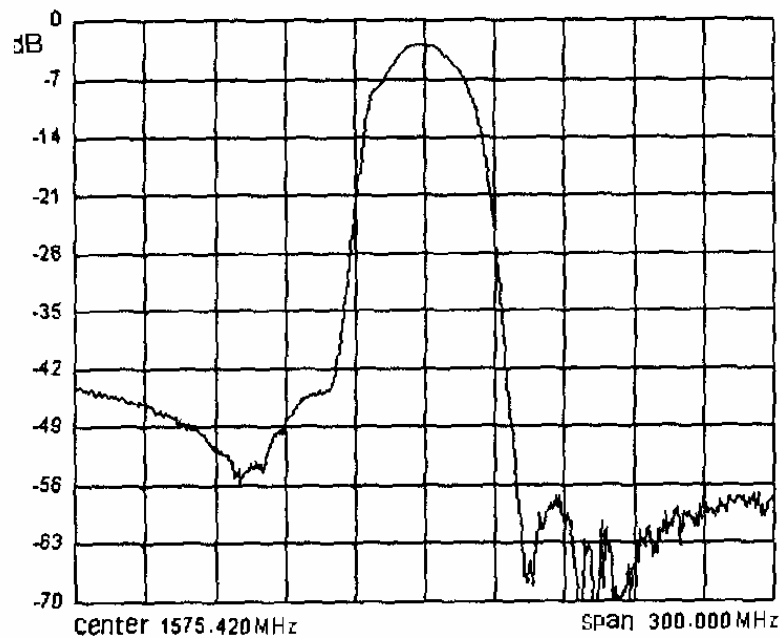




DESCRIPTION

- Miniature 1575 MHz SAW bandpass filter used as RF filter in GPS applications.
- 3 x 3 mm ceramic LCC package.
- RoHS compliant.

TYPICAL PERFORMANCE





SPECIFICATION

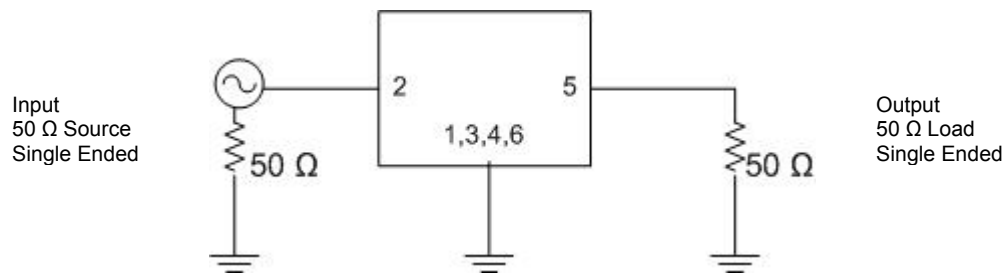
Parameter	Min	Typ	Max	Units
Center Frequency F_C	-	1575.42	-	MHz
Bandwidth	2.4		-	MHz
Insertion Loss ¹	-	1.3	1.8	dB
Passband Amplitude Ripple ¹	-	0.7	1.0	dB
Stopband Rejection ² , 0 to 1450 MHz	40	44	-	dB
Stopband Rejection ² , 1450 to 1500 MHz	30	35	-	dB
Stopband Rejection ² , 1625 to 1640 MHz	30	35	-	dB
Stopband Rejection ² , 1640 to 2000 MHz	45	48	-	dB
Stopband Rejection ² , 2000 to 3000 MHz	30	35	-	dB
Terminating Impedance		50		Ω // 0nF

Notes: 1. Within passband: 1574.22 to 1576.62 MHz
2. Rejection relative to insertion loss

MAXIMUM RATINGS

Parameter	Min	Max	Units
Storage Temperature Range	-40	+85	°C
Operating Temperature Range	-40	+85	°C
Input Power Level	-	+10	dBm
D.C. Voltage Between Each Terminal	-	10	V

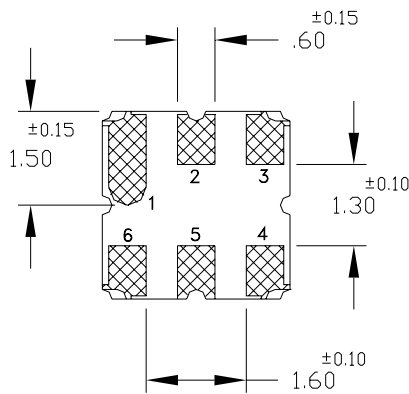
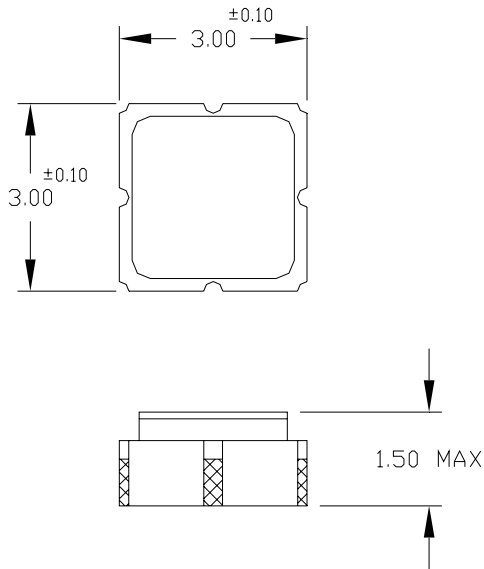
MATCHING CIRCUIT



Notes:

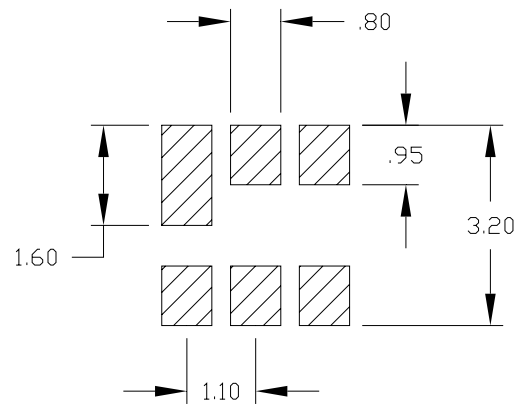
1. Matching components are not required.

PACKAGE OUTLINE



Package Material:
 Body: Al_2O_3 ceramic
 Lid: Kovar, Ni plated
 Terminations: Au plating 1 μ m min,
 over a 1.3-8.9 μ m Ni plating

SUGGESTED FOOTPRINT



Units: mm

Tolerances are typically ± 0.15 mm
 except where indicated.

Pad Configuration:

Input: 2
 Output: 5
 Ground: 1,3,4,6

ISO 9001
 Registered

All specifications are believed to be accurate and reliable. However, MNC reserves the right to make changes without notice.
 © 2006 All rights reserved.