

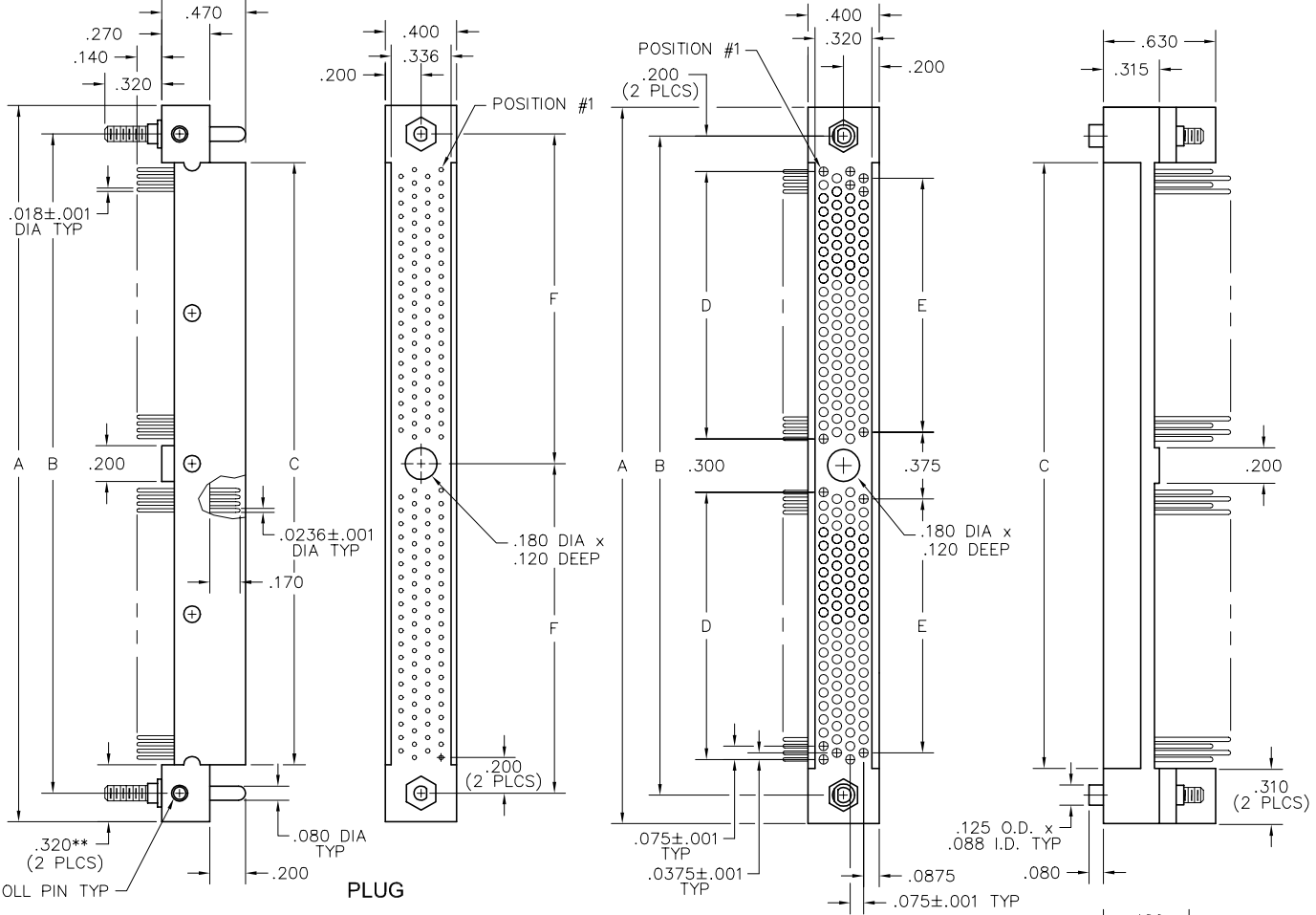
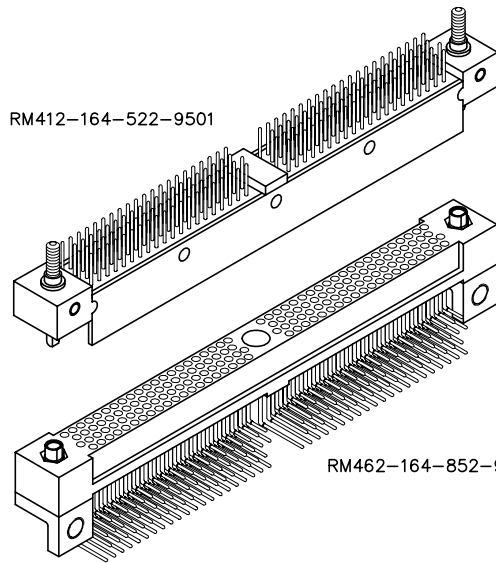
# 4 • ROW

## Motherboard or Chassis to Daughterboard

.075"

**RM4**

86 thru 404 Contacts



SIZE	DIMENSIONS		C		D	E	F
	A	B	PLUG	RCPT			
86*	2.295	1.975	1.655	1.675	1.575	1.500	—
110*	2.745	2.425	2.105	2.125	2.025	1.950	—
164	4.020	3.700	3.380	3.400	1.500	1.425	1.850
196	4.620	4.300	3.980	4.000	1.800	1.725	2.150
204	4.770	4.450	4.130	4.150	1.875	1.800	2.225
220	5.070	4.750	4.430	4.450	2.025	1.950	2.375
250*	5.370	5.050	4.730	4.750	4.650	4.575	—
276	6.120	5.800	5.480	5.500	2.550	2.475	2.900
300	6.570	6.250	5.930	5.950	2.775	2.700	3.125
404	8.520	8.200	7.880	7.900	3.750	3.675	4.100

**NOTES:**  
 \* = Single section, no center mounting hole  
 \*\* = .280" for 86 position

**PLUG:** RM412-164-522-9501  
**RECEPTACLE:** RM462-164-852-9601  
 XXXXX-XXX-XXX-XXXX

**PLUG**

**RECEPTACLE**

SERIES	
RM .075" Screw Machine PC Connector	RM .075" Screw Machine PC Connector

BODY	
4 4-Row	4 4-Row
<b>BODY STYLE:</b> 1 Plug, straight, with mounting ears	<b>BODY STYLE:</b> 6 Receptacle, right angle, with mounting ears
<b>BODY MATERIAL:</b> 2 Polyphenylene sulfide (PPS)	<b>BODY MATERIAL:</b> 2 Polyphenylene sulfide (PPS)

SIZE	
086, 110, 164, 196, 204, 220, 250, 276, 300, 404	086, 110, 164, 196, 204, 220, 250, 276, 300, 404

CONTACTS	
<b>TYPE CONTACTS/TERMINATIONS:</b> 17 Pin, straight, solder cup 40 Pin, straight, flex .093" x .017" dia 51 Pin, straight, dip solder, .109" x .018" dia 52 Pin, straight, dip solder, .140" x .018" dia 53 Pin, straight, dip solder, .172" x .018" dia	<b>TYPE CONTACTS/TERMINATIONS:</b> 84 Socket, right angle, dip solder, .109" x .019" dia 85 Socket, right angle, dip solder, .140" x .019" dia 86 Socket, right angle, dip solder, .172" x .019" dia
<b>PLATING OPTIONS:</b> 1 Gold plated termination 2 Pre-tinned termination (except solder cup)	<b>PLATING OPTIONS:</b> 1 Gold plated termination 2 Pre-tinned termination

HARDWARE	
<b>STYLE OF HARDWARE:</b> 0256 None 90 Guide pins, full round, installed 92 Hex turning jackset, #4-40 thread 93 Fixed jackset, #4-40 thread 95 Guide pins, polarized, unassembled, #2-56 x .320" thread 9501 - 9536 Guide pins, installed, #2-56 x .320" thread 99 Guide pins, universal	<b>STYLE OF HARDWARE:</b> 0256 None 91 Guide sockets, full round, installed 92 Hex turning jackset, #4-40 thread 93 Fixed jackset, #4-40 thread 96 Guide sockets, polarized, unassembled, #2-56 x .320" thread 9601 - 9636 Guide sockets, polarized, installed 97 Guide sockets, polarized, unassembled, #2-56 x .247" thread 9701 - 9736 Guide sockets, polarized, installed 98 Guide sockets, universal, #2-56 x .247" thread  Note: Includes mounting bracket when right angle contacts are supplied
<b>POLARIZATION:</b> 00 None 01 thru 36 are special identifiers, see page R-57	<b>POLARIZATION:</b> 00 None 01 thru 36 are special identifiers, see page R-57

# 4 • ROW

## Right Angle PTH Plug

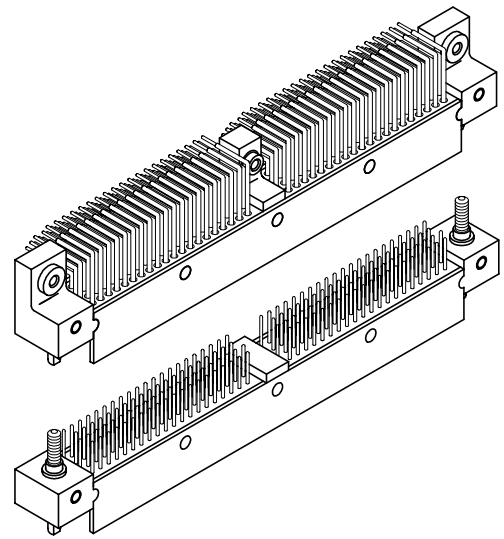
## Straight PTH Plug

.075"

**RM4**

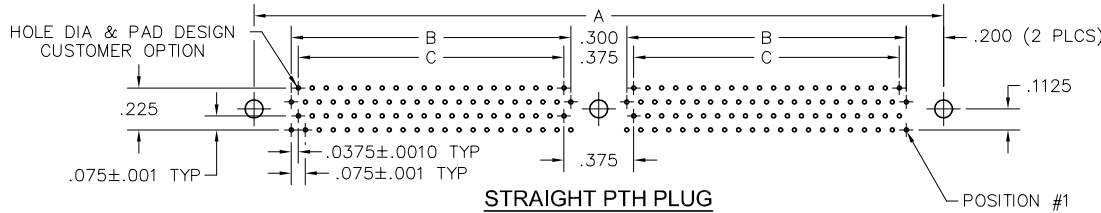
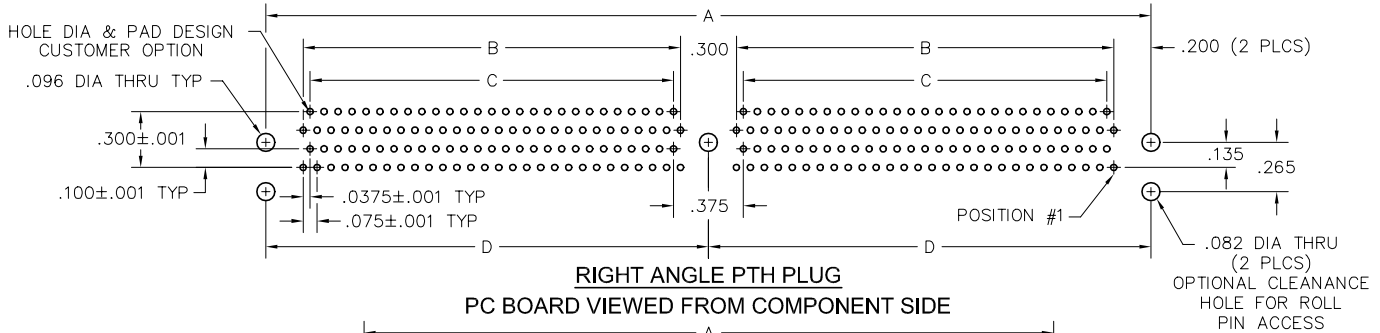
86 thru 404 Contacts  
Recommended  
Board Layout

DIMENSIONS				
SIZE	A	B	C	D
86*	1.975	1.575	1.500	—
110*	2.425	2.025	1.950	—
164	3.700	1.500	1.425	1.850
196	4.300	1.800	1.725	2.150
204	4.450	1.875	1.800	2.225
220	4.750	2.025	1.950	2.375
250*	5.050	4.650	4.575	—
276	5.800	2.550	2.475	2.900
300	6.250	2.775	2.700	3.125
404	8.200	3.750	3.675	4.100

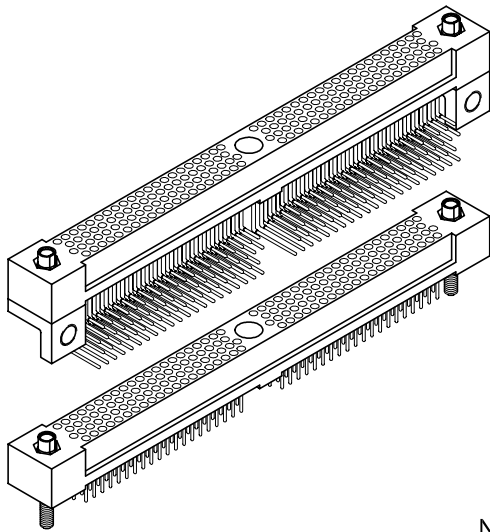


NOTES:

\* = Single section, no center mounting hole



SIZE	CONTACT ID	SIZE	CONTACT ID
86*	86 85 84 65 64 63 43 42 41 22 21 20 68 67 66 46 45 44 25 24 23 3 2 1	220	220 219 218 166 165 164 110 109 108 56 55 54 196 195 194 141 140 139 86 85 84 31 30 29 193 192 191 138 137 136 83 82 81 28 27 26 169 168 167 113 112 111 59 58 57 3 2 1
	110 109 108 83 82 81 55 54 53 28 27 26 86 85 84 58 57 56 31 30 29 3 2 1		250* 250 249 248 187 186 185 125 124 123 62 61 60 190 189 188 128 127 126 65 64 63 3 2 1
164	164 163 162 124 123 122 82 81 80 42 41 40 147 146 145 106 105 104 65 64 63 24 23 22 144 143 142 103 102 101 62 61 60 21 20 19 127 126 125 85 84 83 45 44 43 3 2 1	276	276 275 274 208 207 206 138 137 136 70 69 68 245 244 243 176 175 174 107 106 105 38 37 36 242 241 240 173 172 171 104 103 102 35 34 33 211 210 209 141 140 139 73 72 71 3 2 1
	196 195 194 148 147 146 98 97 96 50 49 48 175 174 173 126 125 124 77 76 75 28 27 26 172 171 170 123 122 121 74 73 72 25 24 23 151 150 149 101 100 99 53 52 51 3 2 1		300 300 299 298 226 225 224 150 149 148 76 75 74 266 265 264 191 190 189 116 115 114 41 40 39 263 262 261 188 187 186 113 112 111 38 37 36 229 228 227 153 152 151 79 78 77 3 2 1
204	204 203 202 154 153 152 102 101 100 52 51 50 182 181 180 131 130 129 80 79 78 29 28 27 179 178 177 128 127 126 77 76 75 26 25 24 157 156 155 105 104 103 55 54 53 3 2 1	404	404 403 399 404 402 400 201 199 197 202 200 198 509 507 505 508 506 504 107 105 103 106 104 102 502 500 298 503 501 299 100 98 96 101 99 97 208 206 204 207 205 203 6 4 2 5 3 1



DIMENSIONS			
SIZE	A	B	C
86*	1.975	1.575	1.500
110*	2.425	2.025	1.950
164	3.700	1.500	1.425
196	4.300	1.800	1.725
204	4.450	1.875	1.800
220	4.750	2.025	1.950
250*	5.050	4.650	4.575
276	5.800	2.550	2.475
300	6.250	2.775	2.700
404	8.200	3.750	3.675

# 4 • ROW

## Right Angle PTH Rcpt

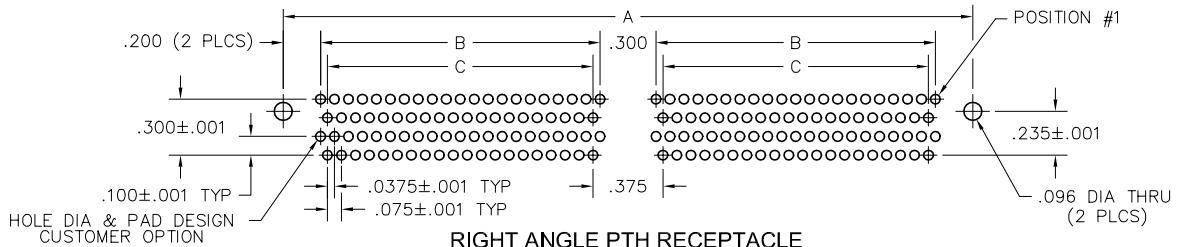
## Straight PTH Rcpt

.075"

**RM4**

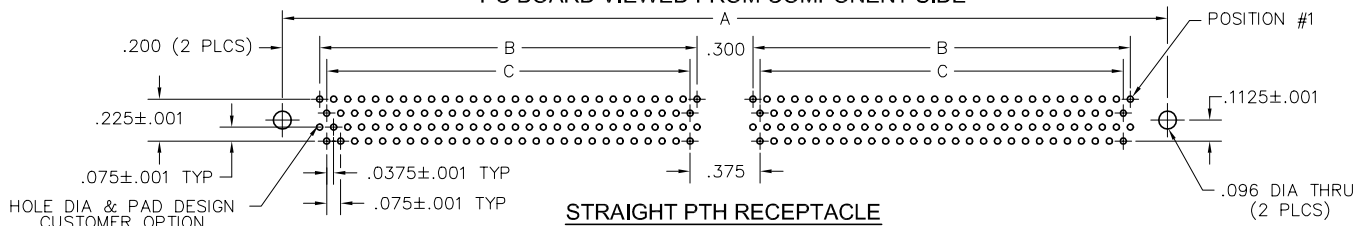
86 thru 404 Contacts  
Recommended  
Board Layout

NOTES:  
\* = Single section, no center mounting hole



**RIGHT ANGLE PTH RECEPTACLE**

PC BOARD VIEWED FROM COMPONENT SIDE



**STRAIGHT PTH RECEPTACLE**

PC BOARD VIEWED FROM COMPONENT SIDE

SIZE	CONTACT ID	SIZE	CONTACT ID																																																																																																
86*	<table border="0"> <tr><td>22</td><td>21</td><td>20</td><td>3</td><td>2</td><td>1</td></tr> <tr><td>43</td><td>42</td><td>41</td><td>25</td><td>24</td><td>23</td></tr> <tr><td>65</td><td>64</td><td>63</td><td>46</td><td>45</td><td>44</td></tr> <tr><td>86</td><td>85</td><td>84</td><td>68</td><td>67</td><td>66</td></tr> </table>	22	21	20	3	2	1	43	42	41	25	24	23	65	64	63	46	45	44	86	85	84	68	67	66	220	<table border="0"> <tr><td>56</td><td>55</td><td>54</td><td>31</td><td>30</td><td>29</td><td>28</td><td>27</td><td>26</td><td>3</td><td>2</td><td>1</td></tr> <tr><td>110</td><td>109</td><td>108</td><td>86</td><td>85</td><td>84</td><td>83</td><td>82</td><td>81</td><td>59</td><td>58</td><td>57</td></tr> <tr><td>166</td><td>165</td><td>164</td><td>141</td><td>140</td><td>139</td><td>138</td><td>137</td><td>136</td><td>113</td><td>112</td><td>111</td></tr> <tr><td>220</td><td>219</td><td>218</td><td>196</td><td>195</td><td>194</td><td>193</td><td>192</td><td>191</td><td>169</td><td>168</td><td>167</td></tr> </table>	56	55	54	31	30	29	28	27	26	3	2	1	110	109	108	86	85	84	83	82	81	59	58	57	166	165	164	141	140	139	138	137	136	113	112	111	220	219	218	196	195	194	193	192	191	169	168	167																								
	22	21	20	3	2	1																																																																																													
43	42	41	25	24	23																																																																																														
65	64	63	46	45	44																																																																																														
86	85	84	68	67	66																																																																																														
56	55	54	31	30	29	28	27	26	3	2	1																																																																																								
110	109	108	86	85	84	83	82	81	59	58	57																																																																																								
166	165	164	141	140	139	138	137	136	113	112	111																																																																																								
220	219	218	196	195	194	193	192	191	169	168	167																																																																																								
110*	<table border="0"> <tr><td>28</td><td>27</td><td>26</td><td>3</td><td>2</td><td>1</td></tr> <tr><td>55</td><td>54</td><td>53</td><td>31</td><td>30</td><td>29</td></tr> <tr><td>83</td><td>82</td><td>81</td><td>58</td><td>57</td><td>56</td></tr> <tr><td>110</td><td>109</td><td>108</td><td>86</td><td>85</td><td>84</td></tr> </table>	28	27	26	3	2	1	55	54	53	31	30	29	83	82	81	58	57	56	110	109	108	86	85	84	250*	<table border="0"> <tr><td>62</td><td>61</td><td>60</td><td>3</td><td>2</td><td>1</td></tr> <tr><td>125</td><td>124</td><td>123</td><td>65</td><td>64</td><td>63</td></tr> <tr><td>187</td><td>186</td><td>185</td><td>128</td><td>127</td><td>126</td></tr> <tr><td>250</td><td>249</td><td>248</td><td>190</td><td>189</td><td>188</td></tr> </table>	62	61	60	3	2	1	125	124	123	65	64	63	187	186	185	128	127	126	250	249	248	190	189	188																																																
	28	27	26	3	2	1																																																																																													
55	54	53	31	30	29																																																																																														
83	82	81	58	57	56																																																																																														
110	109	108	86	85	84																																																																																														
62	61	60	3	2	1																																																																																														
125	124	123	65	64	63																																																																																														
187	186	185	128	127	126																																																																																														
250	249	248	190	189	188																																																																																														
164	<table border="0"> <tr><td>42</td><td>41</td><td>40</td><td>24</td><td>23</td><td>22</td><td>21</td><td>20</td><td>19</td><td>3</td><td>2</td><td>1</td></tr> <tr><td>82</td><td>81</td><td>80</td><td>65</td><td>64</td><td>63</td><td>62</td><td>61</td><td>60</td><td>45</td><td>44</td><td>43</td></tr> <tr><td>124</td><td>123</td><td>122</td><td>106</td><td>105</td><td>104</td><td>103</td><td>102</td><td>101</td><td>85</td><td>84</td><td>83</td></tr> <tr><td>164</td><td>163</td><td>162</td><td>147</td><td>146</td><td>145</td><td>144</td><td>143</td><td>142</td><td>127</td><td>126</td><td>125</td></tr> </table>	42	41	40	24	23	22	21	20	19	3	2	1	82	81	80	65	64	63	62	61	60	45	44	43	124	123	122	106	105	104	103	102	101	85	84	83	164	163	162	147	146	145	144	143	142	127	126	125	276	<table border="0"> <tr><td>70</td><td>69</td><td>68</td><td>38</td><td>37</td><td>36</td><td>35</td><td>34</td><td>33</td><td>3</td><td>2</td><td>1</td></tr> <tr><td>138</td><td>137</td><td>136</td><td>107</td><td>106</td><td>105</td><td>104</td><td>103</td><td>102</td><td>73</td><td>72</td><td>71</td></tr> <tr><td>208</td><td>207</td><td>206</td><td>176</td><td>175</td><td>174</td><td>173</td><td>172</td><td>171</td><td>141</td><td>140</td><td>139</td></tr> <tr><td>276</td><td>275</td><td>274</td><td>245</td><td>244</td><td>243</td><td>242</td><td>241</td><td>240</td><td>211</td><td>210</td><td>209</td></tr> </table>	70	69	68	38	37	36	35	34	33	3	2	1	138	137	136	107	106	105	104	103	102	73	72	71	208	207	206	176	175	174	173	172	171	141	140	139	276	275	274	245	244	243	242	241	240	211	210	209
	42	41	40	24	23	22	21	20	19	3	2	1																																																																																							
82	81	80	65	64	63	62	61	60	45	44	43																																																																																								
124	123	122	106	105	104	103	102	101	85	84	83																																																																																								
164	163	162	147	146	145	144	143	142	127	126	125																																																																																								
70	69	68	38	37	36	35	34	33	3	2	1																																																																																								
138	137	136	107	106	105	104	103	102	73	72	71																																																																																								
208	207	206	176	175	174	173	172	171	141	140	139																																																																																								
276	275	274	245	244	243	242	241	240	211	210	209																																																																																								
196	<table border="0"> <tr><td>50</td><td>49</td><td>48</td><td>28</td><td>27</td><td>26</td><td>25</td><td>24</td><td>23</td><td>3</td><td>2</td><td>1</td></tr> <tr><td>98</td><td>97</td><td>96</td><td>77</td><td>76</td><td>75</td><td>74</td><td>73</td><td>72</td><td>53</td><td>52</td><td>51</td></tr> <tr><td>148</td><td>147</td><td>146</td><td>126</td><td>125</td><td>124</td><td>123</td><td>122</td><td>121</td><td>101</td><td>100</td><td>99</td></tr> <tr><td>196</td><td>195</td><td>194</td><td>175</td><td>174</td><td>173</td><td>172</td><td>171</td><td>170</td><td>151</td><td>150</td><td>149</td></tr> </table>	50	49	48	28	27	26	25	24	23	3	2	1	98	97	96	77	76	75	74	73	72	53	52	51	148	147	146	126	125	124	123	122	121	101	100	99	196	195	194	175	174	173	172	171	170	151	150	149	300	<table border="0"> <tr><td>76</td><td>75</td><td>74</td><td>41</td><td>40</td><td>39</td><td>38</td><td>37</td><td>36</td><td>3</td><td>2</td><td>1</td></tr> <tr><td>150</td><td>149</td><td>148</td><td>116</td><td>115</td><td>114</td><td>113</td><td>112</td><td>111</td><td>79</td><td>78</td><td>77</td></tr> <tr><td>226</td><td>225</td><td>224</td><td>191</td><td>190</td><td>189</td><td>188</td><td>187</td><td>186</td><td>153</td><td>152</td><td>151</td></tr> <tr><td>300</td><td>299</td><td>298</td><td>266</td><td>265</td><td>264</td><td>263</td><td>262</td><td>261</td><td>229</td><td>228</td><td>227</td></tr> </table>	76	75	74	41	40	39	38	37	36	3	2	1	150	149	148	116	115	114	113	112	111	79	78	77	226	225	224	191	190	189	188	187	186	153	152	151	300	299	298	266	265	264	263	262	261	229	228	227
	50	49	48	28	27	26	25	24	23	3	2	1																																																																																							
98	97	96	77	76	75	74	73	72	53	52	51																																																																																								
148	147	146	126	125	124	123	122	121	101	100	99																																																																																								
196	195	194	175	174	173	172	171	170	151	150	149																																																																																								
76	75	74	41	40	39	38	37	36	3	2	1																																																																																								
150	149	148	116	115	114	113	112	111	79	78	77																																																																																								
226	225	224	191	190	189	188	187	186	153	152	151																																																																																								
300	299	298	266	265	264	263	262	261	229	228	227																																																																																								
204	<table border="0"> <tr><td>52</td><td>51</td><td>50</td><td>29</td><td>28</td><td>27</td><td>26</td><td>25</td><td>24</td><td>3</td><td>2</td><td>1</td></tr> <tr><td>102</td><td>101</td><td>100</td><td>80</td><td>79</td><td>78</td><td>77</td><td>76</td><td>75</td><td>55</td><td>54</td><td>53</td></tr> <tr><td>154</td><td>153</td><td>152</td><td>131</td><td>130</td><td>129</td><td>128</td><td>127</td><td>126</td><td>105</td><td>104</td><td>103</td></tr> <tr><td>204</td><td>203</td><td>202</td><td>182</td><td>181</td><td>180</td><td>179</td><td>178</td><td>177</td><td>157</td><td>156</td><td>155</td></tr> </table>	52	51	50	29	28	27	26	25	24	3	2	1	102	101	100	80	79	78	77	76	75	55	54	53	154	153	152	131	130	129	128	127	126	105	104	103	204	203	202	182	181	180	179	178	177	157	156	155	404	<table border="0"> <tr><td>202</td><td>200</td><td>198</td><td>106</td><td>104</td><td>102</td><td>101</td><td>99</td><td>97</td><td>5</td><td>3</td><td>1</td></tr> <tr><td>201</td><td>199</td><td>197</td><td>107</td><td>105</td><td>103</td><td>100</td><td>98</td><td>96</td><td>6</td><td>4</td><td>2</td></tr> <tr><td>404</td><td>402</td><td>400</td><td>308</td><td>306</td><td>304</td><td>303</td><td>301</td><td>299</td><td>207</td><td>205</td><td>203</td></tr> <tr><td>403</td><td>401</td><td>399</td><td>309</td><td>307</td><td>305</td><td>302</td><td>300</td><td>298</td><td>208</td><td>206</td><td>204</td></tr> </table>	202	200	198	106	104	102	101	99	97	5	3	1	201	199	197	107	105	103	100	98	96	6	4	2	404	402	400	308	306	304	303	301	299	207	205	203	403	401	399	309	307	305	302	300	298	208	206	204
	52	51	50	29	28	27	26	25	24	3	2	1																																																																																							
102	101	100	80	79	78	77	76	75	55	54	53																																																																																								
154	153	152	131	130	129	128	127	126	105	104	103																																																																																								
204	203	202	182	181	180	179	178	177	157	156	155																																																																																								
202	200	198	106	104	102	101	99	97	5	3	1																																																																																								
201	199	197	107	105	103	100	98	96	6	4	2																																																																																								
404	402	400	308	306	304	303	301	299	207	205	203																																																																																								
403	401	399	309	307	305	302	300	298	208	206	204																																																																																								