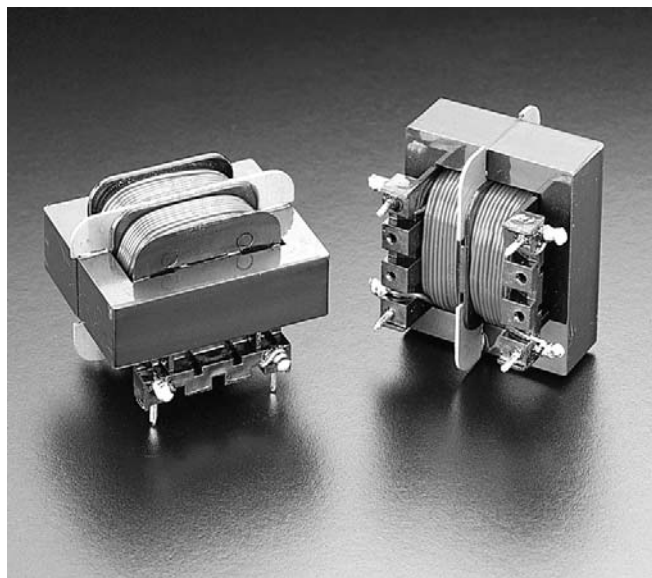


# Combination Line Filter Choke Common and Differential Mode



This product is not RoHS-compliant. Contact Coilcraft for current status or possible alternatives.

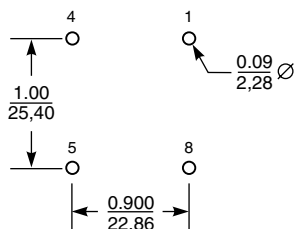
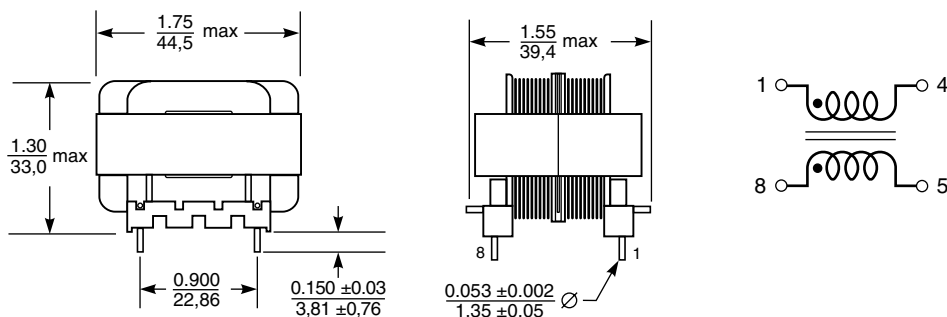
This series of chokes is intended for use in AC line filters for switching power supplies. They combine common and differential mode filtering in a single component.

By using these parts, designers can eliminate two extra filter chokes compared to a standard common mode choke. The unique combination of special windings and materials provides much better filtering performance than either a common mode choke or a single winding inductor alone.

The differential filtering frequency response has been designed to provide filtering at higher frequencies while still allowing the AC line power to pass through without loss. This characteristic is demonstrated in the graph of Differential Mode Attenuation.

Part number	Common mode L typ (mH)	Differential mode L typ (µH)	DCR max (Ohms)	Isolation (Vrms)	Current rating (A)
P3717-A	25.0	1000	0.30	1500	3
Q4007-A	4.5	150	0.06	1500	5
Q4018-A	1.5	35	0.02	1500	10

1. Operating temperature range -40° to +85°C.
2. Electrical specifications at 25°C.



**Recommended PC Board Layout**

**Weight:** 100 – 113 g  
**Packaging:** 30 per tray

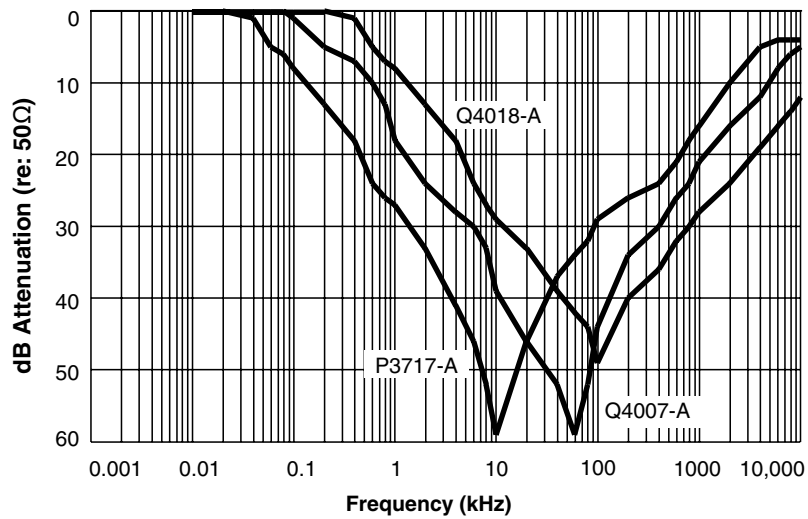


Specifications subject to change without notice. Please check our website for latest information.

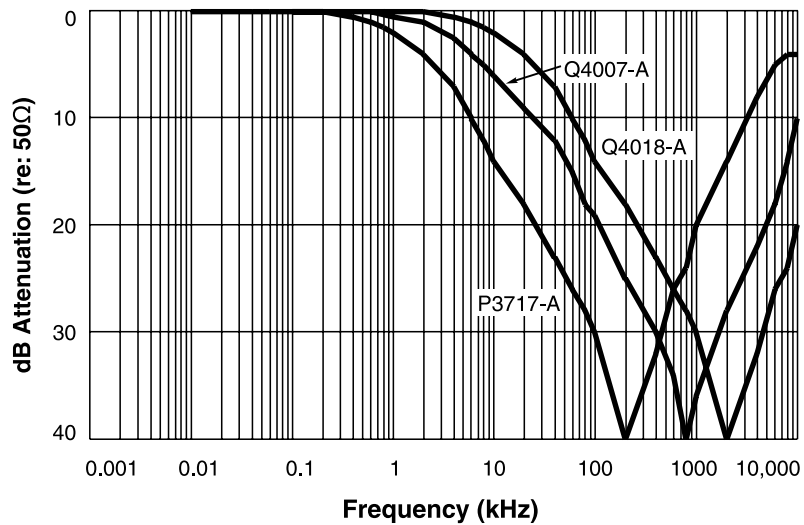
Document 144-1 Revised 05/08/09

# Combination Line Filter Choke

## Common Mode Attenuation Typical Response



## Differential Mode Attenuation Typical Response



Specifications subject to change without notice.  
Please check our website for latest information.

Document 144-2 Revised 05/08/09

1102 Silver Lake Road Cary, Illinois 60013 Phone 847/639-6400 Fax 847/639-1469

E-mail [info@coilcraft.com](mailto:info@coilcraft.com) Web <http://www.coilcraft.com>