

Customer Information Sheet

DRAWING No.: D01-962XXXX

SHEET 2 OF 2

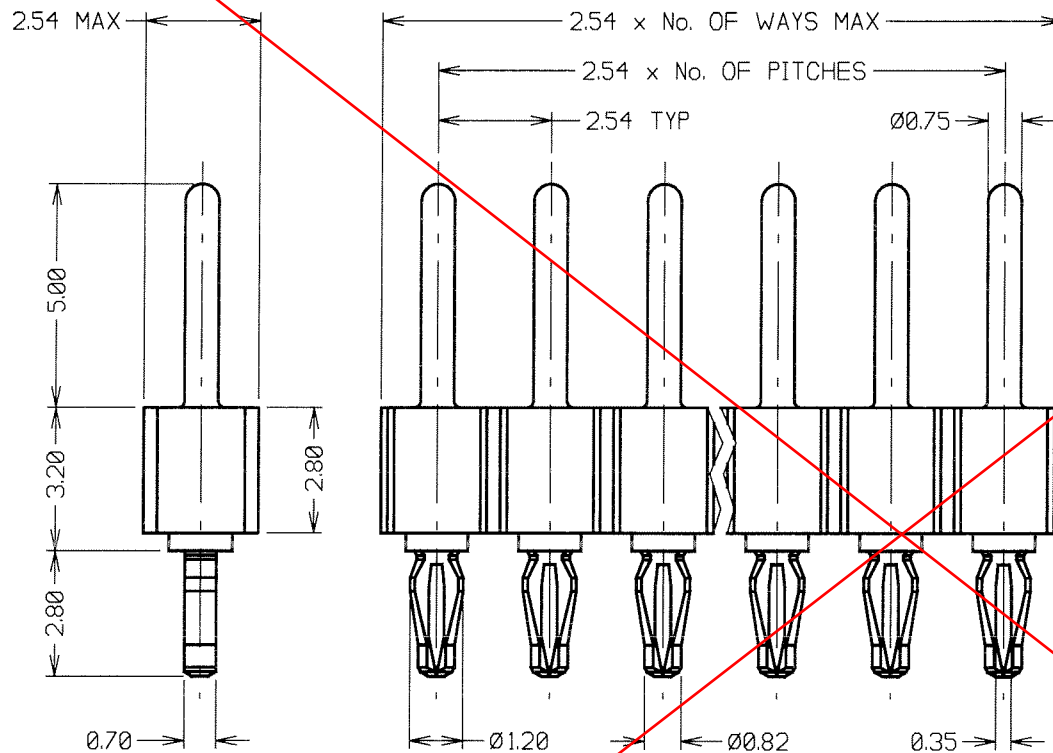
IF IN DOUBT - ASK

©

NOT TO SCALE

THIRD ANGLE PROJECTION

ALL DIMENSIONS IN mm



SPECIFICATIONS:

MATERIALS:

MOULDING = GLASS-FILLED POLYESTER,
BLACK, UL94V-0

CONTACTS = BRONZE

FINISH:

Ø1 = 5µ 90/10 TIN/LEAD OVER 2-3µ NICKEL

Ø5 = 0.25µ GOLD OVER 2-3µ NICKEL

ELECTRICAL:

CURRENT RATING (PER CONTACT) = 1 AMP MAX

VOLTAGE RATING = 100V AC, 150V DC MAX

CONTACT RESISTANCE = 10 MILLIOHMS MAX

INSULATION RESISTANCE = 10,000 MEGOHMS MIN
AT 500V AC

DIELECTRIC STRENGTH = 1,000V AC MIN

ENVIRONMENTAL:

TEMPERATURE RANGE = -55°C TO +125°C

MECHANICAL:

DURABILITY = 500 OPERATIONS

INSERTION FORCE IN PCB = 200N MAX

RETENTION FORCE IN PCB (INITIAL) = 25N MIN

RETENTION FORCE IN PCB AFTER 3 INSERTIONS
= 12.5N MIN

NOTES:

1. RECOMMENDED PLATED-THROUGH HOLE SIZE = Ø1.09-Ø1.14mm.

2. RECOMMENDED PC BOARD THICKNESS = 1.5 TO 2.0mm.

OBSOLETE

ORDER CODE:

D01-962XXXX

No. OF WAYS

Ø2 TO 64

FINISH

Ø1 - 90/10 TIN/LEAD

Ø5 - GOLD

1	15.08.00	----
ISS.	DATE	C/NOTE
APPROVED:		
CHECKED:		
DRAWN: W. J. BOURNE		
CUSTOMER REF.:		
ASSEMBLY DRG:		

HARWIN

THIS DRAWING AND ANY INFORMATION OR DESCRIPTIVE MATTER SET OUT HEREON ARE CONFIDENTIAL AND COPYRIGHT PROPERTY OF THE HARWIN GROUP AND MUST NOT BE DISCLOSED, LOANED, COPIED OR USED FOR MANUFACTURING, TENDERING OR FOR ANY OTHER PURPOSE WITHOUT THEIR WRITTEN PERMISSION.

TOLERANCES

X. = ±1mm
X.X = ±0.25mm
X.XX = ±0.10mm
X.XXX = ±0.01mm
ANGLES = ±1°

UNLESS STATED

MATERIAL:

SEE ABOVE

FINISH: SEE ABOVE

S/AREA: mm²

TITLE: 2.54mm PITCH SIL
VERTICAL PRESS-FIT PC TAIL
MALE ROUND PIN HEADER

DRAWING NUMBER:

D01-962XXXX

SHT
2 OF
2

HARWIN INC
U.S.A.

TEL: (812) 285 0055
FAX: (812) 285 0056

HARWIN PLC
UK.

TEL: 023 9237 0451
FAX: 023 9231 4590

HARWIN PTE
SINGAPORE

TEL: 65 7794909
FAX: 65 7793868