

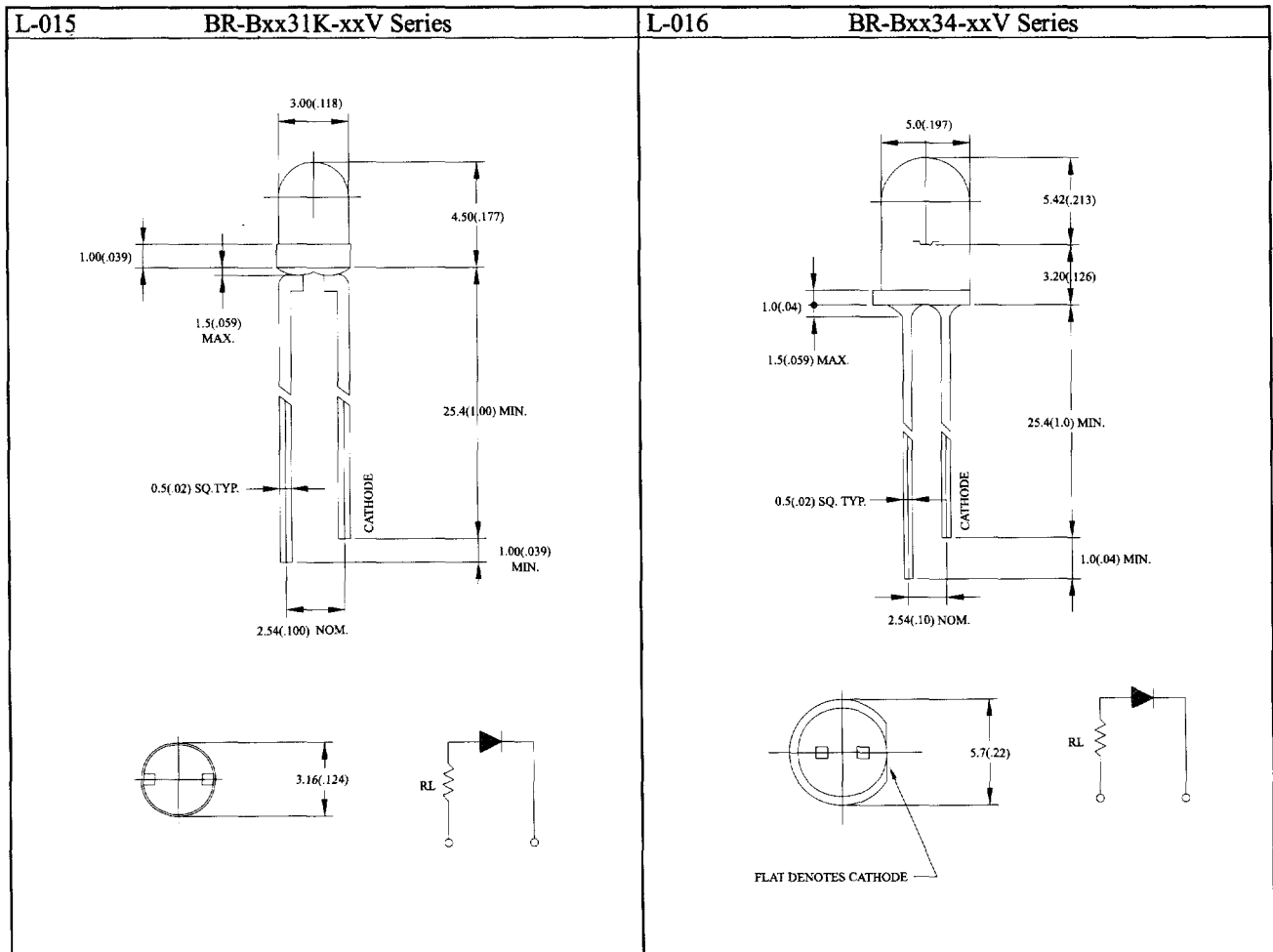


Resistor LED Lamp BR-B-05V, -12V, -15V Series

Round Types

Package	Part No.	Chip		Lens Appearance	Operating Voltage (V)		Forward Current (mA)		Luminous Intensity (mA)		Viewing Angle 2θ 1/2 (deg)	Drawing No.
		Material/Emitted Color	Peak Wave Length λ p (nm)		Typ.	Max.	Typ.	Max.	Min.	Typ.		
T-1 Profile 1.0" Lead 3 φ	BR-B5131K-05V	GaP/GaP/ Bright Red	700	Red Diffused	-	5	8	12	1.0	3.0	30	L-015
	BR-B4531K-05V	GaAsP/GaP/ Hi-Eff Red	635						4.0	12.0		
	BR-B6131K-05V	GaAlAs/ SH Super Red	660						7.0	22.0		
	BR-B2131K-12V	GaP/GaP/ Green	568	Green Diffused	-	12			4.0	12.0		
	BR-BX1131K-12V	GaP/GaP/ Hi-Eff Green	568						5.0	15.0		
	BR-B3131K-15V	GaAsP/GaP/ Yellow	585	Yellow Diffused	-	15			3.5	10.0		
	BR-B4131K-15V	GaAsP/GaP/ Orange	635	Orange Diffused					4.0	12.0		
T-13/4 Standard 1.0" Lead 5 φ	BR-B5134-05V	GaP/GaP/ Bright Red	700	Red Diffused	-	5	8	12	3.0	10.0	12	L-016
	BR-B4534-05V	GaAsP/GaP/ Hi-Eff Red	635						10.0	40.0		
	BR-B6134-05V	GaAlAs/ SH Super Red	660						20.0	60.0		
	BR-B2134-12V	GaP/GaP/ Green	568	Green Diffused	-	12			10.0	40.0		
	BR-BX1134-12V	GaP/GaP/ Hi-Eff Green	568						10.0	45.0		
	BR-B4534-15V	GaAsP/GaP/ Hi-Eff Red	635	Red Diffused	-	15			10.0	40.0		
	BR-B4134-15V	GaAsP/GaP/ Orange	635	Orange Diffused					10.0	40.0		

- Remark : 1. Hi-Eff Red / High-Efficiency Red.
 2. Trans / Transparent.
 3. 2 θ 1/2 The off-axis angle at which the luminous intensity is half the axial luminous intensity.



- Notes : 1. All Dimensions are millimeters (inches).
 2. Tolerance is ± 0.25mm (.010").