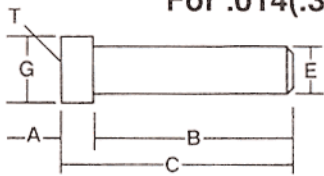


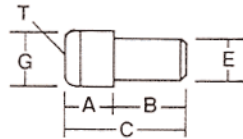


**EMC® Product "NIJ" Series**

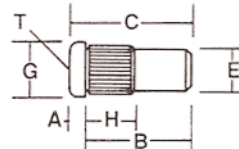
For .014(.36) Dia. Probes



**Figure 1**

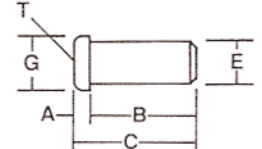


**Figure 2**



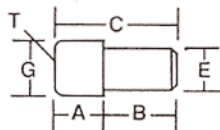
**Figure 3**

For .025(.64) Dia. Probes

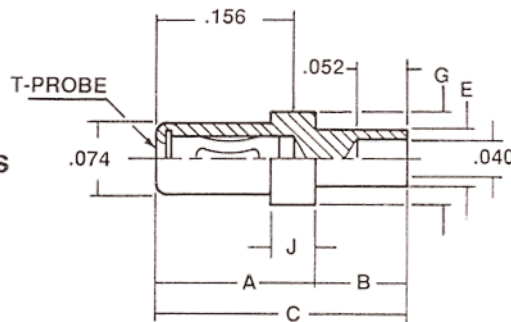


**Figure 4**

For .025(.64) Dia. Probes

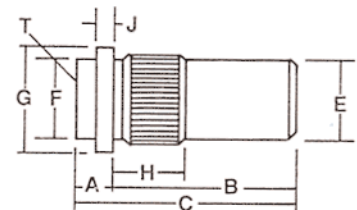


**Figure 5**



**Figure 6**

For .030(.76) Dia. Probes



**Figure 7**

Fig.	EMC Part #	A	B	C	E	F	G	H	J	Mtg. Hole	T-Probe
1	7695-400	.032 (.81)	.208 (5.28)	.240 (6.10)	.050 (1.27)	--	.063 (1.60)	--	--	.055 (1.40)	.014(.36) - .020(.51) x .197(5.00) deep.
1	7698-400	.032 (.81)	.208 (5.28)	.240 (6.10)	.050 (1.27)	--	.063 (1.60)	--	--	.055 (1.40)	.014(.36) - .020(.51) thru hole.
2	6770-400	.075 (1.91)	.112 (2.84)	.187 (4.75)	.057 (1.45)	--	.064 (1.63)	--	--	.061 (1.55)	.014(.36) - .020(.51) x .156(3.96) deep.
2	7688-400	.015 (.38)	.220 (5.59)	.230 (5.84)	.050 (1.27)	--	.057 (1.45)	--	--	.055 (1.40)	.014(.36) - .020(.51) x .207(5.26) deep.
2	3438-400	.080 (2.03)	.102 (2.59)	.182 (4.62)	.058 (1.47)	--	.080 (2.03)	--	--	.062 (1.57)	.025(.64) thru hole.
2	3434-400	.080 (2.03)	.102 (2.59)	.182 (4.62)	.058 (1.47)	--	.080 (2.03)	--	--	.062 (1.57)	.025(.64) x .130(3.30) deep.
2	5915-400	.142 (3.61)	.055 (1.40)	.197 (5.00)	.058 (1.47)	--	.080 (2.03)	--	--	.062 (1.57)	.025(.64) x .150(3.81) deep.
2	5916-400	.142 (3.61)	.055 (1.40)	.197 (5.00)	.058 (1.47)	--	.080 (2.03)	--	--	.062 (1.57)	.025(.64) thru hole.
3	8176-400	.020 (.51)	.138 (3.51)	.158 (4.01)	.053 (1.35)	--	.072 (1.83)	--	--	.056 (1.42)	.025(.64) x .141(3.58) deep.
4	7318-400	.031 (.79)	.140 (3.56)	.171 (4.34)	.053 (1.37)	--	.072 (1.83)	--	--	.056 (1.42)	.025(.64) x .141(3.58) deep.
4	6321-400	.035 (.89)	.235 (5.97)	.270 (6.86)	.068 (1.73)	--	.093 (2.36)	--	--	.076 (1.93)	.030(.76) - .032(.81) x .182(4.62) deep.
4	3426-400	.018 (.46)	.188 (4.78)	.206 (5.23)	.073 (1.85)	--	.090 (2.29)	--	--	.077 (1.96)	.030(.76) - .032(.81) x .190(4.83) deep.
5	5909-400	.080 (2.03)	.112 (2.84)	.192 (4.88)	.058 (1.47)	--	.080 (2.03)	--	--	.062 (1.57)	.025(.64) x .150(3.81) deep.
6	7752-400	.180 (4.57)	.094 (2.39)	.274 (6.96)	.058 (1.47)	--	.094 (2.39)	--	.045 (1.14)	.062 (1.57)	.025(.64) x .156(3.96) deep.
7	7701-400	.037 (.94)	.213 (5.41)	.250 (6.35)	.080 (2.03)	.090 (2.29)	.110 (2.79)	.070 (1.78)	.023 (.58)	.089 (2.26)	.030(.76) - .032(.81) x .185(4.70) deep.

inch  
(mm)

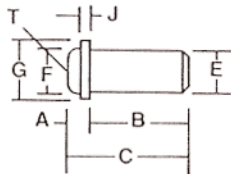
**Plating:**

- 400: 50µ" Gold contact, 20µ" Gold terminal
- 453: 150µ" Tin contact, 350µ" Tin terminal
- 454: 50µ" Gold contact, 350µ" Tin terminal

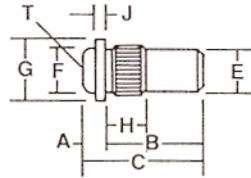


**EMC® Product "NIJ" Series**

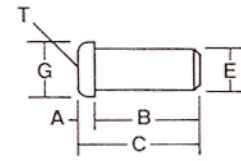
For .040(1.02) and .080(2.03) Dia. Probes



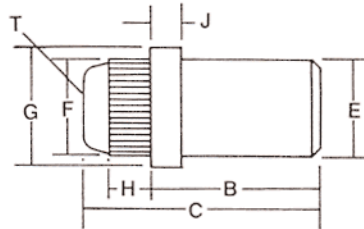
**Figure 8**



**Figure 9**



**Figure 10**



**Figure 11**

Fig.	EMC Part #	A	B	C	E	F	G	H	J	Mtg. Hole	T-Probe
8	5908-400	.036 (.91)	.200 (5.08)	.236 (5.99)	.085 (2.16)	.092 (2.34)	.125 (3.18)	--	.019 (.48)	.089 (2.26)	.040(1.02) x .190(4.83) deep
8	7280-400	.036 (.91)	.200 (5.08)	.236 (5.99)	.085 (2.16)	.092 (2.34)	.125 (3.18)	--	.020 (.51)	.089 (2.26)	.040(1.02) thru hole
8	3436-400	.080 (2.03)	.140 (3.56)	.236 (5.99)	.074 (1.88)	.092 (2.34)	.102 (2.59)	--	.030 (.76)	.076 (1.93)	.040(1.02) x .185(4.70) deep
8	7696-400	.157 (3.99)	.160 (4.06)	.317 (8.05)	.085 (2.16)	.091 (2.31)	.125 (3.18)	--	.032 (.81)	.089 (2.26)	.040(1.02) x .192(4.88) deep
8	6322-400	.094 (2.39)	.312 (7.92)	.406 (10.31)	.142 (3.61)	.142 (3.61)	.188 (4.78)	--	.047 (1.19)	.144 (3.66)	.080(2.03) x .333(8.46) deep
8	8273-400	.094 (2.39)	.312 (7.92)	.406 (10.31)	.142 (3.61)	.142 (3.61)	.188 (4.78)	--	.047 (1.19)	.144 (3.66)	.080(2.03) thru hole
9	8275-400	.080 (2.03)	.140 (3.56)	.220 (5.59)	.074 (1.88)	.092 (2.34)	.102 (2.59)	.052 (1.32)	.028 (.58)	.076 (1.93)	.040(1.02) x .185(4.70) deep
9	8681-400	.094 (2.39)	.312 (7.92)	.406 (10.31)	.142 (3.61)	.142 (3.61)	.188 (4.78)	--	.047 (1.19)	.144 (3.66)	.080(2.03) x .333(8.46) deep
9	8679-400	.094 (2.39)	.312 (7.92)	.406 (10.31)	.142 (3.61)	.142 (3.61)	.188 (4.78)	--	.047 (1.19)	.144 (3.66)	.080(2.03) thru hole
10	7319-400	.018 (.46)	.188 (4.78)	.206 (5.23)	.073 (1.85)	--	.090 (2.29)	--	--	.077 (1.96)	.040(1.02) x .190(4.83) deep
11	8290-400	--	.175 (4.45)	.230 (5.84)	.100 (2.54)	.102 (2.59)	.125 (3.18)	.040 (1.02)	--	.098 (2.49)	.040(1.02) x .198(4.88) deep

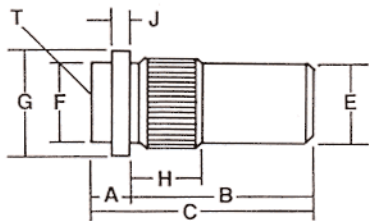
inch  
(mm)

**Plating:**

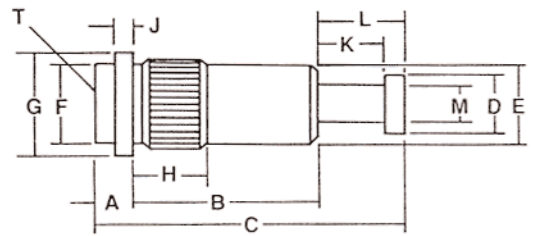
- 400: 50µ" Gold contact, 20µ" Gold terminal
- 453: 150µ" Tin contact, 350µ" Tin terminal
- 454: 50µ" Gold contact, 350µ" Tin terminal



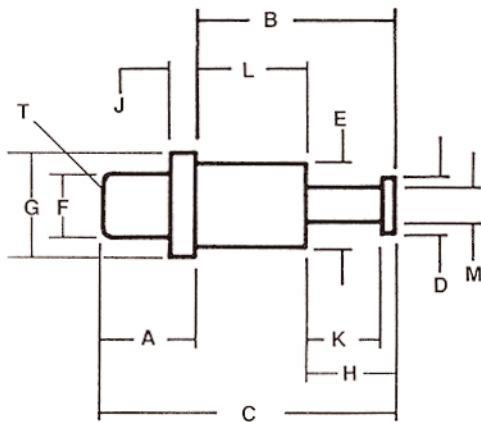
**EMC® Product "NIJ" Series**



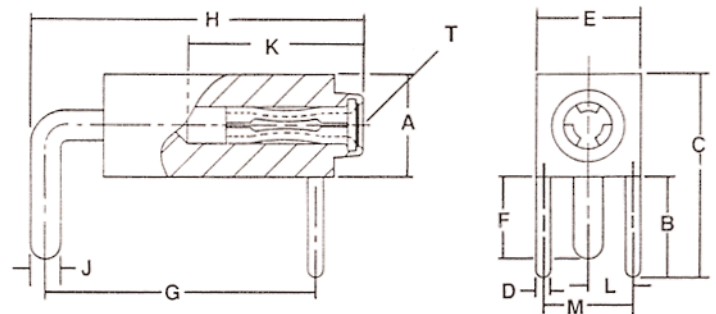
**Figure 12**



**Figure 13**



**Figure 14**



**Figure 15**

Fig.	EMC Part #	A	B	C	D	E	F	G	H	J	K	L	M	Mtg. Hole	T-Probe
12	7702-400	.037 (.94)	.213 (5.41)	.250 (6.35)	--	.080 (2.03)	.090 (2.29)	.110 (2.79)	.070 (1.78)	.023 (.58)	--	--	--	.089 (2.26)	.040(1.02) x .185(4.70) deep
13	7703-400	.040 (1.02)	.303 (7.70)	.343 (8.71)	.060 (1.52)	.082 (2.08)	.090 (2.29)	.110 (2.79)	.070 (1.78)	.021 (.53)	.083 (2.11)	.103 (2.62)	.040 (1.02)	.089 (2.26)	.040(1.02) x .185(4.70) deep
14	5910-400	.193 (4.90)	.162 (4.11)	.355 (9.02)	.062 (1.57)	.093 (2.36)	.094 (2.39)	.125 (3.18)	.100 (2.54)	.031 (.79)	.083 (2.11)	.062 (1.57)	.040 (1.02)	.096 (2.44)	.040(1.02) x .183(4.65) deep
14	5911-400	.193 (4.90)	.194 (4.93)	.387 (9.83)	.062 (1.57)	.093 (2.36)	.094 (2.39)	.125 (3.18)	.100 (2.54)	.031 (.79)	.083 (2.11)	.094 (2.39)	.040 (1.02)	.096 (2.44)	.040(1.02) x .183(4.65) deep
14	5912-400	.193 (4.90)	.225 (5.72)	.418 (10.62)	.062 (1.57)	.093 (2.36)	.094 (2.39)	.125 (3.18)	.100 (2.54)	.031 (.79)	.083 (2.11)	.125 (3.18)	.040 (1.02)	.096 (2.44)	.040(1.02) x .183(4.65) deep
14	5913-400	.193 (4.90)	.256 (6.50)	.449 (11.40)	.062 (1.57)	.093 (2.36)	.094 (2.39)	.125 (3.18)	.100 (2.54)	.031 (.79)	.083 (2.11)	.156 (3.96)	.040 (1.02)	.096 (2.44)	.040(1.02) x .183(4.65) deep
14	5914-400	.193 (4.90)	.319 (8.10)	.512 (13.00)	.062 (1.57)	.093 (2.36)	.094 (2.39)	.125 (3.18)	.100 (2.54)	.031 (.79)	.083 (2.11)	.219 (5.56)	.040 (1.02)	.096 (2.44)	.040(1.02) x .183(4.65) deep
15	6533-400	.125 (3.18)	.125 (3.18)	.250 (6.35)	.024 (.61)	.125 (3.18)	.100 (2.54)	.300 (7.62)	.416 (10.57)	.040 (1.02)	.207 (5.26)	.050 (1.27)	--	.047 (1.19)	.040(1.02) x .207(5.26) deep

inch  
(mm)

**Plating:**

-400: 50µ" Gold contact, 20µ" Gold terminal

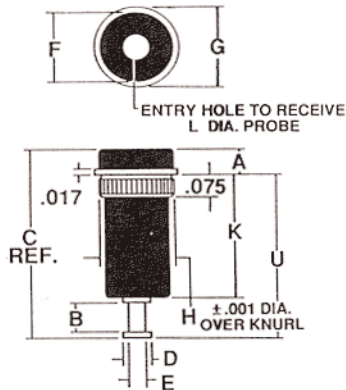
-453: 150µ" Tin contact, 350µ" Tin terminal

-454: 50µ" Gold contact, 350µ" Tin terminal

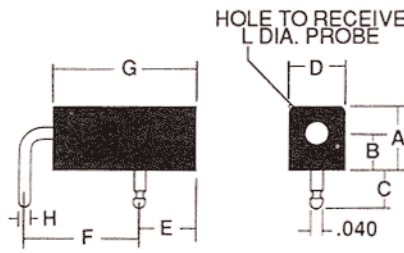




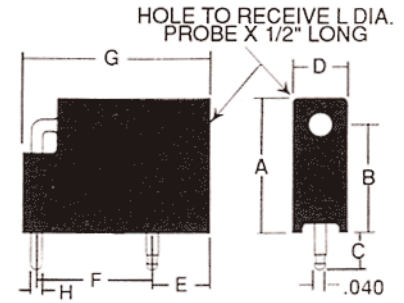
**EMC® Product "MTJ" Series**



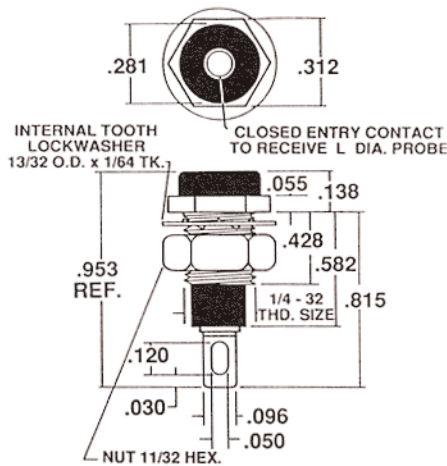
**Type 78**



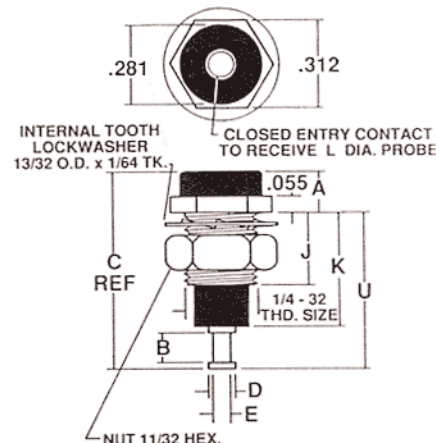
**Type 77**



**Type 104**



**Type 86**



**Type 85**

Type	EMC Part #	Flash-over volt.	A	B	C	D	E	F	G	H	J	K	L	U	Mtg. Hole	Mtg. Tool
78	4928-113-0	3000	.098 (2.49)	.078 (1.98)	.413 (10.49)	.079 (2.01)	.040 (1.02)	.177 (4.50)	.216 (5.49)	.176 (4.47)	.075 (1.91)	.197 (5.00)	.040 (1.02)	.320 (8.13)	.172 (4.37)	4644
78	3150-113-0	3000	.093 (2.49)	.105 (2.67)	.667 (16.94)	.093 (2.49)	.060 (1.52)	.250 (6.35)	.281 (7.14)	.254 (6.45)	.075 (1.91)	.434 (11.02)	.080 (2.03)	.574 (14.58)	.250 (6.35)	4062
78	4962-113-0	4000	.156 (3.96)	.050 (1.27)	.556 (14.12)	.093 (2.49)	.075 (1.91)	.250 (6.35)	.281 (7.14)	.254 (6.45)	.075 (1.91)	.323 (8.20)	.080 (2.03)	.400 (10.16)	.250 (6.35)	4062
78	6365-232-0	2500	.156 (3.96)	.105 (2.67)	.619 (15.72)	.093 (2.49)	.060 (1.52)	.250 (6.35)	.281 (7.14)	.254 (6.45)	.075 (1.91)	.323 (8.20)	.080 (2.03)	.463 (11.76)	.250 (6.35)	4062
85	4242-422-0	3000	.138 (3.51)	.130 (3.30)	.953 (24.21)	.100 (2.54)	.070 (1.91)	.281 (7.14)	.312 (7.92)	.250-32	.428 (10.87)	.641 (16.28)	.080 (2.03)	.815 (20.70)	.257 (6.53)	--
85	4274-422-0	2500	.138 (3.51)	.105 (2.67)	.688 (17.68)	.093 (2.49)	.060 (1.52)	.281 (7.14)	.312 (7.92)	.250-32	.250 (6.35)	.405 (10.29)	.080 (2.03)	.549 (13.94)	.257 (6.53)	--
85	4876-422-0	5000	.250 (6.35)	.130 (3.30)	.953 (24.21)	.100 (2.54)	.070 (1.91)	.281 (7.14)	.312 (7.92)	.250-32	.250 (6.35)	.529 (13.44)	.080 (2.03)	.703 (17.86)	.257 (6.53)	--
85	6291-422-0	5000	.250 (6.35)	.130 (3.30)	.131 (3.33)	.100 (2.54)	.078 (1.98)	.281 (7.14)	.312 (7.92)	.250-32	.428 (10.87)	.705 (17.91)	.080 (2.03)	.881 (22.36)	.257 (6.53)	--
86	4653-422-0	3000	.138 (3.51)	.120 (3.05)	.984 (24.99)	.100 (2.54)	.050 (1.27)	.281 (7.14)	.312 (7.92)	.250-32	.428 (10.87)	.641 (16.28)	.080 (2.03)	.846 (21.49)	.257 (6.53)	--
86	4825-422-0	2500	.138 (3.51)	.120 (3.05)	.734 (18.87)	.100 (2.54)	.050 (1.27)	.281 (7.14)	.312 (7.92)	.250-32	.250 (6.35)	.405 (10.29)	.080 (2.03)	.596 (15.14)	.257 (6.53)	--
77	4879-125-0	--	.230 (5.84)	.130 (3.30)	.130 (3.30)	.190 (4.83)	.200 (5.08)	.400 (10.16)	.531 (13.49)	.040 (1.02)	--	--	.080 (2.03)	--	.045 (1.14)	--
104	5173-125-0	--	.467 (11.86)	.375 (9.53)	.130 (3.30)	.190 (4.83)	.200 (5.08)	.400 (10.16)	.656 (16.66)	.040 (1.02)	--	--	.080 (2.03)	--	.045 (1.14)	--

inch  
(mm)



**EMC® Product "MTJ" Series**

**MIL/EMC Cross Reference**

M39024/1-01	M4242-166-9	M4242-198-9	M39024/5-01	M3150-169-9	M3150-114-9
02	2	2	02	2	2
03	0	0	03	0	0
04	1	1	04	1	1
05	5	5	05	5	5
06	3	3	06	3	3
07	6	3	07	6	6
08	4	4	08	4	4
09	8	8	09	8	8
10	7	7	10	7	7
M39024/1-11	M4274-166-9	M4274-198-9	M39024/5-11	M4928-169-9	M4928-114-9
12	2	2	12	2	2
13	0	0	13	0	0
14	1	1	14	1	1
15	5	5	15	5	5
16	3	3	16	3	3
17	6	6	17	6	6
18	4	4	18	4	4
19	8	8	19	8	8
20	7	7	20	7	7
M39024/1-21	M4653-166-9	M4653-198-9	M39024/5-21	M4962-169-9	M4962-114-9
22	2	2	22	2	2
23	0	0	23	0	0
24	1	1	24	1	1
25	5	5	25	5	5
26	3	3	26	3	3
27	6	6	27	6	6
28	4	4	28	4	4
29	8	8	29	8	8
30	7	7	30	7	7
M39024/1-31	M4825-166-9	M4825-198-9			
32	2	2			
33	0	0			
34	1	1			
35	5	5			
36	3	3			
37	6	6			
38	4	4			
39	8	8			
40	7	7			
M39024/2-01	M4876-166-9	M4876-198-9			
02	2	2			
03	0	0			
04	1	1			
05	5	5			
06	3	3			
07	6	6			
08	4	4			
09	8	8			
10	7	7			
M39024/3-01	M4879-143-9	M4879-190-9			
02	2	2			
03	0	0			
04	1	1			
05	5	5			
06	3	3			
07	6	6			
08	4	4			
09	8	8			
10	7	7			
M39024-3-11	M5173-143-9	M5173-190-9			
12	2	2			
13	0	0			
14	1	1			
15	5	5			
16	3	3			
17	6	6			
18	4	4			
19	8	8			
20	7	7			

**Plating:**

- 86: 50μ" gold terminal, 50μ" gold contact; 200μ" nickel threaded sleeve, nut and lockwasher
- 113: 400μ" tin terminal, 30μ" gold contact; 200μ" nickel threaded sleeve or eyelet
- 114: 50μ" gold terminal, 50μ" gold contact; 200μ" nickel threaded sleeve or eyelet
- 125: 400μ" tin terminal, 30μ" gold contact; 400μ" tin mounting tab
- 143: 400μ" tin terminal, 50μ" gold contact; 400μ" tin mounting tab
- 166: 400μ" tin terminal, 50μ" gold contact; 200μ" nickel threaded sleeve, nut and lockwasher (phosphor bronze)
- 169: 400μ" tin terminal, 50μ" gold contact; 200μ" nickel mounting
- 190: 50μ" gold terminal, 50μ" gold contact; 50μ" gold mounting tab
- 198: 50μ" gold terminal, 50μ" gold contact; 200μ" nickel threaded sleeve, nut and lockwasher (phosphor bronze)
- 232: 20μ" gold terminal, 20μ" gold contact; 200μ" nickel eyelet

**Material:**

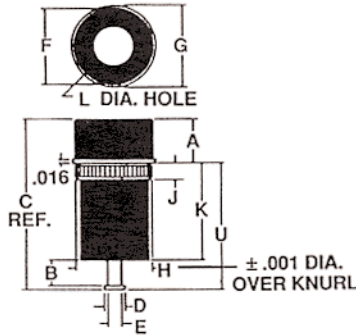
Terminal: Brass, 1/2-hard, QQ-B-626  
 Contact: Beryllium Copper, QQ-C-533  
 Mounting: Brass, 1/2-hard, QQ-B-626 or Phosphor Bronze, QQ-B-750  
 Insulator: Diallyl Phthalate, MIL-M-14F Type SDG

Two plating combinations are given for each cross reference; both of which are acceptable.

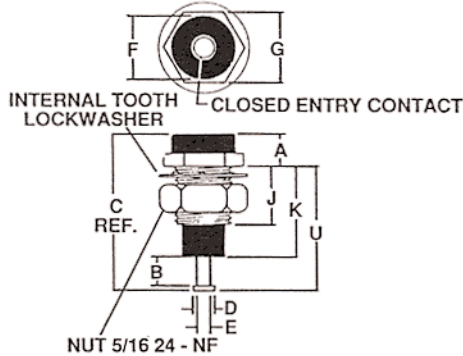




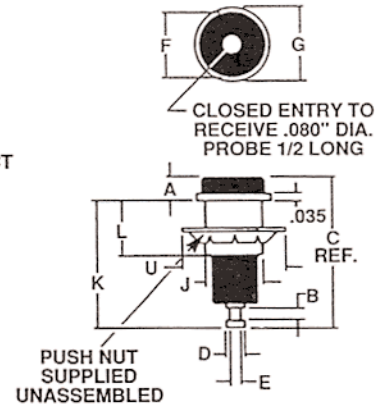
**EMC® Product "BTJ" Series**



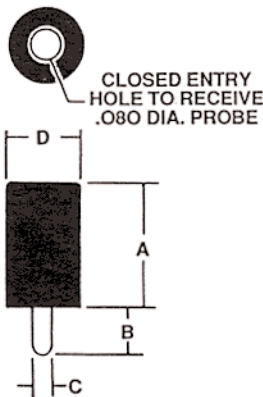
**Type 76**  
(Nurl-Loc Banana Jack)



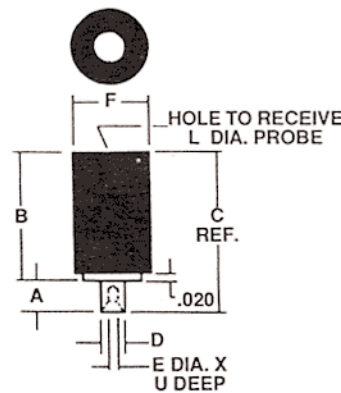
**Type 401**  
(Banana)



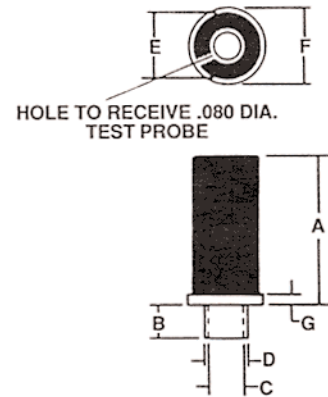
**Type 158**  
(Fast-On)



**Type 88**  
(Solder)



**Type 122**  
(Rivet)



**Type 87**  
(Rivet)

Type	EMC Part #	Flash-over volt.	A	B	C	D	E	F	G	H	J	K	L	U	Mtg. Hole Dia.	Mtg. Tool	
76	4836-165-0	5000	.207 (5.26)	.120 (3.05)	.813 (20.65)	.093 (2.36)	.060 (1.52)	.340 (8.64)	.375 (9.53)	.347 (8.81)	.075 (1.91)	.465 (11.81)	.165 (4.19)	.605 (15.37)	.343 (8.71)	4833	
401	6704-267-0	3000	.242 (6.15)	.121 (3.07)	1.006 (25.55)	.093 (2.36)	.060 (1.52)	.340 (8.64)	.375 (9.53)	24-NF	.438 (11.13)	.625 (15.88)	.165 (4.19)	.764 (19.41)	.328 (8.33)	--	
158	6220-215-0	3000	.118 (3.00)	.105 (2.67)	.688 (17.48)	.093 (2.36)	.060 (1.52)	.281 (7.14)	.312 (7.92)	--	.250 (6.35)	.563 (14.30)	.312 (7.92)	.531 (13.49)	.265 (6.73)	4882	
88	5075-139-0	--	.325 (8.26)	.120 (3.05)	.048 (1.22)	.195 (4.95)	--	--	--	--	--	--	--	--	.056 (1.42)	--	.062 PCB (1.57)
88	5351-139-0	--	.325 (8.26)	.180 (4.57)	.048 (1.22)	.195 (4.95)	--	--	--	--	--	--	--	--	.056 (1.42)	--	.125 PCB (3.18)
122	5419-139-0	--	.080 (2.03)	.345 (8.76)	.425 (10.80)	.066 (1.68)	.032 (.81)	.185 (4.70)	--	--	--	--	.080 (2.03)	.081 (2.06)	.070 (1.78)	--	.062 PCB (1.57)
87	4349-137-0	--	.500 (12.70)	.109 (2.77)	.116 (2.95)	.145 (3.68)	.218 (5.54)	.250 (6.35)	.040 (1.02)	--	--	--	--	--	.149 (3.78)	--	.062 PCB (1.57)

**Plating:**

- 137: 400µ" tin terminal, 15µ" gold contact
- 139: 400µ" tin terminal, 200µ" silver contact
- 165: 150µ" tin terminal, 200µ" cadmium chromate mounting
- 215: 400µ" tin terminal, 200µ" silver contact; 200µ" cadmium chromate mounting
- 267: 300µ" cadmium chromate terminal, 200µ" nickel threaded sleeve, nut and lockwasher

**Material:**

- Terminal: Brass, 1/2-hard, QQ-B-626
- Contact: Beryllium Copper, QQ-C-533
- Mounting: Brass, 1/2-hard, QQ-B-626
- Insulator: Diallyl Phthalate, MIL-M-14F Type SDG



EMC Part #	Page	EMC Part #	Page	EMC Part #	Page	EMC Part#	Page
2003	39	2333	35	2577	36	2684	42
2009	39	2338	34	2578	36	2685	42
2013	35	2344	34	2579	36	2686	24
2014	20	2358	24	2580	32	2687	24
2019	35	2368	47	2581	32	2688	23
2020	20	2376	29	2582	32	2689	23
2034	44	2385	29	2583	32	2690	23
2037	34	2396	35	2584	32	2691	24
2039	34	2402	34	2585	32	2692	24
2045	34	2403	34	2587	32	2693	23
2046	20	2415	32	2588	30	2694	23
2047	34	2416	32	2589	30	2695	23
2048	20	2417	33	2589	32	2696	26
2049	29	2418	33	2590	30	2697	26
2050	23	2444	29	2591	30	2698	26
2055	29	2453	21	2592	30	2699	25
2056	23	2457	24	2593	30	2700	25
2076	43	2458	20	2594	30	2701	25
2082	43	2459	24	2597	34	2702	26
2085	32	2462	24	2598	27	2703	26
2086	22	2463	24	2600	24	2704	26
2088	42	2482	47	2604	23	2705	25
2091	33	2483	47	2605	23	2706	25
2092	22	2486	46	2606	25	2707	25
2094	43	2497	27	2607	26	2708	22
2106	42	2503	20	2610	25	2709	21
2109	31	2518	24	2611	25	2710	22
2100	21	2522	29	2612	25	2711	22
2111	31	2526	53	2613	25	2712	21
2112	21	2538	45	2614	22	2713	21
2117	30	2539	45	2615	22	2715	20
2118	21	2545	36	2616	22	2718	29
2119	30	2546	36	2617	22	2719	29
2120	21	2548	36	2618	22	2720	28
2150	29	2550	36	2619	22	2721	28
2151	24	2551	36	2620	21	2722	27
2153	45	2552	33	2621	21	2723	37
2162	29	2554	32	2622	21	2724	37
2168	28	2555	33	2623	23	2726	36
2169	23	2556	33	2624	21	2727	36
2174	35	2557	33	2625	21	2728	36
2175	20	2558	31	2633	41	2729	33
2177	44	2559	31	2636	41	2733	40
2178	39	2560	30	2658	39	2734	40
2180	35	2561	30	2659	39	2735	40
2181	20	2562	31	2668	45	2736	40
2185	33	2563	31	2674	43	2737	41
2197	33	2565	29	2675	43	2738	41
2304	44	2567	28	2676	43	2739	41
2305	44	2569	29	2677	43	2740	41
2307	44	2570	28	2678	43	2762	39
2308	44	2571	28	2679	43	2764	53
2310	35	2572	37	2680	42	2767	53
2318	34	2575	37	2681	42	2772	27
2321	34	2576	36	2682	42	2778	50



EMC Part #	Page	EMC Part#	Page	EMC Part#	Page	EMC Part#	Page
2781 . . . . .	27	3034 . . . . .	52	3344 . . . . .	44	4302 . . . . .	26
2792 . . . . .	51	3037 . . . . .	44	3348 . . . . .	45	4338 . . . . .	57
2798 . . . . .	54	3039 . . . . .	37	3369 . . . . .	21	4340 . . . . .	18
2803 . . . . .	54	3040 . . . . .	34	3371 . . . . .	26	4342 . . . . .	46
2806 . . . . .	54	3041 . . . . .	35	3390 . . . . .	37	4349 . . . . .	17
2809 . . . . .	54	3044 . . . . .	35	3408 . . . . .	11	4351 . . . . .	39
2812 . . . . .	54	3045 . . . . .	48	3409 . . . . .	11	4361 . . . . .	27
2819 . . . . .	49	3046 . . . . .	48	3410 . . . . .	18	4363 . . . . .	58
2820 . . . . .	37	3077 . . . . .	46	3415 . . . . .	11	4388 . . . . .	53
2839 . . . . .	44	3082 . . . . .	18	3417 . . . . .	11	4392 . . . . .	56
2840 . . . . .	44	3092 . . . . .	28	3426 . . . . .	12	4408 . . . . .	5
2854 . . . . .	40	3096 . . . . .	45	3431 . . . . .	50	4419 . . . . .	50
2855 . . . . .	40	3097 . . . . .	18	3434 . . . . .	12	4420 . . . . .	51
2858 . . . . .	34	3103 . . . . .	34	3436 . . . . .	13	4479 . . . . .	18
2871 . . . . .	44	3104 . . . . .	28	3438 . . . . .	12	4485 . . . . .	55
2873-1 . . . . .	5	3109 . . . . .	24	4007 . . . . .	58	4487 . . . . .	18
2873-2 . . . . .	5	3110 . . . . .	24	4024 . . . . .	28	4521 . . . . .	37
2873-3 . . . . .	5	3113 . . . . .	29	4025 . . . . .	33	4536 . . . . .	18
2873-4 . . . . .	5	3115 . . . . .	29	4026 . . . . .	30	4547 . . . . .	18
2873-5 . . . . .	5	3116 . . . . .	31	4031 . . . . .	54	4551 . . . . .	33
2873-6 . . . . .	5	3133 . . . . .	11	4047 . . . . .	58	4552 . . . . .	33
2873-8 . . . . .	5	3137 . . . . .	40	4050 . . . . .	24	4556 . . . . .	5
2883 . . . . .	35	3141 . . . . .	40	4058 . . . . .	40	4564 . . . . .	28
2894 . . . . .	18	3142 . . . . .	40	4062 . . . . .	5	4565 . . . . .	23
2899 . . . . .	24	3150 . . . . .	15	4063 . . . . .	11	4566 . . . . .	23
2902 . . . . .	29	3230 . . . . .	46	4064 . . . . .	35	4589 . . . . .	54
2911 . . . . .	27	3237 . . . . .	35	4066 . . . . .	52	4602 . . . . .	39
2912 . . . . .	27	3238 . . . . .	35	4073 . . . . .	20	4604 . . . . .	39
2915 . . . . .	54	3239 . . . . .	34	4077 . . . . .	35	4606 . . . . .	39
2918 . . . . .	51	3240 . . . . .	34	4080 . . . . .	37	4616 . . . . .	50
2925 . . . . .	18	3241 . . . . .	35	4089 . . . . .	44	4624 . . . . .	5
2926 . . . . .	18	3242 . . . . .	20	4094 . . . . .	57	4632 . . . . .	27
2927 . . . . .	18	3243 . . . . .	20	4096 . . . . .	48	4635 . . . . .	19
2930 . . . . .	18	3244 . . . . .	28	4104 . . . . .	50	4639 . . . . .	53
2938 . . . . .	38	3245 . . . . .	28	4111 . . . . .	51	4644 . . . . .	5
2939 . . . . .	38	3246 . . . . .	23	4114 . . . . .	51	4645 . . . . .	5
2940 . . . . .	38	3247 . . . . .	23	4126 . . . . .	5	4653 . . . . .	15
2945 . . . . .	57	3249 . . . . .	28	4126-1 . . . . .	5	4658 . . . . .	18
2948 . . . . .	27	3250 . . . . .	28	4127 . . . . .	5	4665 . . . . .	5
2962 . . . . .	38	3251 . . . . .	28	4127-1 . . . . .	5	4666 . . . . .	18
2984 . . . . .	29	3252 . . . . .	28	4130 . . . . .	50	4677 . . . . .	28
2985 . . . . .	40	3253 . . . . .	28	4156 . . . . .	54	4678 . . . . .	23
2986 . . . . .	40	3254 . . . . .	28	4174 . . . . .	55	4680 . . . . .	31
2989 . . . . .	48	3320 . . . . .	46	4179 . . . . .	56	4681 . . . . .	31
2990 . . . . .	48	3321 . . . . .	46	4187 . . . . .	26	4682 . . . . .	31
2994 . . . . .	44	3322 . . . . .	46	4193 . . . . .	18	4684 . . . . .	31
2996 . . . . .	19	3324 . . . . .	46	4216 . . . . .	57	4685 . . . . .	31
2999 . . . . .	51	3325 . . . . .	47	4242 . . . . .	15	4693 . . . . .	32
3005 . . . . .	50	3328 . . . . .	47	4243 . . . . .	24	4696 . . . . .	33
3009 . . . . .	18	3329 . . . . .	47	4247 . . . . .	51	4700 . . . . .	31
3022 . . . . .	44	3330 . . . . .	47	4249 . . . . .	27	4701 . . . . .	31
3023 . . . . .	44	3331 . . . . .	47	4250 . . . . .	51	4711 . . . . .	42
3025 . . . . .	34	3337 . . . . .	38	4266 . . . . .	50	4712 . . . . .	42
3026 . . . . .	23	3340 . . . . .	44	4268 . . . . .	51	4713 . . . . .	42
3029 . . . . .	35	3343 . . . . .	44	4274 . . . . .	15	4714 . . . . .	42





EMC Part#	Page	EMC Part#	Page	EMC Part#	Page	EMC Part#	Page
4715	42	5089	11	5517	8	5665	33
4716	42	5119	56	5518	8	5666	32
4717	42	5128	51	5519	8	5667	32
4718	42	5129	50	5520	8	5669	32
4719	42	5130	29	5521	8	5670	32
4720	40	5141	54	5522	8	5671	32
4724	43	5144	27	5523	8	5672	30
4725	43	5147	18	5524	8	5673	30
4726	43	5173	15	5525	8	5674	30
4727	43	5235	51	5526	8	5675	30
4728	43	5236	51	5527	9	5676	31
4729	43	5240	5	5528	9	5677	30
4730	42	5247	57	5529	9	5678	30
4731	43	5248	57	5530	9	5679	30
4732	43	5277	57	5531	9	5684	35
4733	22	5291	50	5532	9	5685	35
4734	22	5302	35	5533	9	5686	34
4735	22	5342	45	5534	9	5687	34
4738	23	5348	51	5535	10	5688	35
4785	5	5351	17	5536	10	5689	35
4786	27	5360	55	5537	10	5690	34
4790	27	5373	10	5538	10	5691	34
4792	11	5389	50	5553	11	5694	26
4793	11	5419	17	5558	5	5698	25
4794	11	5428	55	5569	5	5699	25
4795	5	5446	49	5570	5	5700	25
4801	56	5488	6	5583	54	5701	25
4802	56	5489	6	5626	36	5702	26
4805	52	5490	6	5627	37	5704	26
4806	52	5491	6	5628	36	5714	22
4807	56	5492	6	5629	36	5715	22
4808	56	5493	6	5630	36	5716	22
4812	52	5494	6	5632	36	5717	22
4825	15	5495	6	5633	36	5718	22
4830	49	5496	6	5634	37	5719	22
4831	50	5497	6	5635	37	5720	22
4836	17	5498	6	5636	37	5721	22
4843	51	5499	6	5637	37	5722	21
4856	50	5500	7	5638	36	5723	21
4857	50	5501	7	5639	36	5724	21
4876	15	5502	7	5640	36	5725	21
4878	27	5503	7	5641	36	5726	21
4879	15	5504	7	5651	33	5727	21
4922	37	5505	7	5653	33	5728	21
4928	15	5506	7	5654	33	5729	21
4942	50	5507	7	5655	33	5732	21
4943	18	5508	7	5656	30	5733	21
4944	5	5509	7	5657	31	5734	22
4962	15	5510	7	5658	30	5735	22
4977	55	5511	7	5659	31	5736	21
4999	44	5512	8	5660	30	5737	22
5047	18	5513	8	5661	31	5738	20
5049	5	5514	8	5662	31	5739	20
5053	27	5515	8	5663	31	5740	20
5075	17	5516	8	5664	32	5741	20



EMC Part#	Page	EMC Part#	Page	EMC Part#	Page	EMC Part#	Page
5743	20	5793	42	6065	39	7280	13
5745	20	5794	44	6066	39	7318	12
5747	35	5796	44	6148	5	7319	13
5748	37	5874	5	6159	10	7392	48
5749	37	5889	49	6195	55	7393	48
5750	37	5890	51	6212	10	7394	48
5751	37	5908	13	6213	10	7508	57
5752	37	5909	12	6214	10	7552	56
5753	37	5910	14	6215	10	7569	58
5754	37	5911	14	6218	50	7575	49
5769	44	5912	14	6220	17	7688	12
5770	45	5913	14	6224	18	7695	12
5777	45	5914	14	6291	15	7696	13
5778	43	5915	12	6321	12	7698	12
5779	43	5916	12	6322	13	7701	12
5780	43	5947	51	6365	15	7702	14
5781	43	5979	57	6378	5	7703	14
5782	43	6000	42	6533	14	7752	12
5783	43	6039	41	6569	18	7813	26
5784	43	6040	41	6665	34	7826	11
5785	43	6041	41	6665	51	8176	13
5786	42	6042	41	6704	17	8273	13
5787	42	6051	39	6706	50	8275	13
5788	42	6052	39	6724	50	8290	13
5789	42	6053	41	6770	12	8679	13
5790	42	6054	41	6869	19	8681	13
5791	42	6055	41	6910	38		
5792	42	6056	41	6989	57		

The text and illustrative matter in this publication or any part thereof may not be reproduced in any manner without written permission of Advanced Interconnections Corporation.

Advanced Interconnections Corporation reserves the right to change specifications without prior notice on any and all parts shown in this publication as long as the function of the product remains the same.

Every effort has been made to assure the accuracy of data shown in this publication. Advanced Interconnections Corporation does not assume responsibility for typographical errors or errors of omission.

Advanced Interconnections® is a registered trademark of Advanced Interconnections Corporation.

EMC® is a registered trademark of Advanced Interconnections Corporation.

Nurl-Loc® is a registered trademark of Advanced Interconnections Corporation.

Federal Supply # 61638

Federal I.D. # 05-0394638

Tolerance: ± .005 unless otherwise specified.

© 1989 Advanced Interconnections Corporation

THIS CATALOG WAS PRODUCED AND PRINTED IN THE U.S.A.