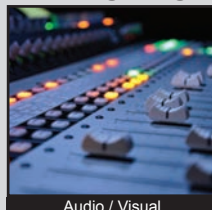


# TL1270 SERIES TACT SWITCH

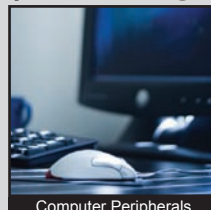
ANTI-VANDAL SWITCHES  
 DETECTOR SWITCHES  
 DIP SWITCHES  
 KEYLOCK SWITCHES  
 NAVIGATION SWITCHES  
 PUSHBUTTON SWITCHES  
 ROCKER SWITCHES  
 ROTARY SWITCHES  
 SLIDE SWITCHES  
 SNAP ACTION SWITCHES  
**TACTILE SWITCHES**  
 TOGGLE SWITCHES  
 CAP OPTIONS



## APPLICATIONS / MARKETS



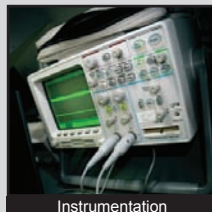
Audio / Visual



Computer Peripherals



Consumer Electronics



Instrumentation



Telecommunication



Medical Equipment

**RoHS**

## SPECIFICATIONS

**Electrical Rating:** 50mA @ 12VDC  
**Life Expectancy:** 100,000 Cycles  
**Contact Resistance:** 500mΩ Max.  
**Insulation Resistance:** 100 MΩ Min. at 100VDC  
**Dielectric Strength:** 250VAC for 1 min.  
**Operating Temperature:** -40°C to 85°C  
**Storage Temperature:** -40°C to 85°C  
**Operating Force:** 160 gf, 250 gf  
**Travel:** 0.20mm  
**Contact Arrangement:** SPST, Normally Open, Momentary

## FEATURES & BENEFITS

- LED Illumination
- Tape & Reel packaging
- Right angle design
- Gold or silver contact option
- Long or short cap options

## PART NUMBER CONFIGURATOR

Series	Force	Color	Contact Plating	Cap Style	Cap Color
<input type="text" value="TL"/> <input type="text" value="1"/> <input type="text" value="2"/> <input type="text" value="7"/> <input type="text" value="0"/>	<input type="text" value="F"/> <input type="text" value="1"/> <input type="text" value="6"/> <input type="text" value="0"/>	<input type="text" value="BL"/> <input type="text" value="GY"/>	<input type="text" value="Q"/> <input type="text" value="R"/>	<input type="text" value="A"/> <input type="text" value="B"/>	<input type="text" value="T"/>
TL1270	F160 F250	BL - Blue GY - Green/Yellow bi-color RE - Red YE - Yellow WH - White	Q - Silver R - Gold	A - Short B - Long	T - Transparent

*Specifications subject to change without notice*



**E-SWITCH®**

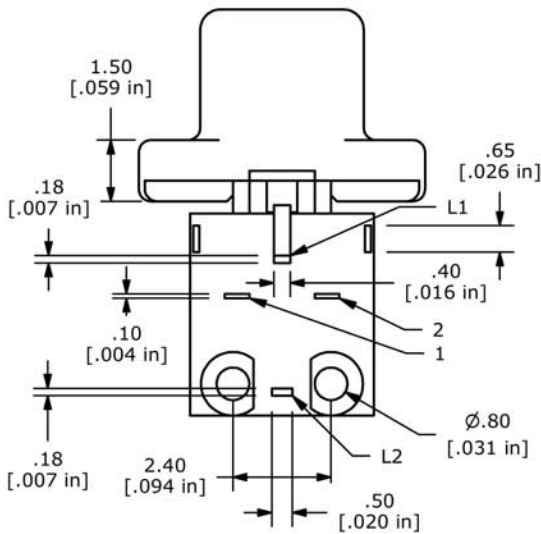
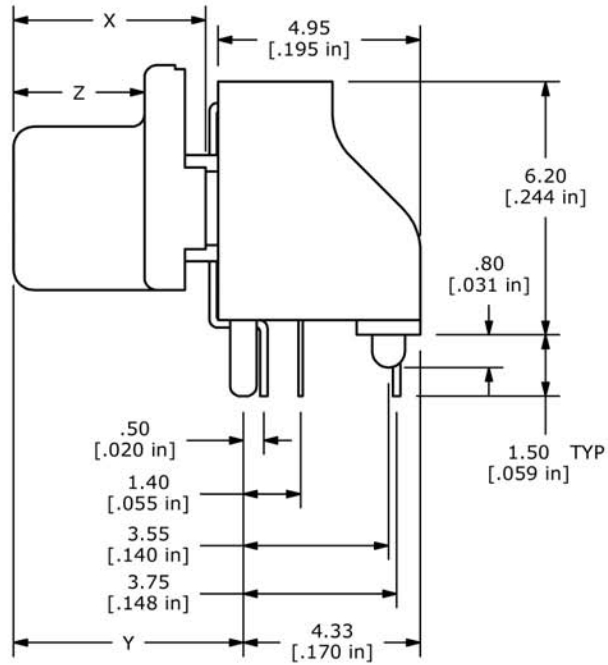
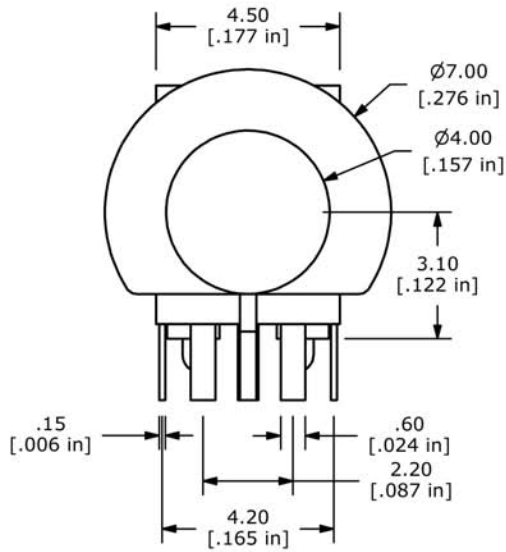
www.e-switch.com

800.867.2717

2

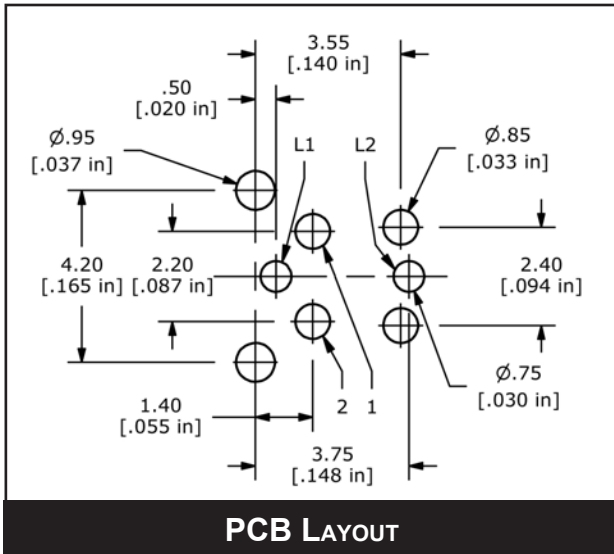
# TL1270 SERIES TACT SWITCH

## BODY DIMENSIONS

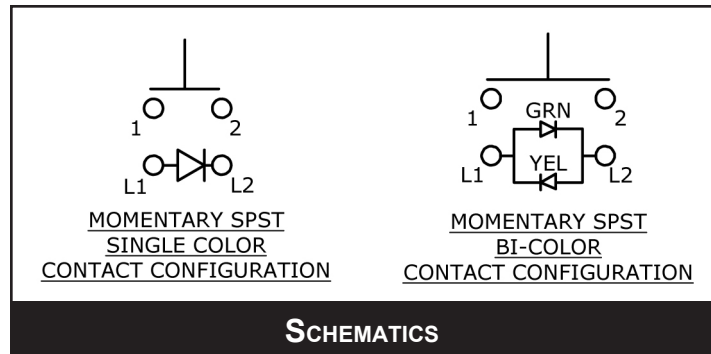


CAP Dimensions			
Cap Style	Dimension X	Dimension Y	Dimension Z
A	4.70 [.185 in]	5.62 [.221 in]	3.20 [.126 in]
B	5.70 [.224 in]	6.62 [.261 in]	4.20 [.165 in]

LED Specifications			
	Forward Current	Forward Voltage	Luminous Intensity
Blue	20mA	3.0V Typ - 3.6V Max	80 mcd Typ
Red	20mA	3.0V Typ - 3.6V Max	80 mcd Typ
Green	20mA	2.0V Typ - 2.3V Max	6 mcd Typ
Yellow	20mA	2.0V Typ - 2.3V Max	50 mcd Typ
White	20mA	3.0V Typ - 3.6V Max	350 mcd Typ



PCB LAYOUT



SCHEMATICS



ANTI-VANDAL SWITCHES  
 DETECTOR SWITCHES  
 DIP SWITCHES  
 KEYLOCK SWITCHES  
 NAVIGATION SWITCHES  
 PUSHBUTTON SWITCHES  
 ROCKER SWITCHES  
 ROTARY SWITCHES  
 SLIDE SWITCHES  
 SNAP ACTION SWITCHES  
 TACTILE SWITCHES  
 TOGGLE SWITCHES  
 CAP OPTIONS