

Surface  
**SMT**  
Mount

# .025"sq SMT SOCKET SSM SERIES



**Mates with:**  
TSW, MTSW, TST,  
TSS, ZST, ZSS, DW,  
EW, ZW, TSM

## SPECIFICATIONS

For complete specifications see [www.samtec.com?SSM](http://www.samtec.com?SSM)

**Insulator Material:**  
Black Liquid Crystal  
Polymer



**Contact Material:**  
Phosphor Bronze



**Plating:** Au, PdNi or  
Sn over 50µ" (1,27µm) Ni

**Current Rating:**

3A @ 80°C ambient (-DV/-SV  
mated with TSM-DV)

4A @ 80°C ambient (-DH/-SH  
mated with TSW-D)

**Voltage Rating:**

475 VAC (-SV/-DV mated  
with TSW)

450 VAC (-SH/-DH mated  
with TSM)

**Operating Temp Range:**

-55°C to +125°C with Gold

-55°C to +105°C with Tin

**Contact Resistance:**

10 mΩ max

**Insertion Depth:**

SV/DV is (4,34mm) .171" to  
(7,24mm) .285" or pass-through  
from top; (5,56mm) .219" plus  
board thickness minimum from  
bottom; SH/DH is (4,34mm)

.171" to (6,35mm) .250"

**Insertion Force:**

(Single contact only)

5oz (1,39N) average

**Normal Force:**

125 grams (1,21N) average

**Withdrawal Force:**

(Single contact only)

2oz (0,56N) average

**Processing:**

**Max Processing Temp:**

230°C for 60 seconds, or

260°C for 20 seconds 3x  
with Matte Sn

**Lead-Free Solderable:**

Yes, with Matte Sn plating

**-DH Coplanarity:**

Less than 28 positions

(0,15mm) .006" max

More than 27 positions

(0,20mm) .008" max

**-SH, -SV, -DV Coplanarity:**

(0,15mm) .006" max

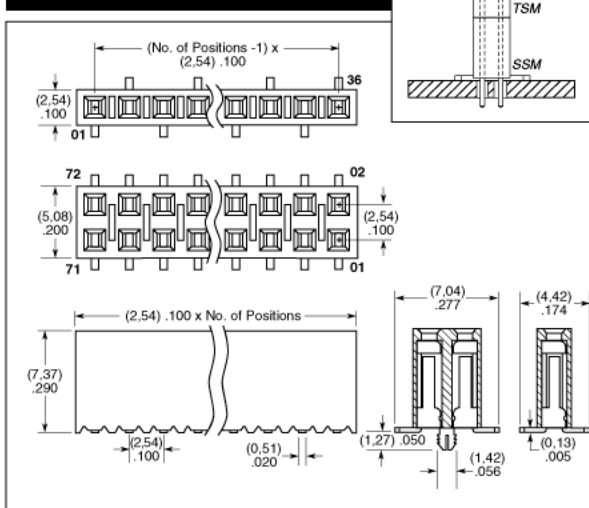
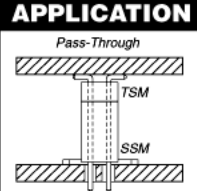


02 thru 36

**-S or -SM**  
= 30µ" (0,76µm) Gold on contact,  
Tin (-S) or Matte Tin (-SM) on tail

**APPLICATION SPECIFIC OPTION**  
Alignment Pin available.  
Call Samtec.

**-L or -LM**  
= 10µ" (0,25µm) Gold on contact,  
Tin (-L) or Matte Tin (-LM) on tail



**-SV**  
= Single Row Vertical Pin

**-DV**  
= Double Row Vertical Pin

**-SH**  
= Single Row Horizontal Pin

**-DH**  
= Double Row Horizontal Pin

**-BE**  
= Bottom Entry  
(-DV & -SV only)

**-LC**  
= Locking Clip  
(-DV & -SV only)  
Contact Samtec for  
-DH & -SH

**-K**  
= (6,50mm) .256" DIA  
Polyimide film  
Pick & Place Pad  
(5 positions min.)  
-DV & -SV only

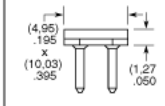
**-“XXX”**  
= Polarized Position  
(-BE not available)

**-TR**  
= Tape & Reel Packaging  
(29 positions max.)

**-M**  
= Metal Pick & Place Pad  
(5 positions min.)  
-DV only

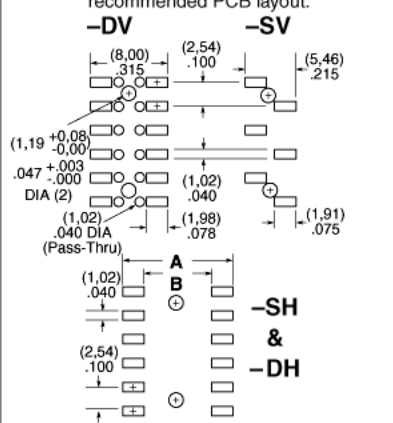


**-P**  
= Plastic Pick & Place Pad  
(-DV & -SV only)  
(5 pos. minimum)

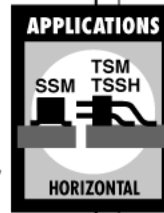


## SUGGESTED PCB LAYOUTS

For reference only. Please contact Samtec or go to [www.samtec.com?SSM](http://www.samtec.com?SSM) for recommended PCB layout.



Row Option	A	B
-SH	(12,19) .480	(8,38) .330
-DH	(11,68) .460	(7,11) .280



**Note:** Some lengths, styles and options are non-standard, non-returnable.

Due to technical progress, all designs, specifications and components are subject to change without notice.

[WWW.SAMTEC.COM](http://WWW.SAMTEC.COM)