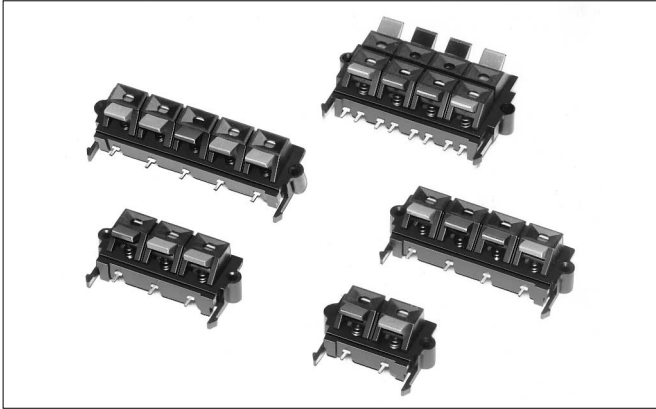


# Push Terminal

## Features



1. A coil spring is used to hold the lead wire securely.
2. Select from our 2P to 8P series for the configuration which best suits your applications.
3. The parts of which holes for lead wires accepting the automatic check machine are available.

## Products Variation

| Poles | Part No.      | Terminal Form    | Terminal Pitch(mm) | Automatic Check Machine | Page |
|-------|---------------|------------------|--------------------|-------------------------|------|
| 2P    | LQV0200-□□01  | Straight Type    | 17                 | —                       | 110  |
|       | LQV0220-0003  | Straight Type    | 13                 | ○                       | 110  |
|       | LQV0250-□□02  | Straight Type    | 13                 | —                       | 110  |
|       | LQR0210-□□04  | Right Angle Type | 13                 | —                       | 111  |
| 4P    | LQV0420-□□07  | Straight Type    | 13                 | —                       | 111  |
|       | LQR0410-□□07  | Right Angle Type | 13                 | ○                       | 111  |
|       | LQR0410-□□09  | Right Angle Type | 13                 | ○                       | 112  |
| 6P    | LQR0610-□□01M | Right Angle Type | 13                 | ○                       | 112  |
| 8P    | LQV0820-2002  | Straight Type    | 12.5               | —                       | 112  |
|       | LQR0810-□□06  | Right Angle Type | 12.5               | ○                       | 113  |

# Push Terminal

## Electric Performance

| No. | Item                  | Test Condition  | Specifications     |
|-----|-----------------------|---|--------------------|
| 1   | Contact Resistance    | Hold soft copper wires of AWG 20(21/0.18)completely,and measure with the current measuring instrument of 1000Hz.                              | 30m $\Omega$ max.  |
| 2   | Insulation Resistance | Measure at DC 500V, measure between each terminal (between terminal and knob).  | 100M $\Omega$ min. |
| 3   | Withstanding Voltage  | Measure at AC 1200V(50/60Hz) for 1 minute,and between each terminal.  | Normal             |
| 4   | Temperature Increase  | Hold soft copper wires of AWG 14 ( $\phi$ 1.6mm),and measure temperature increase of the terminal bases when turning on electricity at DC 4A. | 30deg max.         |

## Mechanical Performance

| No. | Item                          | Test Condition  | Specifications |
|-----|-------------------------------|---|----------------|
| 5   | Lead Wire Holding Force       | Twist conductor parts of lead wires of AWG (21/0.18), then insert them full depth and tense them in the vertical direction. | 8N min.        |
| 6   | Knob Handing Force            | When pushing knobs point.   | 11N max.       |
| 7   | Maximum Knob Press            | 3kg when pushing knobs with.  | Normal         |
| 8   | Inserting Hole Widened Amount | When moving knobs full stroke   | 2.0mm min.     |
| 9   | Terminal Strenght             | 30N for 10 seconds in each direction (a terminal per 1 direction).  | Normal         |

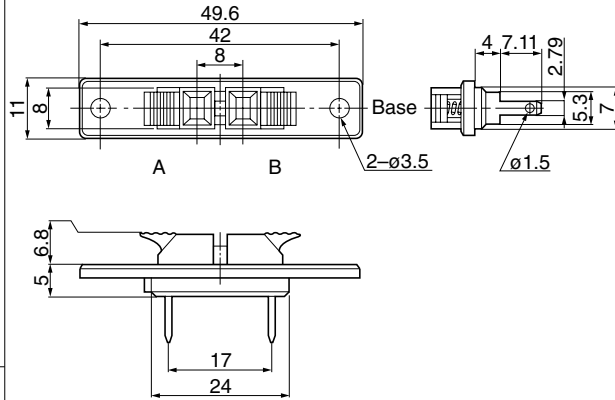
## Environmental Performance

| No. | Item                      | Test Condition  | Specifications                            |
|-----|---------------------------|---|---|
| 10  | Soldering Heat Resistance | Soak the terminals of the edge to 4mm in solder at $270 \pm 5^{\circ}\text{C}$ for $3 \pm 0.5$ seconds. | Normal in external appearance             |
| 11  | Soldering Heat            | Soak the terminal in solder at $230 \pm 5^{\circ}\text{C}$ for $5 \pm 0.5$ seconds.                     | 90% soldered area or more after soldering |

# Push Terminal

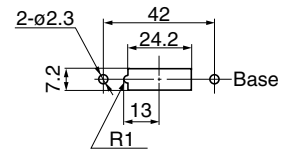
TERMINALS

## LQV0200-□□01



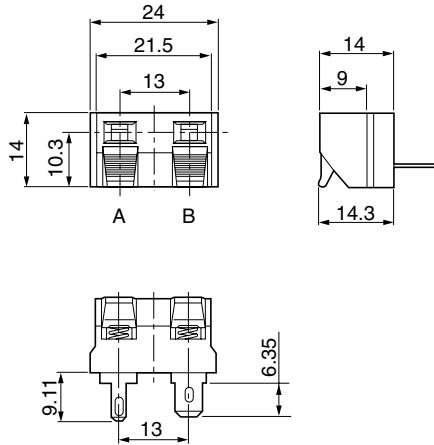
| □□ | Arrangement |       |
|----|-------------|-------|
|    | A           | B     |
| 00 | Red         | Black |
| 01 | Red         | Blue  |
| 02 | Black       | Black |

(Recommended P.W.Board Dimension)  
(The Pattern Side)



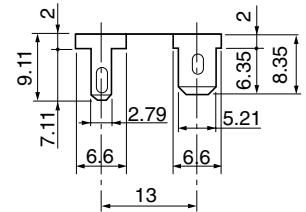
**Straight (2P)**

## LQV0220-0003



| Arrangement |     |
|-------------|-----|
| A           | B   |
| Black       | Red |

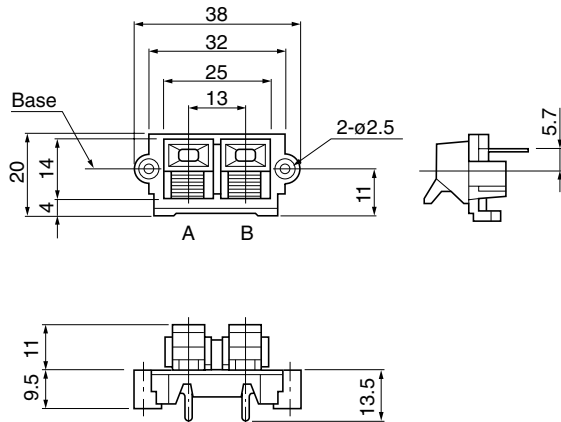
(Lead Wiring)



(Sealing Type)

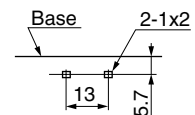
**Straight (2P)**

## LQV0250-□□02



| □□ | Arrangement |       |
|----|-------------|-------|
|    | A           | B     |
| 00 | Red         | Blue  |
| 10 | Red         | Black |
| 20 | Black       | Red   |

(Recommended P.W.Board Dimension)  
(The Pattern Side)



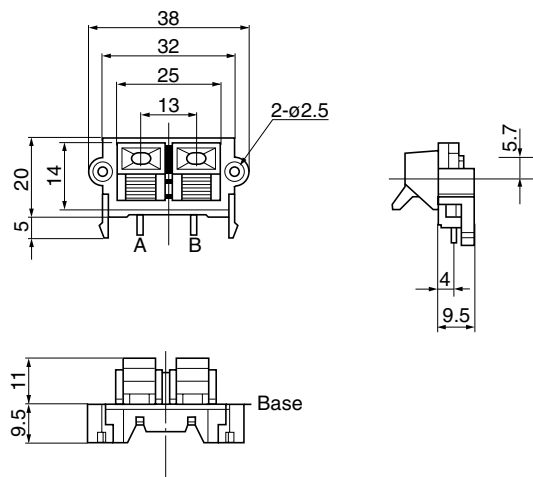
**Straight (2P)**

# Push Terminal



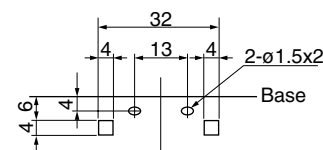
LQR0210-□□04

Right Angle (2P)



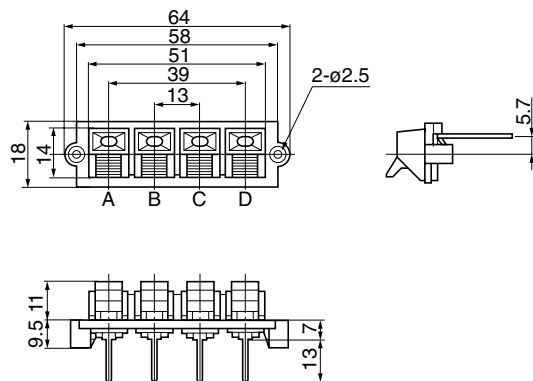
| □□ | Arrangement |       |
|----|-------------|-------|
|    | A           | B     |
| 10 | Red         | Black |
| 20 | Black       | Red   |

(Recommended P.W.Board Dimension)  
(The Pattern Side)



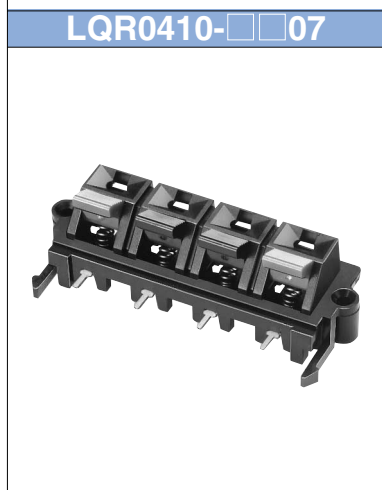
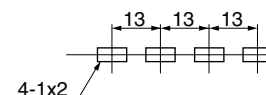
LQV0420-□□07

Straight (4P)



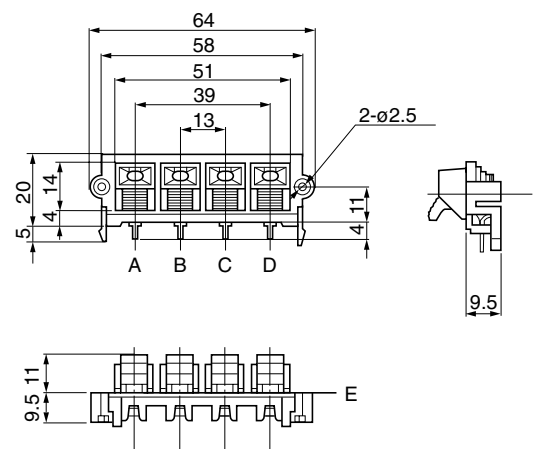
| □□ | Arrangement |       |       |       |
|----|-------------|-------|-------|-------|
|    | A           | B     | C     | D     |
| 10 | Red         | Black | Black | Red   |
| 20 | Black       | Red   | Red   | Black |
| 30 | Red         | Red   | Red   | Red   |
| 40 | Black       | Black | Black | Black |

(Recommended P.W.Board Dimension)  
(The Pattern Side)



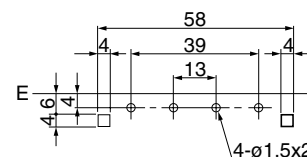
LQR0410-□□07

Right Angle (4P)



| □□ | Arrangement |       |       |       |
|----|-------------|-------|-------|-------|
|    | A           | B     | C     | D     |
| 10 | Red         | Black | Black | Red   |
| 40 | Black       | Black | Black | Black |

(Recommended P.W.Board Dimension)  
(The Pattern Side)

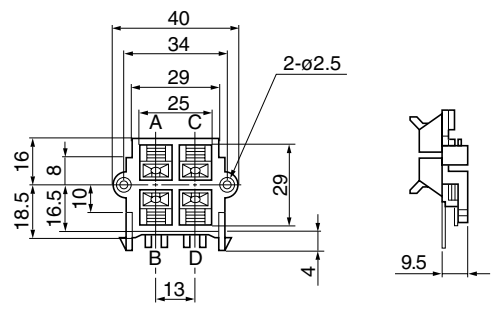


# Push Terminal

TERMINALS



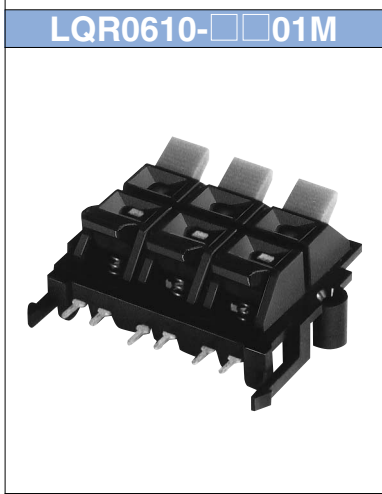
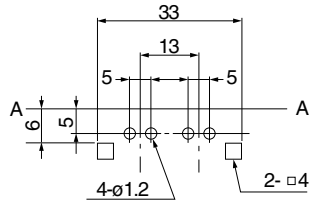
LQR0410-□□09



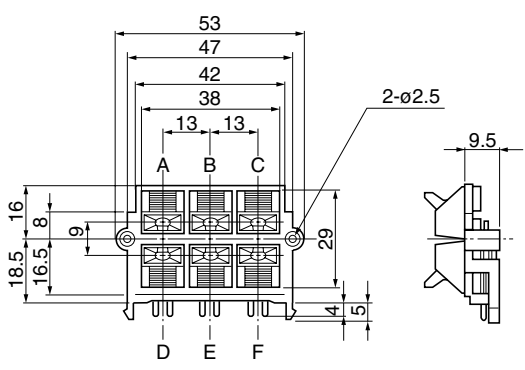
Right Angle (4P)

| □□ | Arrangement |       |       |       |
|----|-------------|-------|-------|-------|
|    | A           | B     | C     | D     |
| 01 | Red         | Black | Red   | Black |
| 02 | Black       | Red   | Black | Red   |
| 03 | Red         | Red   | Black | Black |
| 04 | Black       | Black | Red   | Red   |
| 05 | Black       | Black | Black | Black |

(Recommended P.W.Board Dimension)  
(The Pattern Side)



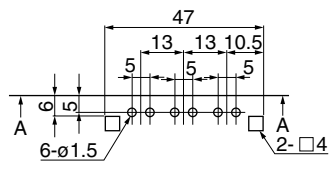
LQR0610-□□01M



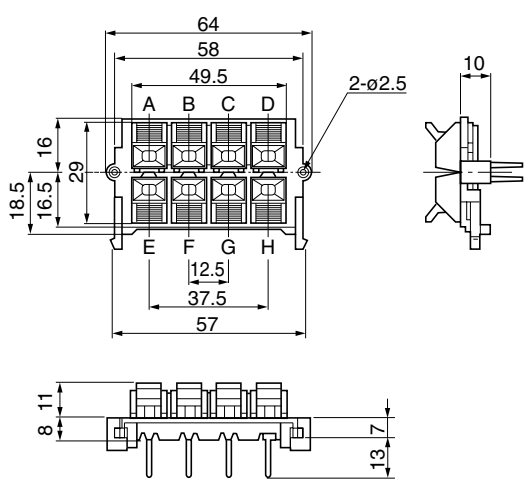
Right Angle (6P)

| □□ | Arrangement |       |       |       |       |       |
|----|-------------|-------|-------|-------|-------|-------|
|    | A           | B     | C     | D     | E     | F     |
| 00 | Red         | Red   | Red   | Black | Black | Black |
| 01 | Black       | Black | Black | Red   | Red   | Red   |

(Recommended P.W.Board Dimension)  
(The Pattern Side)



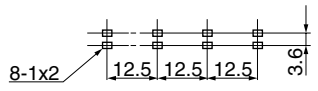
LQV0820-2002



Straight (8P)

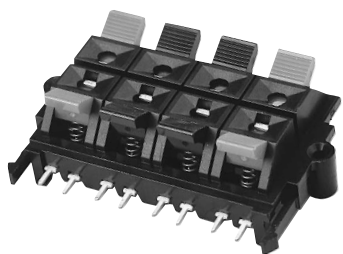
| Arrangement |       |       |     |     |       |       |     |
|-------------|-------|-------|-----|-----|-------|-------|-----|
| A           | B     | C     | D   | E   | F     | G     | H   |
| Red         | Black | Black | Red | Red | Black | Black | Red |

(Recommended P.W.Board Dimension)  
(The Pattern Side)

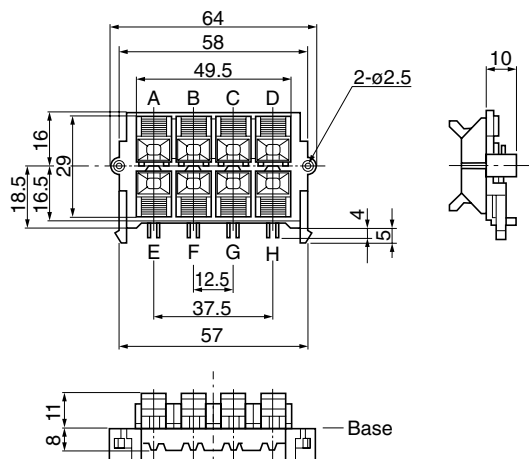


# Push Terminal

LQR0810-□□06



Right Angle (8P)



| □□ | Arrangement |       |       |     |       |       |       |       |
|----|-------------|-------|-------|-----|-------|-------|-------|-------|
|    | A           | B     | C     | D   | E     | F     | G     | H     |
| 00 | Red         | Black | Black | Red | Red   | Black | Black | Red   |
| 01 | Red         | Red   | Red   | Red | Black | Black | Black | Black |

(Recommended P.W.Board Dimension)  
(The Pattern Side)

