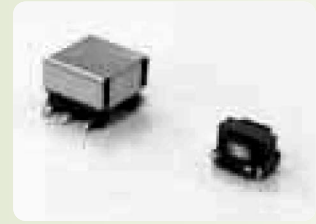


SMD Type Current Transformers



Features

- Accomodates automatic mounting
- Compact & thin profile

Operating Temperature Range

-20°C~110°C (including temperature of parts itself)

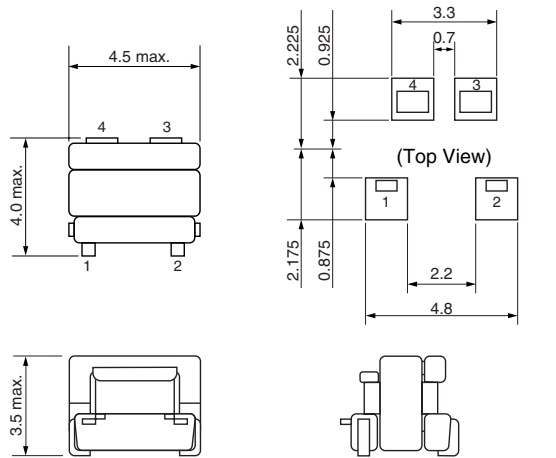
Model	Rated Voltage Primary (V)	Winding Racio P : S	Inductance Secondary min. (mH)	DC Resistance Primary (mΩ) max.	DC Resistance Secondary (mΩ) max.
E4T-1	4	1 : 150	4.0	11	40
E5T-1	3	1 : 100	2.0	13.5	6.55
E5T-2	1.5	4 : 20	0.08	35	310

· Inductance measurement condition : f=10kHz, 1mA

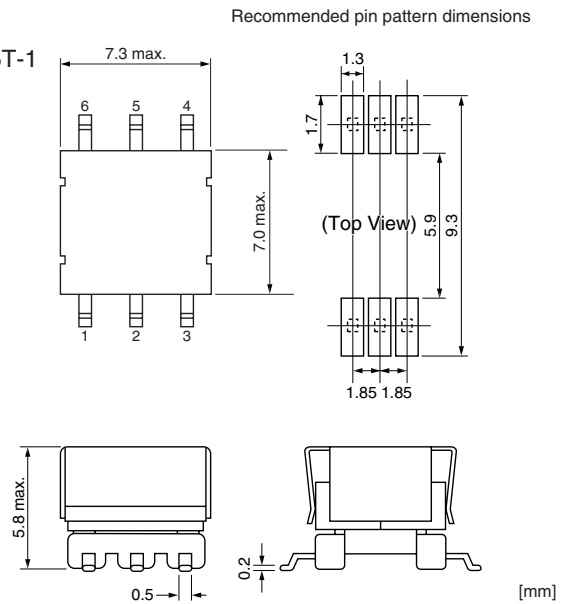
Note:Applicable to other uses besides examples above by adjusting number of turns. contact us for detail.

Shapes and Dimensions

●E4T-1



●E5T-1



Typical Circuit

