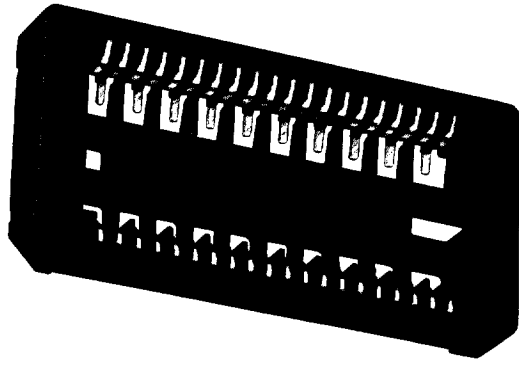


# SURFACE MOUNT SOJ SOCKETS



This is a range of surface mount SOJ sockets suitable for S-RAM and D-RAM chips.

- Open body construction allows for detailed inspection of solder joints.
- Available in tubes or tape and reel for high speed assembly.

## Specification

### Material

Contact: Phosphor bronze  
Insulator: PPS R-4 UL94V-0

### Electrical

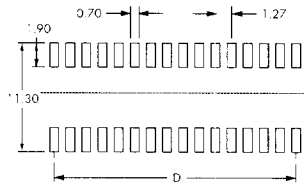
Current rating: 1 amp continuous  
Contact resistance: 20 milliohms max  
Withstanding voltage: 600V a.c.  
Insertion force: 3.34N max per contact  
Withdrawal force: 0.14N min per contact

### Mechanical

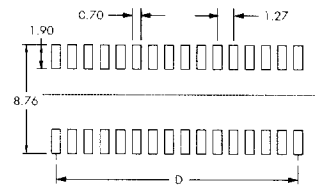
Operating temperature: -55°C to +105°C  
Soldering temperature: 235°C, 5 seconds max.

## Recommended PC Board Pattern

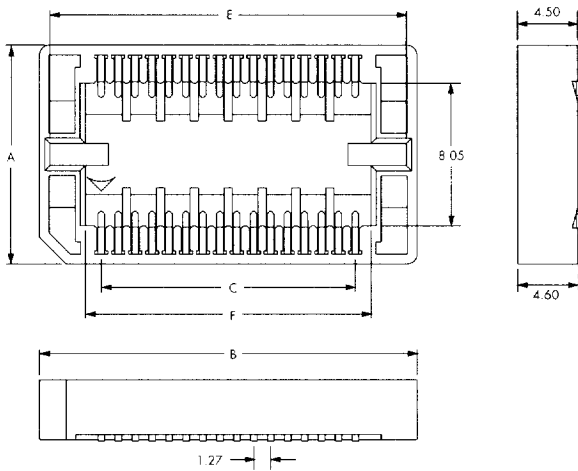
300 Series



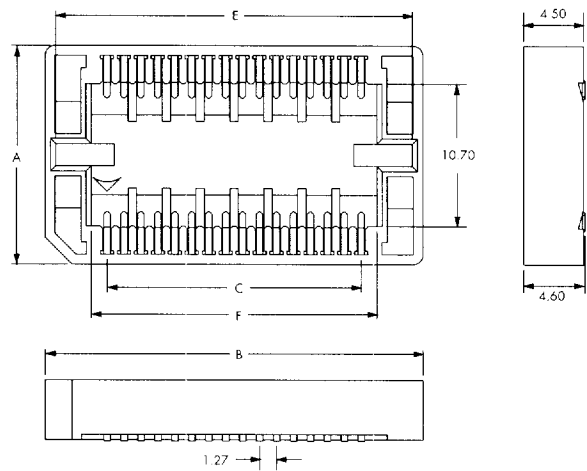
400 Series



## 300 SERIES



## 400 SERIES



No. of Ways	A	B	C	D	E	F	300 Series (Tube)
24	13.87	23.26	13.97	13.97	21.64	16.36	D30024-06
26	13.87	24.53	15.24	15.24	22.91	17.63	D30026-06
28	13.87	25.80	16.51	16.51	24.18	18.90	D30028-06
32	13.87	28.34	19.05	19.05	26.72	21.40	D30032-06
							(Reel)
28	13.87	25.80	16.51	16.51	24.18	18.91	D30028-06R
32	13.87	28.34	19.05	19.05	26.72	21.40	D30032-06R

No. of Ways	A	B	C	D	E	F	400 Series (Tube)
28	16.41	25.78	16.51	16.51	24.18	18.88	D40028-06
32	16.41	28.32	19.05	19.05	26.72	21.42	D40032-06
40	16.41	33.40	24.13	24.13	31.80	26.50	D40040-06
42	16.81	34.67	25.40	25.40	33.07	27.77	D40042-06
							(Reel)
40	16.41	33.40	24.13	24.13	31.80	26.50	D40040-06R