

[Molex.com](#)

English
日本語
한국어
简体中文

[Register | Login](#)
[My Parts \(0 items \)](#)

Search site: Search: [Go](#)

- Product Name**
- Cross-Ref**
- Catalog**
- Literature**
- Industries**
- Standards**
- Contact Us**
- About Us**
- Investors**
- Careers**

- [Connectors](#)
- [Sockets](#)
- [I/O Connectors](#)
- [Cable Assemblies](#)
- [Fiber Optics](#)
- [Printed Circuit Products](#)
- [Industrial Products](#)
- [Lighting Products](#)

Switch Language

- [Home](#)
- [PCB Headers](#)
- [Datasheet](#)

Need Assistance?

- [Contact Us](#)
- [Find a Distributor](#)
- [Order Samples](#)
- [Tech Library](#)
- [Ecocare](#)
- [Electrical Models](#)

[Printer-friendly page](#)

[Email this page](#)

Part Number:

0039299202

Status:

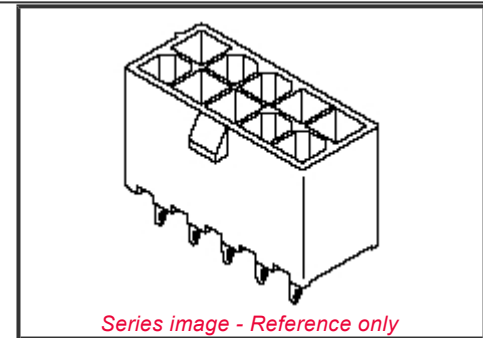
Active

Overview:

Mini-Fit Jr.™

Description:

4.20mm (.165") Pitch Mini-Fit Jr.™ Header, Dual Row, Vertical, with Snap-in Plastic Peg PCB Lock, 20 Circuits, PA Polyamide Nylon 6/6 94V-2, Tin (Sn) Plating, with Drain Holes



Documents: *Note - Please disable browser pop-up blockers for documents on www.molex.com*

[Drawing \(PDF\)](#)

[Product Specification PS-5556-001 \(PDF\)](#)

[3D Model](#)

EU RoHS
ELV and RoHS
Compliant

REACH SVHC
Not Reviewed

Halogen-Free
Status
Halogen-Free

China RoHS



Need more information on product environmental compliance?Email productcompliance@molex.comFor a multiple part number RoHS Certificate of Compliance, [click here](#)Please visit the [Contact Us](#) section for any non-product compliance questions.**Search Parts in this Series**[5566](#)Series**Mates With**[5557](#) Mini-Fit Jr.™ Receptacle Housing**Order Products:****Part Detail:** ([show all](#))**[General](#)[Physical](#)[Electrical](#)[Agency Certification](#)[Solder Process Data](#)[Material Info](#)[Reference - Drawing Numbers](#)****General**

Product Family	PCB Headers
Series	5566
Application	Wire-to-Board
Comments	Current = 13A max. per circuit when header is mated to a receptacle loaded with 45750 Mini-Fit Plus HCS™ Crimp Terminal Crimped to to 16 AWG wire. See Molex product specification PS-45750-001 for additional current de-rating information. High Temperature, Square Pin, Solder Type
Overview	Mini-Fit Jr.™
Product Name	Mini-Fit Jr.™

Physical

Breakaway	No
Circuits (Loaded)	20
Circuits (maximum)	20
Color - Resin	Natural
Durability (mating cycles max)	30
First Mate / Last Break	No
Flammability	94V-2
Glow-Wire Compliant	No
Guide to Mating Part	No
Keying to Mating Part	None
Lock to Mating Part	Yes
Material - Metal	Brass
Material - Plating Mating	Tin
Material - Plating Termination	Tin
Material - Resin	Nylon
Number of Rows	2
Orientation	Vertical
PC Tail Length (in)	0.138 In
PC Tail Length (mm)	3.50 mm
PCB Locator	Yes
PCB Retention	Yes
PCB Thickness Recommended (in)	0.062 In
PCB Thickness Recommended (mm)	1.60 mm
Packaging Type	Tray
Pitch - Mating Interface (in)	0.165 In
Pitch - Mating Interface (mm)	4.20 mm
Pitch - Term. Interface (in)	0.165 In
Pitch - Term. Interface (mm)	4.20 mm
Plating min: Mating (μ in)	35
Plating min: Mating (μ m)	0.90
Plating min: Termination (μ in)	100
Plating min: Termination (μ m)	2.50
Polarized to Mating Part	Yes
Polarized to PCB	Yes
Shrouded	Fully
Stackable	No
Surface Mount Compatible (SMC)	No
Temperature Range - Operating	-40°C to +105°C
Termination Interface: Style	Through Hole

Electrical(Please review the Product Specification for specific details.)

Current - Maximum per Contact 13A

Voltage - Maximum 600V

Agency Certification

CSA LR19980

TUV R72081037

UL E29179

Solder Process DataDuration at Max. Process Temperature 5
(seconds)

Lead-free Process Capability Wave Capable (TH only)

Max. Cycles at Max. Process Temperature 1

Process Temperature max. C 240

Material Info

Old Part Number A-5566-20B2

Reference - Drawing Numbers

Product Specification PS-5556-001

Sales Drawing SDA-5566-N*2*-*