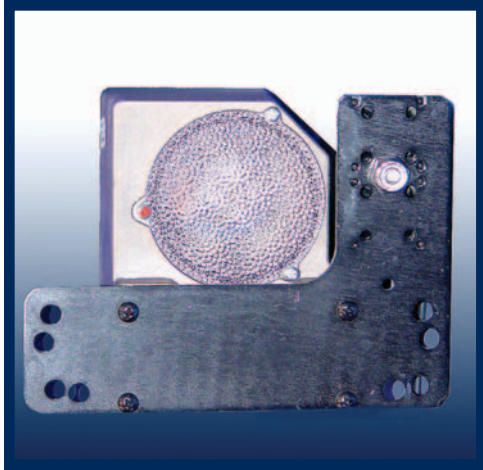




892 Series LED

8³/₈" WAYSIDE SIGNAL LAMP MODULE

With Rear LED Indicator and AREMA Terminal Block



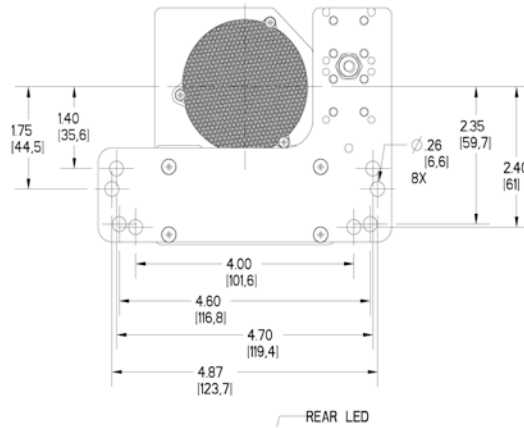
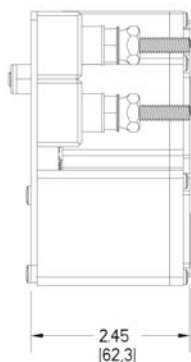
FEATURES / BENEFITS

- ▲ Features hi-flux LEDs to simulate point light source for enhanced optical performance
 - Faster on/off response time than incandescent lamps improves safety
 - Flicker resistance & reduced current draw
 - 5+ year life reduces maintenance costs
- ▲ L.O.D Compliance available (Q3)
- ▲ Prevents sun phantom effects by eliminating use of colored inner filter lenses
- ▲ Designed to fit Safetran, US&S, GRS, and other 8 inch diameter transit wayside signal heads
- ▲ Uses existing signal head outer lens
- ▲ 12 volt AC/DC and 120 Volt AC versions
- ▲ Power factor correction & reduced THD
- ▲ Certified for rail environment
- ▲ Includes AREMA Terminal Block and complete installation hardware kit
- ▲ Rear indicator for use by maintenance crew

APPLICATION

▲ The 892 Series LED Wayside Signal Lamp Modules were developed by Dialight specifically for retrofit applications where replacement of existing incandescent light bulbs is desired. This installation approach provides all the benefits of LEDs without the complex retrofit of the entire lens and housing assemblies. Installation is nearly as simple as replacement of the incandescent bulb. Dialight lamp modules have been fully qualified for the Rail environment and incorporate power factor correction and total harmonic distortion reduction circuitry.

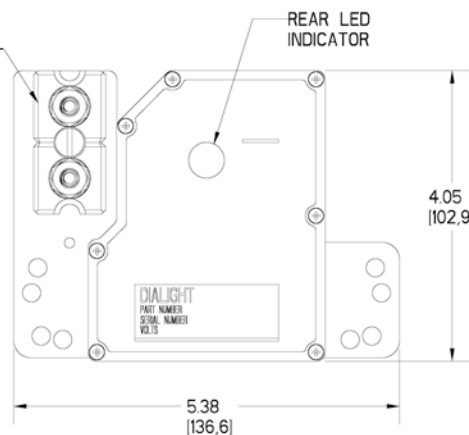
Mechanical Dimensions in inches and (millimeters)



AREMA TERMINAL BLOCK

REAR LED

REAR LED INDICATOR



▲ Dialight is the recognized leader in LED applications for transportation signaling, and has worked cooperatively with leading transit rail customers to develop this unique solution to wayside signal applications for LEDs. It is proven to be a preferred product over traditional 5mm LED distributed array solutions.

Shown without wires for clarity.

Wires would come from the bottom of the module and be connected to the AREMA terminal block.

PRELIMINARY

New for 2004

Dialight Corporation

1501 Route 34 South • Farmingdale, NJ 07727 USA

Tel: (1) 732-919-3119 • Fax: (1) 732-751-5778 • www.dialight.com



a Roxboro Group Company



MDTR892X001_01



892 Series LED 8^{3/8}" Wayside Signal Lamp Module

With Rear LED Indicator and AREMA Terminal Block

ELECTRICAL CHARACTERISTICS @ 25°C

Part Number	Color	Description	Operating Voltage
892-1G01-231-RA-001	Green	Ring lug, 12" leads	8-16 VDC
892-1R01-231-RA-001	Red	Ring lug, 12" leads	8-16 VDC
892-1Y01-231-RA-001	Yellow	Ring lug, 12" leads	8-16 VDC
892-1W01-231-RA-001	White	Ring lug, 12" leads	8-16 VDC
892-1G02-231-RA-001	Green	Ring lug, 12" leads	90-130 VAC
892-1R02-231-RA-001	Red	Ring lug, 12" leads	90-130 VAC
892-1Y02-231-RA-001	Yellow	Ring lug, 12" leads	90-130 VAC
892-1W02-231-RA-001	White	Ring lug, 12" leads	90-130 VAC

OPTICAL PERFORMANCE @ 25°C

892 SERIES	Description	Minimum Initial Light Output	Beam Angles
		On-axis Intensity (cd)	
	Red Wayside Signal	2100	2°12'(H) x 1°10'(V)
	Yellow Wayside Signal	3900	2°12'(H) x 1°10'(V)
	Green Wayside Signal	2800	2°12'(H) x 1°10'(V)
	White Wayside Signal	3200	2°12'(H) x 1°10'(V)
	Blue Wayside Signal	400	2°12'(H) x 1°10'(V)

PRELIMINARY
New for 2004

Dialight Corporation

1501 Route 34 South • Farmingdale, NJ 07727 USA

Tel: (1) 732-919-3119 • Fax: (1) 732-751-5778 • www.dialight.com



A4703



ISO 9001

Dialight Corporation

MDTR892X001_01