



Series 181 Thru 183 90° Pin Staked Flex Jumpers

FEATURES:

- Aries 90° Pin Staked Flex Jumpers combine thin, flexible, solid Copper conductors embedded between layers of tough, flexible, flame-retardant insulation.
- Consult factory for cable lengths under 2.000 [50.80].
- See Data Sheet 11005 for Flat Pin Staked Flex Jumpers

GENERAL SPECIFICATIONS:

- Standard cable insulation is white UL VW-1, Style 2643 flame retardant Polyester (Mylar) adhesive.
- High temperature flame retardant cable insulation is Polyimide (Kapton) insulation with acrylic adhesive.
- Cable conductors are solid Copper with a cross-sectional area equivalent to that of 26 gauge AWG.
- Female housing is black UL 94V-0 Glass-filled Stanyl 4/6 Nylon.
- Female and male "crimp-on" pins are spring-tempered Copper Alloy 510.
- Female and male pin plating:
 - T = 100µ" [2.54µm] min. Matte Tin per ASTM-B545-97 over 50µ" Min. Nickel per ASTM-AMS-QQ-N-290
 - TL = 100µ" [2.54µm] min. 93/7 Tin/Lead per SAE-AMS-P-81728 over 50µ" [1.27µm] min. Nickel per SAE-AMS-QQ-N-290.
- Cable current rating=3 Amps
- Cable voltage rating=300 Volts
- Cable dielectric strength=2500 Volts/mil, minimum (standard)
 - =4000 Volts/mil, minimum (high temp)
- Cable insulation resistance=1000 MOhms minimum (standard)
 - =100,000 MOhms (high temp)
- Conductor/Contact Resistance (avg.) = 20mOhms initial (max. 20mOhm increase) based on a 2" cable @20°C.
- Operating temperature=67 to 257°F [-55 to 105°C].
- Female housing accepts leads .024-.030 [.61-.76] square, .150 [3.81] long minimum.

MOUNTING CONSIDERATIONS:

- Suggested PCB hole size=.032±.002 .81 ± .05] dia.



Note: Aries specializes in custom design and production. In addition to the standard products shown on this page, special materials, platings, sizes, and configurations can be furnished, depending on quantities. Aries reserves the right to change product specifications without notice.

ALL DIMENSIONS: INCHES [MILLIMETERS]

All tolerances ± .005 [.13] unless otherwise specified

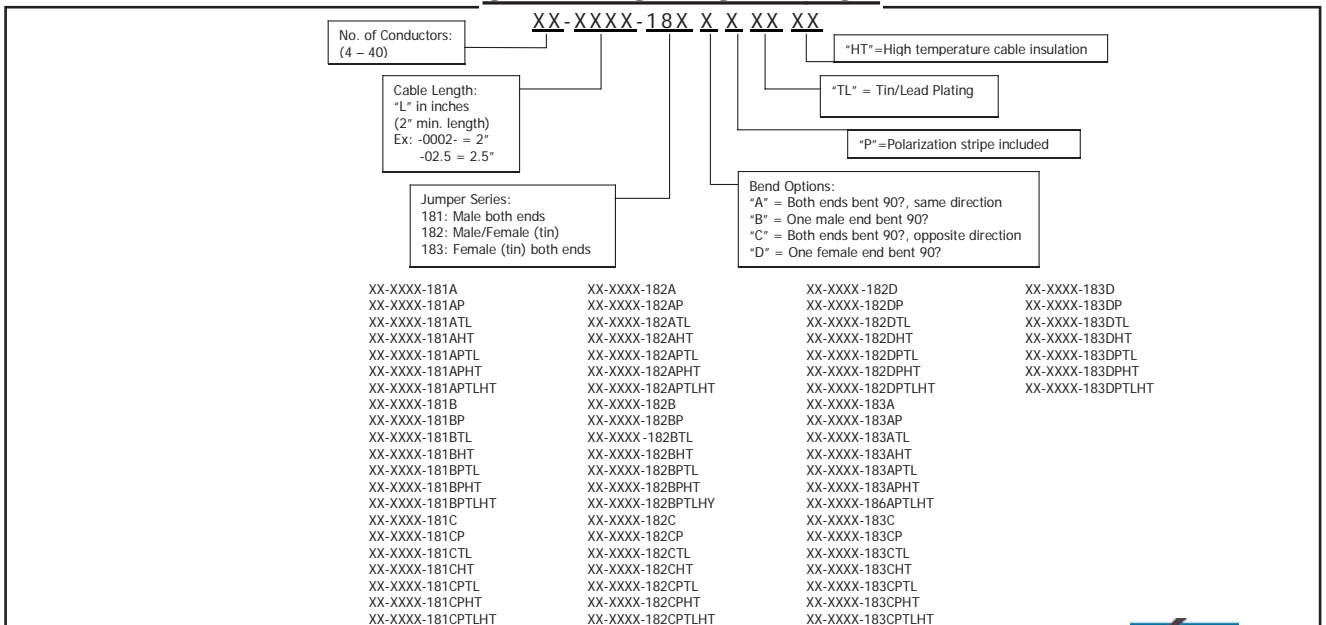
Kapton is a registered trademark for DuPont

**Aries reserves the right to ship with or without a polarization stripe unless otherwise specified by customer

"A"=NO. OF CONDUCTORS X .100 [2.54]

"B"=(NO. OF CONDUCTORS -1) X .100 [2.54]

ORDERING INFORMATION



http://www.arieselec.com • info@arieselec.com

NORTH AMERICA
Frenchtown, NJ USA
TEL: (908) 996-6841
FAX: (908) 996-3891



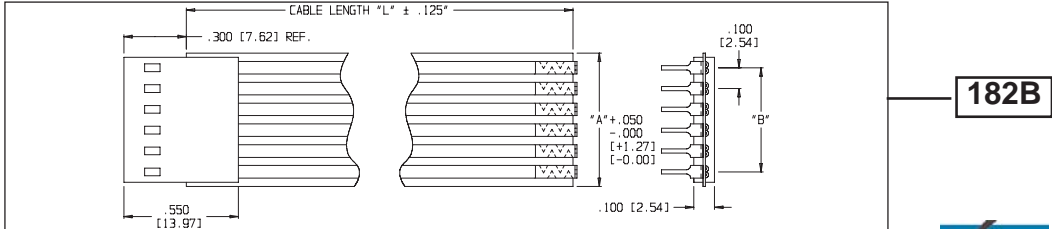
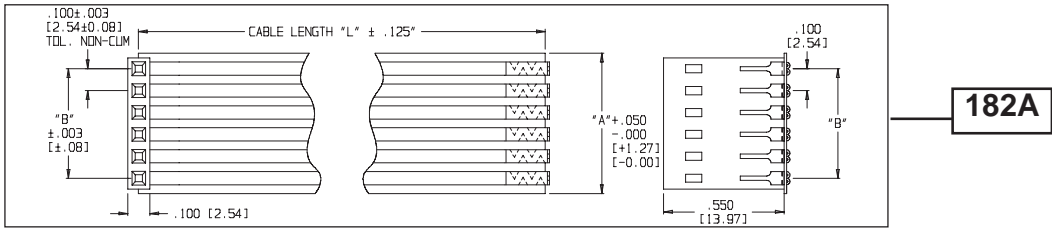
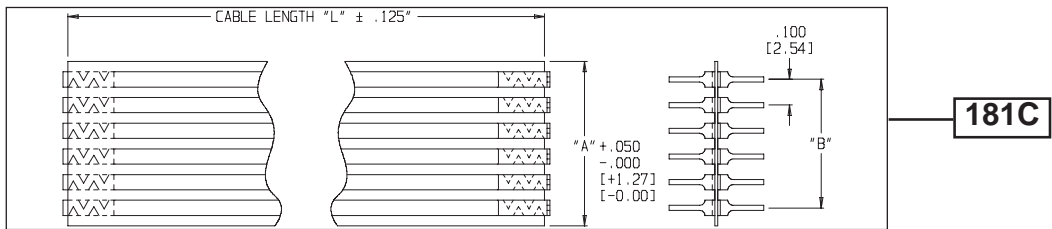
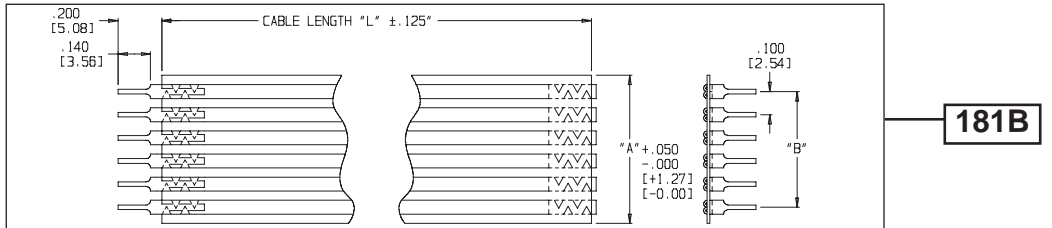
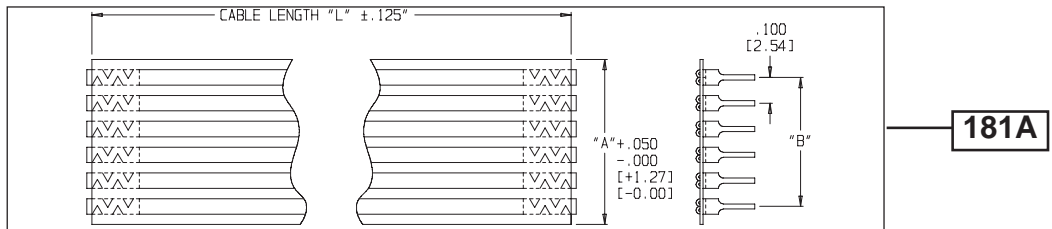
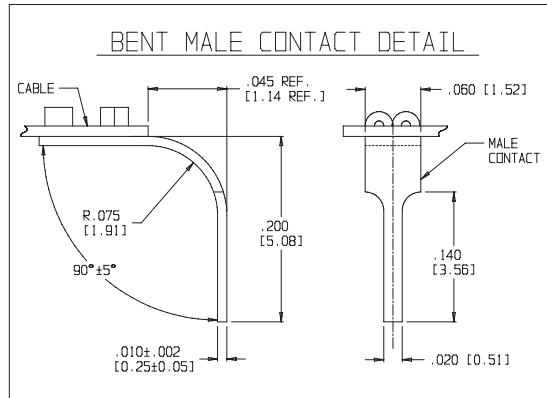
EUROPE
TEL: +44 870 240 0249
FAX: +44 871 919 6033
europe@arieselec.com



11019
REV.H
Page
1 of 3



Series 181 Thru 183 90° Pin Staked Flex Jumpers



ARIES[®]
ELECTRONICS, INC.
http://www.arieselec.com • info@arieselec.com

NORTH AMERICA
Frenchtown, NJ USA
TEL: (908) 996-6841
FAX: (908) 996-3891



EUROPE
TEL: +44 870 240 0249
FAX: +44 871 919 6033
europe@arieselec.com

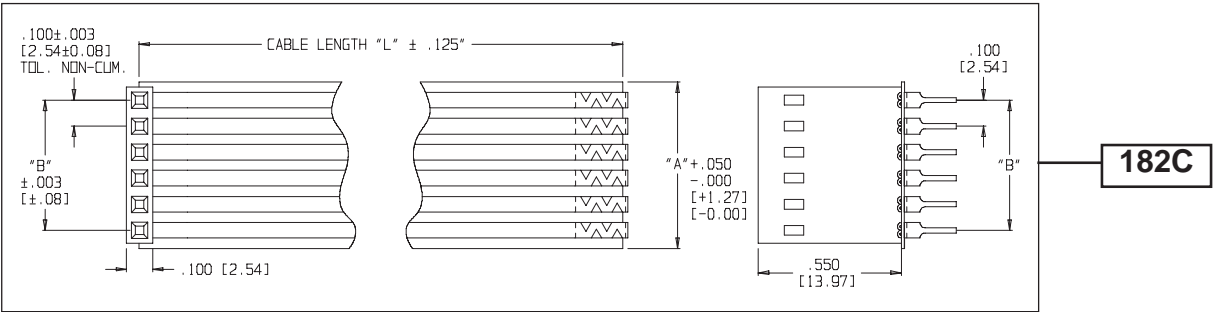


11019
REV. H
Page 2
of 3

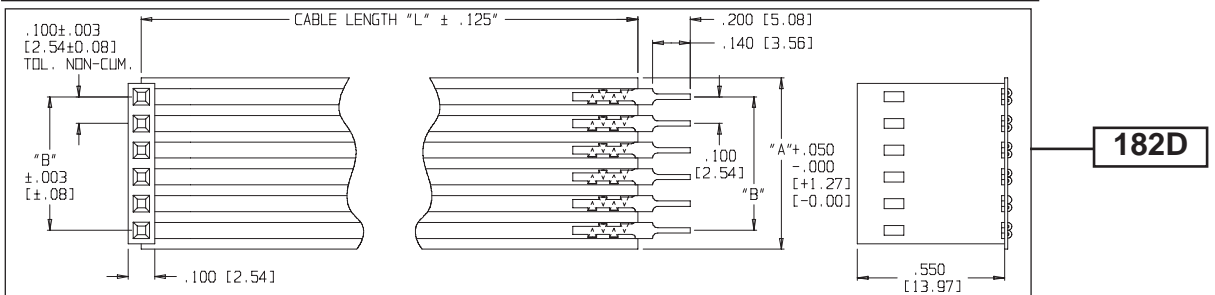


Series 181 Thru 183

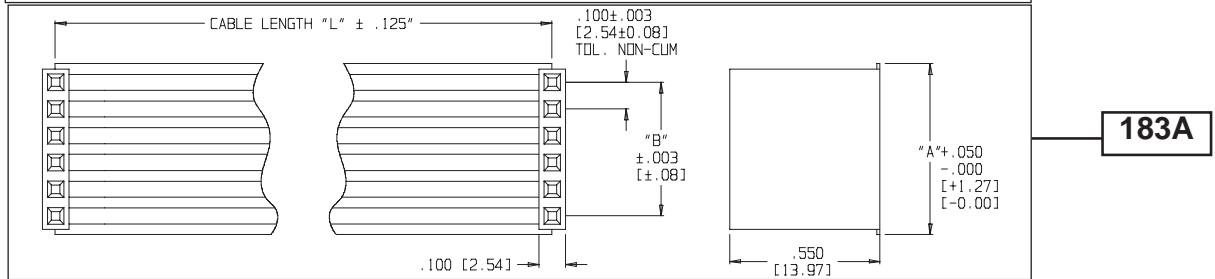
90° Pin Staked Flex Jumpers



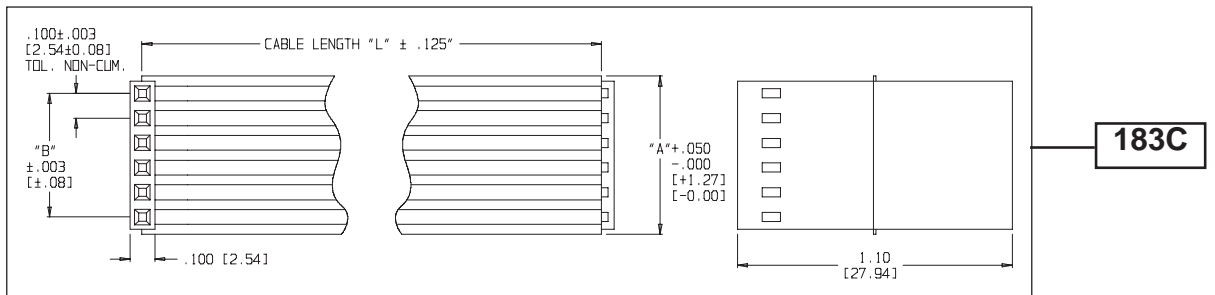
182C



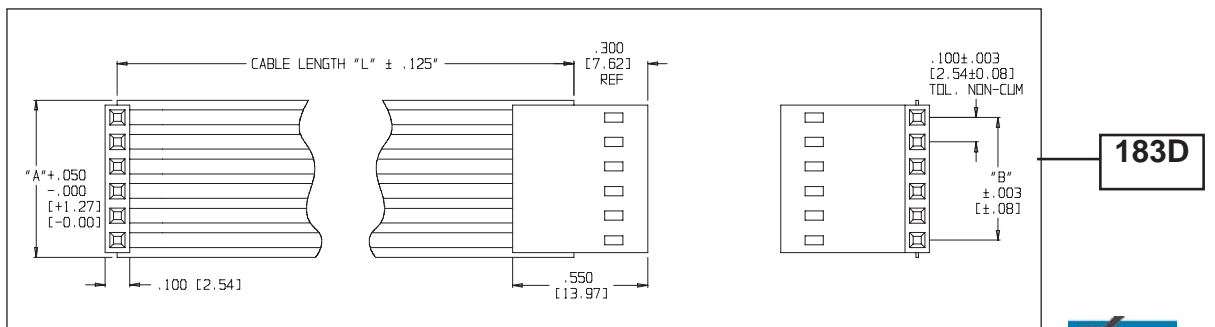
182D



183A



183C



183D

ARIES[®]
ELECTRONICS, INC.
<http://www.arieselec.com> • info@arieselec.com

NORTH AMERICA
Frenchtown, NJ USA
TEL: (908) 996-6841
FAX: (908) 996-3891



EUROPE
TEL: +44 870 240 0249
FAX: +44 871 919 6033
europa@arieselec.com



11019
REV. H
Page 3
of 3