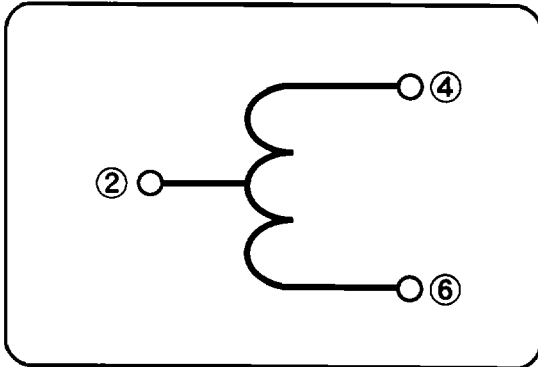


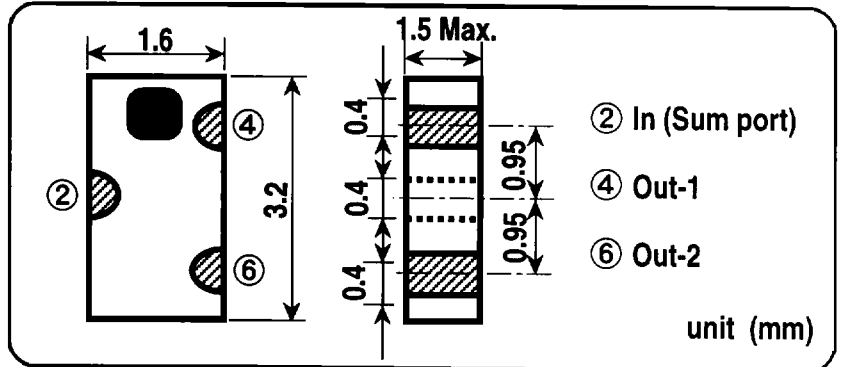
**200 / 300 MHz Band Chip 0 deg. Splitter / Combiner**

**Model No. STH-24R-2**

**Equivalent Circuits**



**Shape & Size**



**Specifications**

Frequency Range(MHz)	Matching Capacitor	Insertion Loss	Isolation	Return Loss	Handling Power	Temperature Range
250-280	8pF	1dB Max. (0.3dB Typ.) *1	12dB Min. (18dB Typ.)	9.5dB Min. (17.7dB Typ.)	1W Max.	-35 ~ +85 °C

\*1 Not include Splitting Loss (3dB)

**Measurement Circuit**

