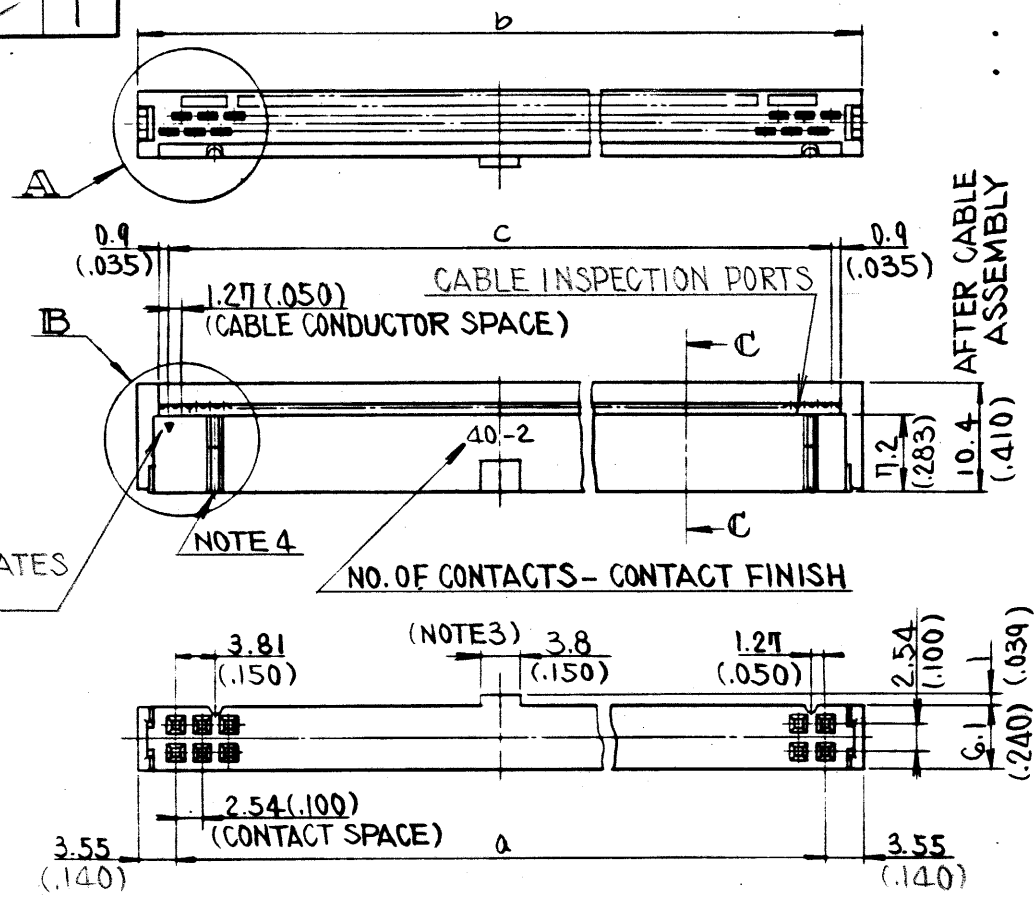


SJ017714-E 1



**NOTE 1, CONTACT FINISH**

	1	2	3	4
MATING PORTION	GOLD FLASH	GOLD, 10 MICROINCHES OVER NICKEL	GOLD, 30 MICROINCHES OVER NICKEL	GOLD, 20 MICROINCHES OVER NICKEL
OTHER AREA	GOLD FLASH	GOLD FLASH	GOLD FLASH	GOLD FLASH

- 2, COVER WILL BE SUPPLIED PARTIALLY ASSEMBLED TO THE HOUSING AS SHOWN.
- 3, THE POLARIZING KEY IS NON-EXISTENT ON THE 10 POSITION CONNECTOR.
- 4, THE POLARIZING FEATURE ON THIS END IS NON-EXISTENT ON THE 10 POSITION CONNECTOR.

**IDENTIFICATION**

**PS-50SM-D4P1-\*C**

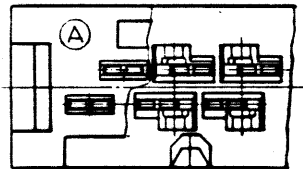
SERIES PREFIX	COVER CONFIGURATION
NO. OF CONTACTS (SEE TABLE 1)	C-CLOSED END TYPE
TYPE OF CONNECTOR	CONTACT FINISH (SEE NOTE 1)
S-SOCKET CONTACT RESEPTACLE	APPLICABLE WIRE SIZE
CONTACT CONFIGURATION	1-AWG 28 STRANDED AND SOLID
CONTACT ROW D-DOUBLE	TYPE OF TERMINATION
CONTACT SPACE 4-2.54(.100)	P-SELF PIERCING (INSULATION DISPLACEMENT)

**TABLE 1. PART NO., NO. OF CONTACTS AND DIMENSIONS**

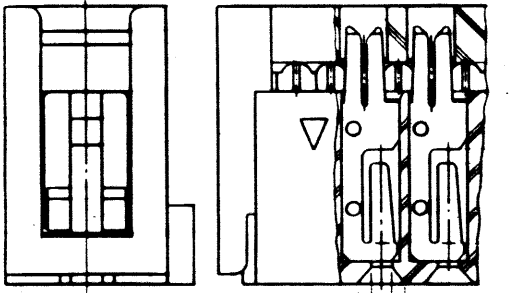
PART NO.	NO. OF CONTACTS	DIMENSIONS		
		a	b	c
PS-10SM-D4PI-*C	10	10.16 (.400)	17.26 (.680)	11.43 (.450)
↑ 16 ↑	↑ 16 ↑	17.78 (.700)	24.88 (.980)	19.05 (.750)
20	20	22.86 (.900)	29.96 (1.180)	24.13 (.950)
26	26	30.48 (1.200)	37.58 (1.480)	31.75 (1.250)
30	30	35.56 (1.400)	42.66 (1.680)	36.83 (1.450)
34	34	40.64 (1.600)	47.74 (1.880)	41.91 (1.650)
40	40	48.26 (1.900)	55.36 (2.180)	49.53 (1.950)
↓ 50 ↓	↓ 50 ↓	60.96 (2.400)	68.06 (2.680)	62.23 (2.450)
PS-60SM-D4PI-*C	60	73.66 (2.900)	80.76 (3.180)	74.93 (2.950)

APPLICABLE FLAT RIBBON CABLES.  
 CONDUCTOR AWG 28 STRANDED AND SOLID.  
 INSULATION P.V.C. MAXIMUM THICKNESS: 1.1 (.044)  
 MATING PIN  
 CROSS SECTION: 0.64 (.025) SQ. OR 0.64 (.025) DIA.  
 LENGTH 6~7 (.236~.276)

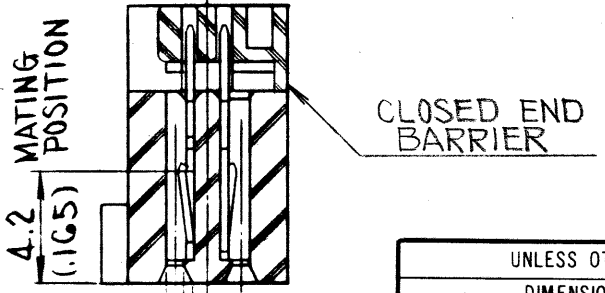
**DETAIL A**



**DETAIL B**



**SECTION C-C**



3	HOUSING	1	P.B.T	NONE	UL94V-0
2	COVER	1	P.B.T	NONE	UL94V-0
1	CONTACT	SEE TABLE 1	BERYLLIUM COPPER	SEE NOTE 1.	

UNLESS OTHERWISE SPECIFIED			DATE	20.JAN.1983	TITLE	<b>PS-50SM-D4P1-JAE-CONNECTOR.COM</b> <b>SOCKET RECEPTACLE</b> <b>CLOSED END TYPE</b>	JAPAN AVIATION ELECTRONICS IND. CO., LTD. FACTORY NARAGAMI-CHO, AKISHIMA-SHI TOKYO, JAPAN
DIMENSIONS ARE IN MILLIMETERS			DRAWN	H. Tsuchiya	SCALE NONE    DWG. SIZE B    WT.		
TOLERANCES ON: (INCHES)			CHECKED	<i>[Signature]</i>			
FRACTIONS	DECIMALS	ANGLES	APP'D	<i>[Signature]</i>			
		3rd	APP'D	<i>[Signature]</i>			
TREATMENT OR FINISH						DWG. NO.	SJ017714-E
NEXT ASS'Y	USED ON	NEXT ASS'Y	FINAL ASS'Y			SHEET	