

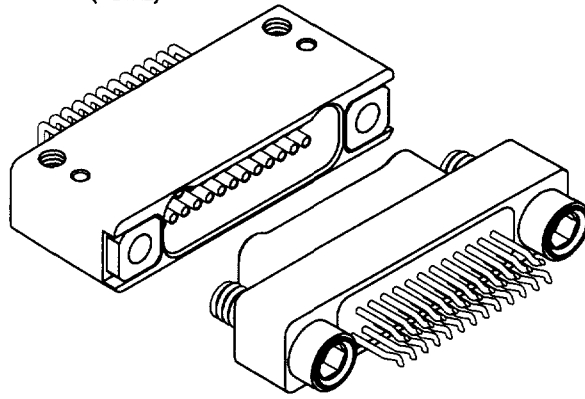
**2 · ROW  
FLEX TO  
BOARD**

.025"

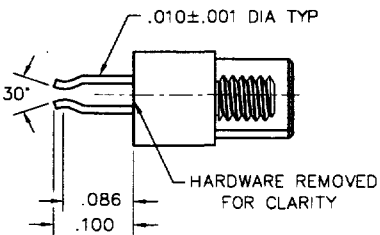
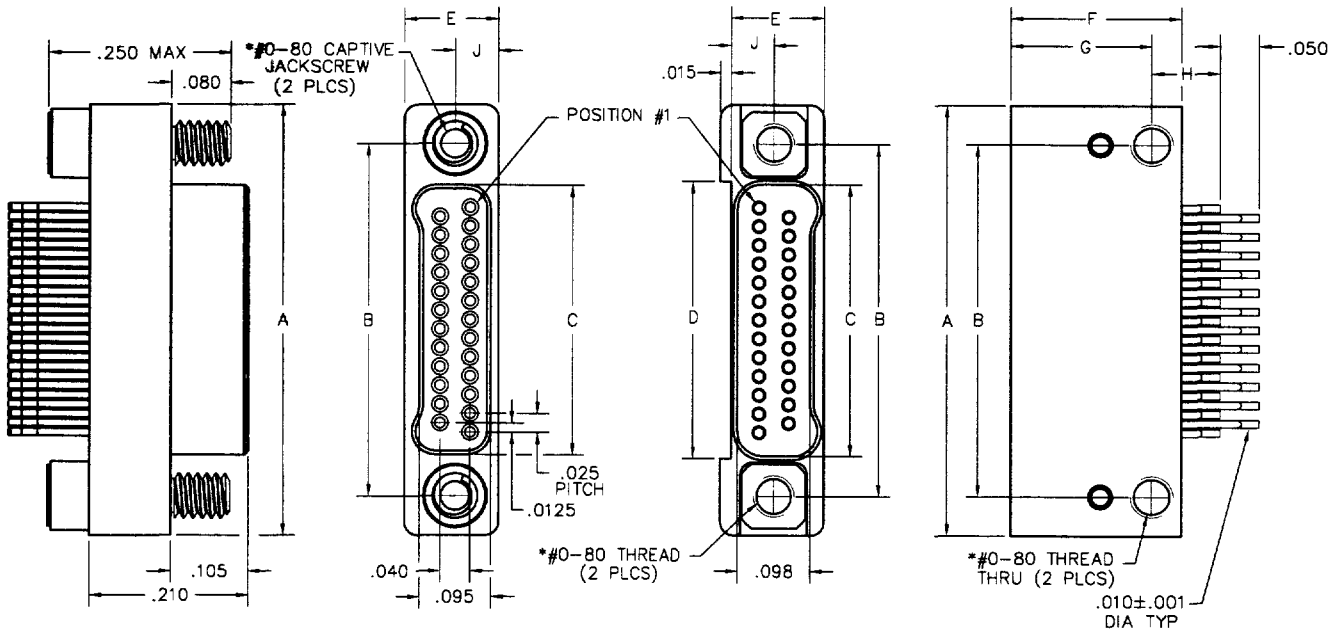
**NM, NK**

9 thru 85 Contacts

NK-2D2-025-225-TH00  
(METAL)



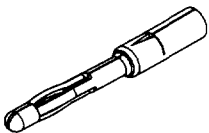
NM-212-025-125-JC00  
(METAL)



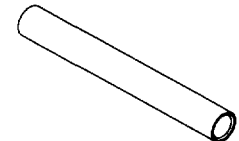
PLUG

RECEPTACLE

SIZE	A	B	C		D	E	F	G	H	J	*HARDWARE
			PLUG	RCPT							
9	.375	.270	.160	.163	.170						
15	.450	.345	.235	.238	.245						
21	.525	.420	.310	.313	.320						
25	.575	.470	.360	.363	.370						
31	.650	.545	.435	.438	.445	.125	.225	.187	.087	.0575	#0-80 THREAD
37	.725	.620	.510	.513	.520						
51	.900	.795	.685	.688	.695						
65	1.075	.970	.860	.863	.870						
69	1.125	1.020	.910	.913	.920						
85	1.377	1.246	1.110	1.113	1.120	.150	.255	.203	.102	.0700	#2-56 THREAD



PIN CONTACT  
3 TINE SPRING MEMBER, CRIMP



SOCKET CONTACT  
MACHINED TUBE, CRIMP

**PLUG:** NM-212-025-125-JC00  
**RECEPTACLE:** NK-2D2-025-225-TH00  
 XX-XXX-XXX-XXX-XXXX

PLUG		RECEPTACLE	
<b>SERIES</b>			
NM .025" Metal Straddle Mount Flex Connector		NK .025" Metal PC Board Mounted Connector	
<b>BODY</b>			
2	2-Row	2	2-Row
1	Plug, straight	BODY STYLE: D Receptacle, horizontal mount SMT	
BODY MATERIAL:		BODY MATERIAL:	
2	Liquid Crystal Polymer w/ electroless nickel shell	2	Liquid Crystal Polymer w/ electroless nickel shell
3	Liquid Crystal Polymer w/ electrodeposited cadmium shell	3	Liquid Crystal Polymer w/ electrodeposited cadmium shell
<b>SIZE</b>			
XXX Number of contacts (009, 015, 021, 025, 031, 037, 051, 065, 069 or 085)		XXX Number of contacts (009, 015, 021, 025, 031, 037, 051, 065, 069 or 085)	
<b>CONTACTS</b>			
TYPE CONTACTS/TERMINATIONS:		TYPE CONTACTS/TERMINATIONS:	
12	Pin, straddle SMT	22	Socket, SMT
PLATING OPTIONS:		PLATING OPTIONS:	
5	50 u" Au contacts; 100 u" Sn terminations	5	50 u" Au contacts; 100 u" Sn terminations
<b>HARDWARE</b>			
STYLE OF HARDWARE:		STYLE OF HARDWARE:	
00	None	00	None
JC	Turning jackscrews, captivated #0-80*	TH	Threaded hole, #0-80 UNF*
WIRING OPTIONS:		WIRING OPTIONS:	
00	None	00	None

\* = #2-56 thread on 85 position connectors