

**DIP SOCKET**

**SPECIFICATIONS**

**Mechanical**

Contact Retention Force: 1N (TYP.)

**Electrical**

**Electrical**

Voltage Rating: 1000V

Current Rating: 1A

Dielectrical Withstanding Voltage: 1000V

Insulation Resistance: 1000MΩ min.

**Physical**

Housing: HTN, UL 94-0, Black

Contact: Brass & Beryllium Copper

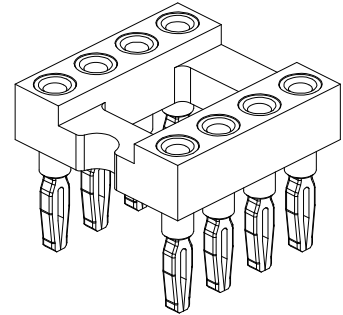
Plating: See "ORDERING INFORMATION"

Operating Temperature: -55°C to +125°C

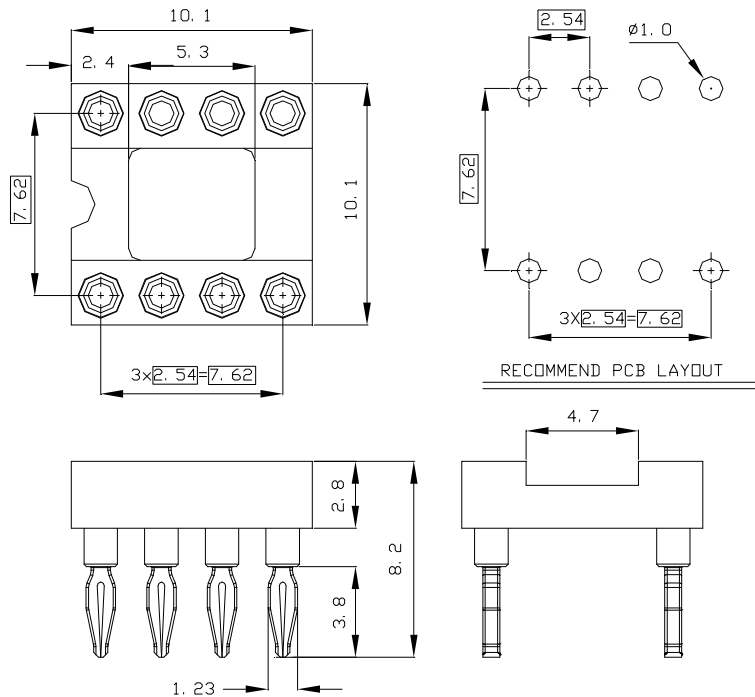
**GA Series**

DIP Socket, Press Fit

8Position, 2.54mm Pitch



**DRAWING**



**ORDERING INFORMATION**

PRODUCT NO.: GA108\*-P210-AN

