

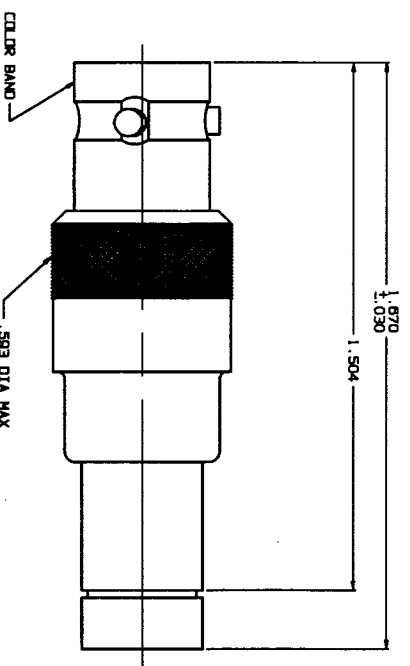
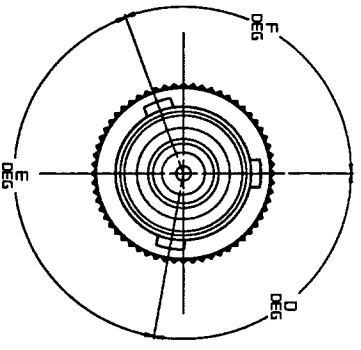
DSBY NO	CABLES	ASSEMBLE PER
-201	M17/17B-00002	
-202	TWC-7B-1	
-203	TWC-124-1A	
-204	10602, RAYCHEM	
-205	TWAC-7B-1F2	
-206	782600130, RAYCHEM	
-207	83310, BELDEN	
-208	202-3827, MICRODOT	
-209	202-3842, MICRODOT	
-210	B451, BELDEN	
-211	202-3834, MICRODOT	
-212	2524E0114, RAYCHEM	
-213	TWC-7B-2	
-214	TWC-124-2	
-215	BL982, TIMES	
-216	BL1242, TIMES	
-217	GG731264H, GRUMMAN	
-218	EG7221899, RAYCHEM	
-219	252801114, RAYCHEM	
-220	GG758R1, GRUMMAN	
-221	10814, RAYCHEM	
-222	10813, RAYCHEM	
-223	HMS2-1149, HUGHES	
-224	TWCF-124-3	
-225	PS66SR, PRIME STOCK	

MILITARY PART NO (FNU)	MILITARY CABLE PART NO	TROMPETER PART NO (SEE TABLE 1)
M48142/08-0018	M17/45-RG108	MCJ70MC-213
M48142/08-0216	M17/45-RG108	MCJ70MC-213
M48142/08-0017	M17/17B-00002	MCJ70MC-201
M48142/08-0117	M17/17B-00002	MCJ70MC-201
M48142/08-0217	M17/17B-00002	MCJ70MC-201

REV	ED	DESCRIPTION	DWN	APPROVED	DATE
1	A	PRODUCTION RELEASE	TCS		

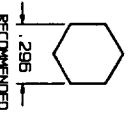
REV	ED	DESCRIPTION	DWN	APPROVED	DATE
1	A	PRODUCTION RELEASE	TCS		

REV	ED	DESCRIPTION	DWN	APPROVED	DATE
1	A	PRODUCTION RELEASE	TCS		



WHEN CONNECTOR IS SUPPLIED TO MILITARY PART NO (SEE TABLE 2):

- ALL PARTS NORMALLY PLATED TFS-1A OR TFS-1U (NICKEL) ARE TO BE PLATED TFS-1M (SILVER) AND 1498B
- MARK PART WITH MILITARY PIN (SEE TABLE 2)
- QUALITY PERFORMANCE INSPECTION SHALL BE PER MIL-C-48142 SECTION 4.5
- EXAMPLE OF COMPLETE MODEL NO:
 - CJ70MC T - 201
 - BASIC MODEL NO -
 - POLARIZATION LETTER
 - POLARIZATION (SEE TABLE 3)
 - POLARIZATION (SEE TABLE 1)
 - CABLE GROUP DASH NO
- CONCENTRIC TWINAX 3-PLG TR8, MILITARY FULL CRIMP CABLE RECEPTACLE
- FINISH: TFS-1A (NICKEL)
- ALL DIMENSIONS ARE IN INCHES



RECOMMENDED HEX GRIP SCALE: 2/1

CONTROL STAMP
 If this stamp is not red, this document is for reference only

REV	ED	DESCRIPTION	DWN	APPROVED	DATE
1	A	PRODUCTION RELEASE	TCS		

REV	ED	DESCRIPTION	DWN	APPROVED	DATE
1	A	PRODUCTION RELEASE	TCS		

REV	ED	DESCRIPTION	DWN	APPROVED	DATE
1	A	PRODUCTION RELEASE	TCS		

REV	ED	DESCRIPTION	DWN	APPROVED	DATE
1	A	PRODUCTION RELEASE	TCS		

REV	ED	DESCRIPTION	DWN	APPROVED	DATE
1	A	PRODUCTION RELEASE	TCS		

REV	ED	DESCRIPTION	DWN	APPROVED	DATE
1	A	PRODUCTION RELEASE	TCS		

REV	ED	DESCRIPTION	DWN	APPROVED	DATE
1	A	PRODUCTION RELEASE	TCS		

REV	ED	DESCRIPTION	DWN	APPROVED	DATE
1	A	PRODUCTION RELEASE	TCS		

REV	ED	DESCRIPTION	DWN	APPROVED	DATE
1	A	PRODUCTION RELEASE	TCS		

REV	ED	DESCRIPTION	DWN	APPROVED	DATE
1	A	PRODUCTION RELEASE	TCS		

REV	ED	DESCRIPTION	DWN	APPROVED	DATE
1	A	PRODUCTION RELEASE	TCS		

REV	ED	DESCRIPTION	DWN	APPROVED	DATE
1	A	PRODUCTION RELEASE	TCS		

REV	ED	DESCRIPTION	DWN	APPROVED	DATE
1	A	PRODUCTION RELEASE	TCS		

REV	ED	DESCRIPTION	DWN	APPROVED	DATE
1	A	PRODUCTION RELEASE	TCS		

REV	ED	DESCRIPTION	DWN	APPROVED	DATE
1	A	PRODUCTION RELEASE	TCS		

REV	ED	DESCRIPTION	DWN	APPROVED	DATE
1	A	PRODUCTION RELEASE	TCS		

REV	ED	DESCRIPTION	DWN	APPROVED	DATE
1	A	PRODUCTION RELEASE	TCS		

REV	ED	DESCRIPTION	DWN	APPROVED	DATE
1	A	PRODUCTION RELEASE	TCS		

REV	ED	DESCRIPTION	DWN	APPROVED	DATE
1	A	PRODUCTION RELEASE	TCS		

REV	ED	DESCRIPTION	DWN	APPROVED	DATE
1	A	PRODUCTION RELEASE	TCS		

REV	ED	DESCRIPTION	DWN	APPROVED	DATE
1	A	PRODUCTION RELEASE	TCS		

REV	ED	DESCRIPTION	DWN	APPROVED	DATE
1	A	PRODUCTION RELEASE	TCS		

REV	ED	DESCRIPTION	DWN	APPROVED	DATE
1	A	PRODUCTION RELEASE	TCS		

REV	ED	DESCRIPTION	DWN	APPROVED	DATE
1	A	PRODUCTION RELEASE	TCS		

REV	ED	DESCRIPTION	DWN	APPROVED	DATE
1	A	PRODUCTION RELEASE	TCS		

REV	ED	DESCRIPTION	DWN	APPROVED	DATE
1	A	PRODUCTION RELEASE	TCS		

REV	ED	DESCRIPTION	DWN	APPROVED	DATE
1	A	PRODUCTION RELEASE	TCS		

REV	ED	DESCRIPTION	DWN	APPROVED	DATE
1	A	PRODUCTION RELEASE	TCS		

REV	ED	DESCRIPTION	DWN	APPROVED	DATE
1	A	PRODUCTION RELEASE	TCS		

REV	ED	DESCRIPTION	DWN	APPROVED	DATE
1	A	PRODUCTION RELEASE	TCS		

REV	ED	DESCRIPTION	DWN	APPROVED	DATE
1	A	PRODUCTION RELEASE	TCS		

REV	ED	DESCRIPTION	DWN	APPROVED	DATE
1	A	PRODUCTION RELEASE	TCS		

REV	ED	DESCRIPTION	DWN	APPROVED	DATE
1	A	PRODUCTION RELEASE	TCS		

REV	ED	DESCRIPTION	DWN	APPROVED	DATE
1	A	PRODUCTION RELEASE	TCS		

REV	ED	DESCRIPTION	DWN	APPROVED	DATE
1	A	PRODUCTION RELEASE	TCS		

REV	ED	DESCRIPTION	DWN	APPROVED	DATE
1	A	PRODUCTION RELEASE	TCS		

REV	ED	DESCRIPTION	DWN	APPROVED	DATE
1	A	PRODUCTION RELEASE	TCS		

REV	ED	DESCRIPTION	DWN	APPROVED	DATE
1	A	PRODUCTION RELEASE	TCS		

REV	ED	DESCRIPTION	DWN	APPROVED	DATE
1	A	PRODUCTION RELEASE	TCS		

REV	ED	DESCRIPTION	DWN	APPROVED	DATE
1	A	PRODUCTION RELEASE	TCS		

REV	ED	DESCRIPTION	DWN	APPROVED	DATE
1	A	PRODUCTION RELEASE	TCS		

REV	ED	DESCRIPTION	DWN	APPROVED	DATE
1	A	PRODUCTION RELEASE	TCS		

REV	ED	DESCRIPTION	DWN	APPROVED	DATE
1	A	PRODUCTION RELEASE	TCS		

REV	ED	DESCRIPTION	DWN	APPROVED	DATE
1	A	PRODUCTION RELEASE	TCS		

REV	ED	DESCRIPTION	DWN	APPROVED	DATE
1	A	PRODUCTION RELEASE	TCS		

REV	ED	DESCRIPTION	DWN	APPROVED	DATE
1	A	PRODUCTION RELEASE	TCS		

REV	ED	DESCRIPTION	DWN	APPROVED	DATE
1	A	PRODUCTION RELEASE	TCS		

REV	ED	DESCRIPTION	DWN	APPROVED	DATE
1	A	PRODUCTION RELEASE	TCS		

REV	ED	DESCRIPTION	DWN	APPROVED	DATE
1	A	PRODUCTION RELEASE	TCS		

REV	ED	DESCRIPTION	DWN	APPROVED	DATE
1	A	PRODUCTION RELEASE	TCS		

REV	ED	DESCRIPTION	DWN	APPROVED	DATE
1	A	PRODUCTION RELEASE	TCS		

REV	ED	DESCRIPTION	DWN	APPROVED	DATE
1	A	PRODUCTION RELEASE	TCS		

REV	ED	DESCRIPTION	DWN	APPROVED	DATE
1	A	PRODUCTION RELEASE	TCS		

REV	ED	DESCRIPTION	DWN	APPROVED	DATE
1	A	PRODUCTION RELEASE	TCS		

REV	ED	DESCRIPTION	DWN	APPROVED	DATE
1	A	PRODUCTION RELEASE	TCS		

REV	ED	DESCRIPTION	DWN	APPROVED	DATE
1	A	PRODUCTION RELEASE	TCS		

REV	ED	DESCRIPTION	DWN	APPROVED	DATE
1	A	PRODUCTION RELEASE	TCS		

REV	ED	DESCRIPTION	DWN	APPROVED	DATE
1	A	PRODUCTION RELEASE	TCS		

REV	ED	DESCRIPTION	DWN	APPROVED	DATE
1	A	PRODUCTION RELEASE	TCS		

REV	ED	DESCRIPTION	DWN	APPROVED	DATE
1	A	PRODUCTION RELEASE	TCS		

REV	ED	DESCRIPTION	DWN	APPROVED	DATE
1	A	PRODUCTION RELEASE	TCS		

REV	ED	DESCRIPTION	DWN	APPROVED	DATE
1	A	PRODUCTION RELEASE	TCS		

REV	ED	DESCRIPTION	DWN	APPROVED	DATE
1	A	PRODUCTION RELEASE	TCS		

REV	ED	DESCRIPTION	DWN	APPROVED	DATE
1	A	PRODUCTION RELEASE	TCS		

REV	ED	DESCRIPTION	DWN	APPROVED	DATE
1	A	PRODUCTION RELEASE	TCS		

REV	ED	DESCRIPTION	DWN	APPRO
-----	----	-------------	-----	-------