



SYNCHRO/RESOLVER/INDUCTOSYN® REFERENCE OSCILLATOR

DESCRIPTION

The OSC-15802 is a power oscillator with two outputs that are 90° out of phase. These outputs provide both the reference and quadrature signals, simultaneously, making the OSC-15802 ideally suited for synchro, resolver, Linear Variable Differential Transformer (LVDT), Rotary Variable Differential Transformer (RVDT) and Inductosyn applications.

The oscillator's outputs are pin-programmable for both frequency and amplitude. The output frequency can be programmed from 400 Hz to 10 kHz by simply connecting two exter-

nal capacitors. The Reference output voltage, 7 V_{rms}, can be scaled down by connecting a single resistor.

APPLICATIONS

Packaged in an 18-pin hermetic DDIP, the OSC-15802 operates over a temperature range of -55°C to +125°C. This, combined with its small size and programmable output voltage and frequency capabilities, makes it an excellent choice for synchro, resolver, LVDT, RVDT and Inductosyn applications.

FEATURES

- **ADI Alternate Source**
- **Quadrature Reference Output Voltages for Inductosyn Applications**
- **Programmable Output Frequency to 10 kHz**
- **Small 18-Pin DDIP**
- **Scalable Reference Output**
- **-55°C to +125°C Operating Temperature Range**

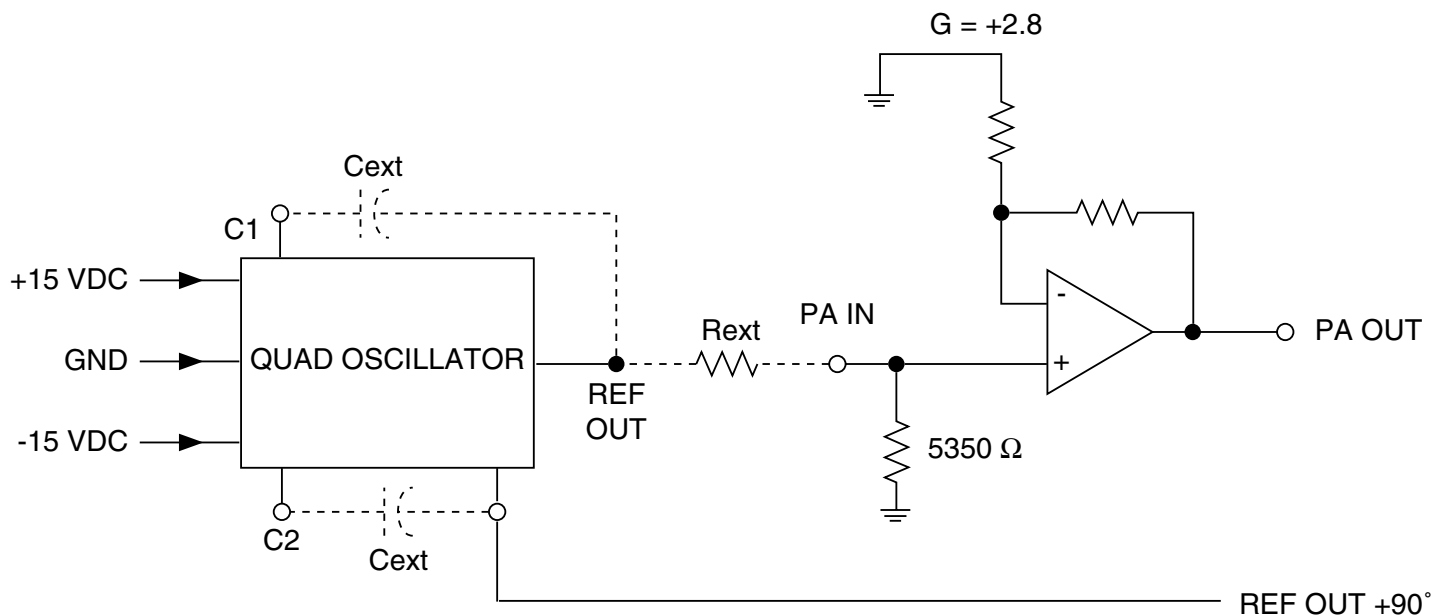


FIGURE 1. OSC-15802 BLOCK DIAGRAM

TABLE 1. OSC-15802 SPECIFICATIONS		
Specifications apply over temperature range and power supply range.		
PARAMETER	UNITS	VALUE
FREQUENCY	Hz	Programmable from 400 to 10k
OUTPUTS		
PA OUT		
Voltage	V rms	7 ±1% for 2.5 V PA input
Current	mA rms	190mA rms max
REF		
Voltage	V rms	2.5 ±10%
Current	mA rms	continuous current 3mA rms max
REF +90°		
Voltage	V rms	2.5 ±10%
Current	mA rms	continuous current 3mA rms max. Momentary short circuit and transient proof (1 sec. max.)
Protection		
POWER SUPPLIES		
Voltage	Vdc	±15 ±5%
Current	mA	20 max plus current load
Max Voltage without damage	Vdc	±18
TEMPERATURE RANGE		
Operating		
-10X	°C	-55 to +125
-30X	°C	0 to +70
Storage	°C	-65 to +150
PHYSICAL CHARACTERISTICS		
Size	in (mm)	1.0 x 0.8 x 0.2 (25.45 x 20.32 x 4.83) 18 pin DDIP
Weight (Max)	oz (gm)	0.4 (11.3)

PROGRAMMABLE FREQUENCY OUTPUT

The output frequency of the OSC-15802 is programmable to 10 kHz. The frequency is programmed using two external equal value capacitors (see FIGURE 2). The value of the capacitors (C_{ext}) is calculated as follows:

$$C_{ext} = \frac{107}{f}$$

where: C_{ext} is capacitance in picofarads (use NPO ceramic),
f is frequency in Hertz.

To scale down the PA OUT voltage, an external resistor (R_{ext}) is connected between pins 3 and 7. The value of R_{ext} is calculated as follows:

$$R_{ext} = \frac{37.5}{V_{out}} - 5.35$$

where: R_{ext} is in kOhms,

V_{out} is the desired voltage in Vrms.

For connection to converters connect as follows:

Ref Lo (RL) connect to pin 16

Ref Hi (RH) connect to pin 13 or 12.

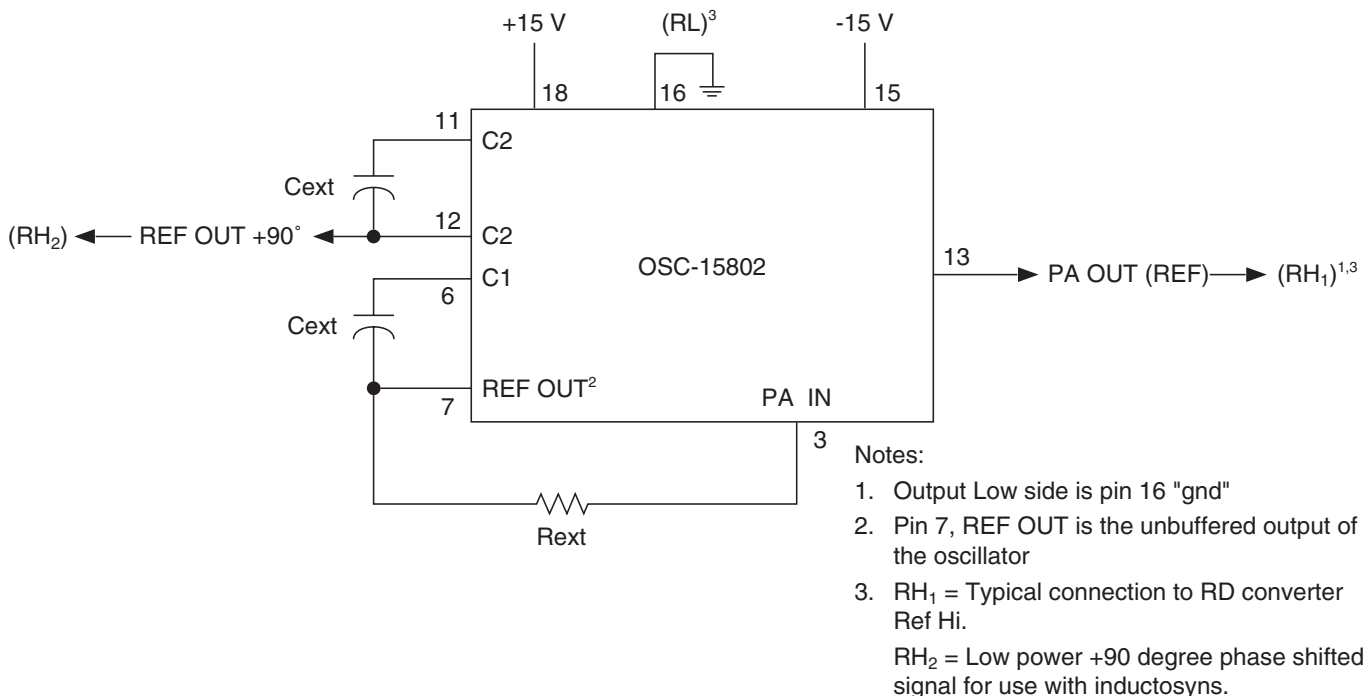


FIGURE 2. PROGRAMMING RESISTOR AND CAPACITOR CONNECTIONS

INDUCTOSYN® TYPICAL CONNECTION

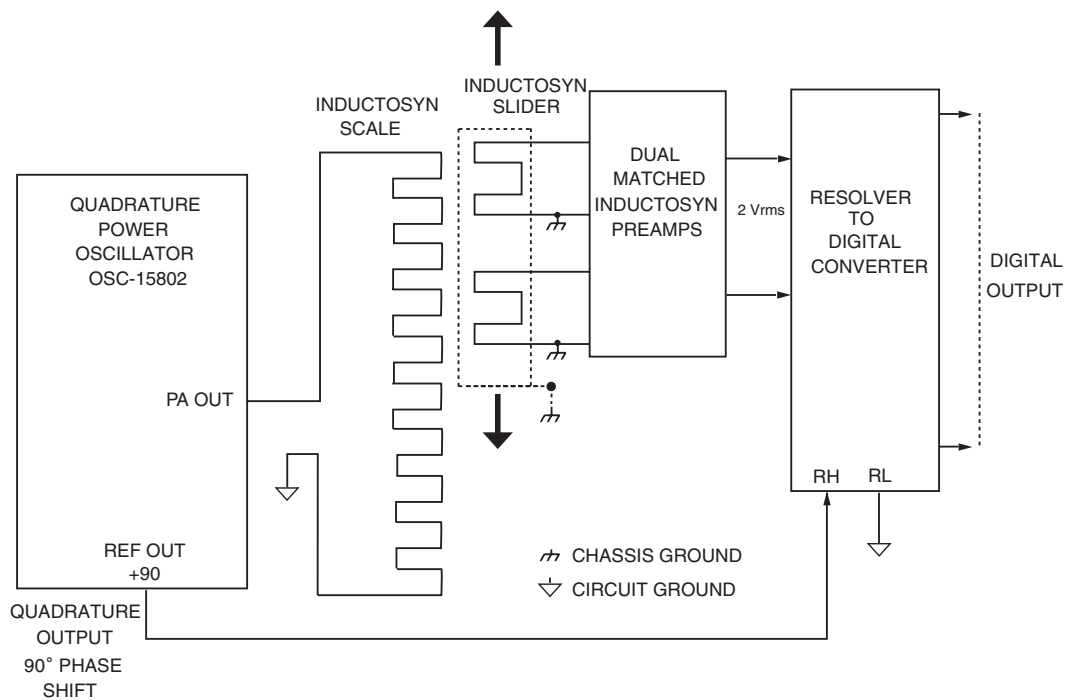
A linear or rotary Inductosyn® consists of a slider and a scale. As the slider moves over the scale there is a low voltage electrical output proportional to the distance moved. Inductosyns usually are excited by a 5 kHz to 20 kHz frequency. The OSC-15802 is an oscillator that was designed with a high frequency output and a +90° phase shift, which is needed for Inductosyn®-to-digital conversion (see figure below).

The figure below will convert each pitch to 360° of digital data. A means to track counts will be needed for multiple pitches. Using an RD-19230 and A quad B zero index pulse for counting pitches is one possible solution.

Note that inductosyns typically have a + or - 90 degree phase shift from input to output. This requires an oscillator with a 90 degree phase shifted second output to be connected to the RD converter reference so that the RD input and reference will now be in phase.

DDC has two oscillators to cover the +90 or -90 phase shift needed. See the OSC-15801 for -90 phase shift and the OSC-15802 for +90 phase shift.

Note: See DDC's Synchro/Resolver Conversion Handbook "Using an R/D with an inductosyn" for further information.



INDUCTOSYN®-TO-DIGITAL CONVERTER SYSTEM

TABLE 2. OSC-15802 PIN FUNCTIONS		
PIN	NAME	FUNCTION
1	NC	No connection
2	NC	No connection
3	PA IN	Power amplifier input
4	NC	No connection
5	NC	No connection
6	C1	Capacitor connection (pin-programmable freq)
7	REF OUT	Reference Output
8	NC	No connection
9	NC	No connection
10	NC	No connection
11	C2	Capacitor connection (pin-programmable freq)
12	REF OUT +90°	+90° reference output signal
13	PA OUT	Power amplifier output
14	NC	No connection
15	-15 V	-15 Vdc power supply voltage
16	GND	Ground
17	NC	No connection
18	+15 V	+15 Vdc power supply voltage

Note : NC pins have no connection in package.

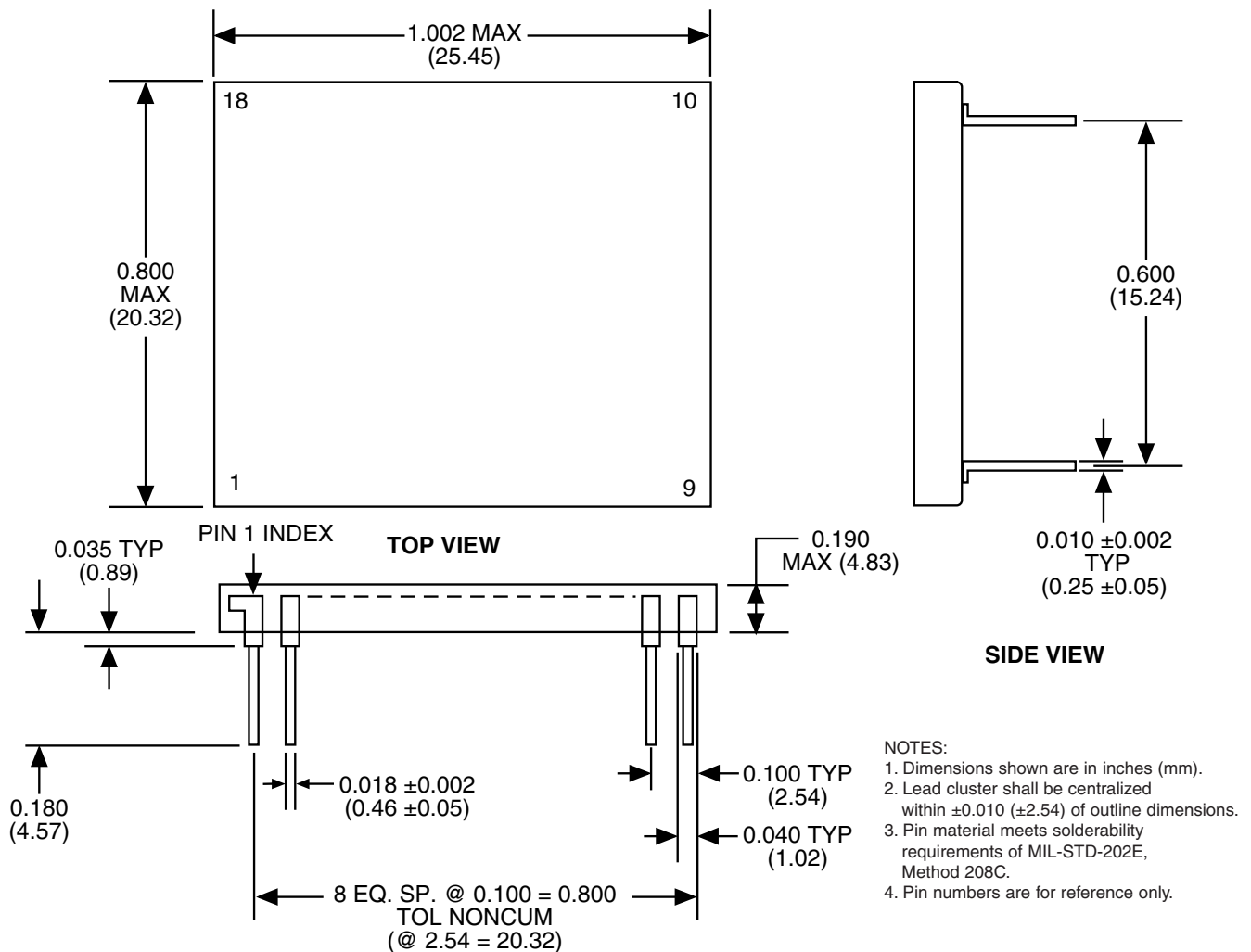


FIGURE 3. OSC-15802 MECHANICAL OUTLINE

ORDERING INFORMATION

OSC-15802- X X 0 X

Supplemental Process Requirements:

S = Pre-Cap Source Inspection

L = Pull Test

Q = Pull Test and Pre-Cap Inspection

Blank = None of the Above

Process Requirements:

0 = Standard DDC Processing, no Burn-In

1 = MIL-PRF-38534 Compliant³

2 = B¹

3 = MIL-PRF-38534 Compliant with PIND Testing³

4 = MIL-PRF-38534 Compliant with Solder Dip^{2,3}

5 = MIL-PRF-38534 Compliant with PIND Testing and Solder Dip^{2,3}

6 = B¹ with PIND Testing

7 = B¹ with Solder Dip²

8 = B¹ with PIND Testing and Solder Dip²

9 = Standard DDC Processing with Solder Dip, no Burn-In

Temperature Grade/Data Requirements:

1 = -55°C to +125°C

2 = -40°C to +85°C

3 = 0°C to +70°C

4 = -55°C to +125°C with Variables Test Data

5 = -40°C to +85°C with Variables Test Data

8 = 0°C to +70°C with Variables Test Data

Notes:

- Standard DDC processing with burn-in and full temperature test. See table below.
- These products contain tin-lead solder finish as applicable to solder dip requirements.
- MIL-PRF-38534 product grading is designated with the following dash numbers:
 Class H is a -11X, 13X, 14X, 15X, 41X, 43X, 44X, 45X
 Class G is a -21X, 23X, 24X, 25X, 51X, 53X, 54X, 55X
 Class D is a -31X, 33X, 34X, 35X, 81X, 83X, 84X, 85X

STANDARD DDC PROCESSING FOR HYBRID AND MONOLITHIC HERMETIC PRODUCTS		
TEST	MIL-STD-883	
	METHOD(S)	CONDITION(S)
INSPECTION	2009, 2010, 2017, and 2032	—
SEAL	1014	A and C
TEMPERATURE CYCLE	1010	C
CONSTANT ACCELERATION	2001	3000g
BURN-IN	1015 ^(Note 1) 1030 ^(Note 2)	TABLE 1

Notes:

- For Process Requirement "B*" (refer to ordering information), devices may be non-compliant with MIL-STD-883, Test Method 1015, Paragraph 3.2. Contact factory for details.
- When applicable.

The information in this data sheet is believed to be accurate; however, no responsibility is assumed by Data Device Corporation for its use, and no license or rights are granted by implication or otherwise in connection therewith. Specifications are subject to change without notice.

Please visit our web site at www.ddc-web.com for the latest information.



105 Wilbur Place, Bohemia, New York, U.S.A. 11716-2426

For Technical Support - 1-800-DDC-5757 ext. 7771

Headquarters, N.Y., U.S.A. - Tel: (631) 567-5600, Fax: (631) 567-7358

Southeast, U.S.A. - Tel: (703) 450-7900, Fax: (703) 450-6610

West Coast, U.S.A. - Tel: (714) 895-9777, Fax: (714) 895-4988

United Kingdom - Tel: +44-(0)1635-811140, Fax: +44-(0)1635-32264

France - Tel: +33-(0)1-41-16-3424, Fax: +33-(0)1-41-16-3425

Germany - Tel: +49-(0)8141-349-087, Fax: +49-(0)8141-349-089

Japan - Tel: +81-(0)3-3814-7688, Fax: +81-(0)3-3814-7689

World Wide Web - <http://www.ddc-web.com>



DATA DEVICE CORPORATION
REGISTERED TO ISO 9001:2000
FILE NO. A5976

PRINTED IN THE U.S.A.