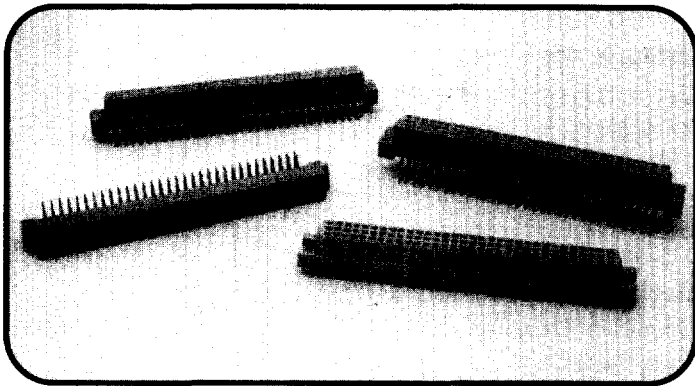


EURO-DIN CONNECTORS

MEDIN Series

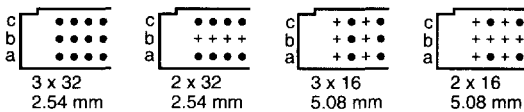
Standard Male and Female Type C Connectors



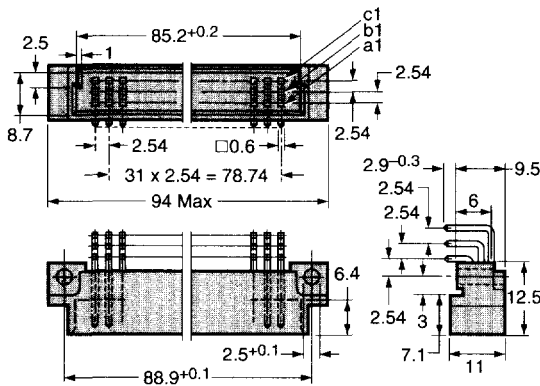
DIMENSIONS

Type C Male and Female

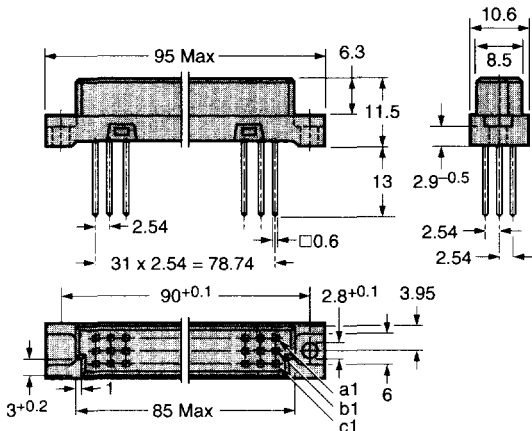
CONTACT ARRANGEMENTS



MALE



FEMALE



MAXCONN

Complying with DIN 41 612, IEC 603-2,
VG 95 324, MIL-C-55 302/131-134,
MIL-C-55 302/157-158

Performance Specifications

Materials and Finish

Moulding: PBT thermoplastic, gray color, 30% glass filled, self-extinguishing, 94V-0 rated

Contact Material:

Pin: Brass

Socket: Phosphor bronze

Contact Finish: Level I – 10 microinch gold, Level II – 30 microinch gold,
Level III – 60 microinch gold

Electrical Characteristics

Contact Current Rating: 2 amp at 70°C

High Voltage Test: 1kv

Contact Resistance: 20 milliohms maximum

Insulation Resistance: 50 megohms minimum

Temperature Rating: -65° C to + 140° C

Series	Number of Contacts	Equipped Series	Spacing
MEDIN 1296MC	96	a + b + c 3x32	2.54mm
MEDIN 1264MC	64	a + c 2x32	2.54mm
MEDIN 1248MC	48	a + b + c 3x16	5.08mm
MEDIN 1232MC	32	a + c 2x16	5.08mm
MEDIN 1296FC	96	a + b + c 3x32	2.54mm
MEDIN 1264FC	64	a + c 2x32	2.54mm
MEDIN 1248FC	48	a + b + c 3x16	5.08mm
MEDIN 1232FC	32	a + c 2x16	5.08mm

HOW TO ORDER— MALE TYPE C

MEDIN 1264MC - A - I

Series _____ Plating
1 - Level I
2 - Level II
3 - Level III

Contact Termination _____
A — Angled solder pin 2.9 mm

HOW TO ORDER — FEMALE TYPE C

MEDIN 1296FC - SP2 - I

Series _____ Plating
1 - Level I
2 - Level II
3 - Level III

Contact Termination _____
SP2 — Solder pin 2.5mm
SP4 — Solder pin 4.0mm
WW13 — Wire wrap 13.0mm